

# ARKIMEDE 60 - DECKING



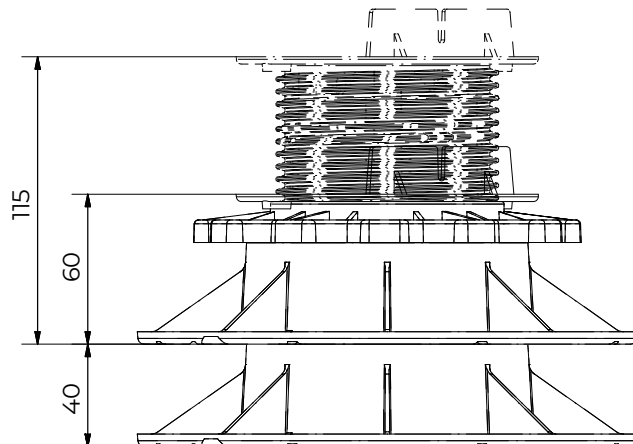
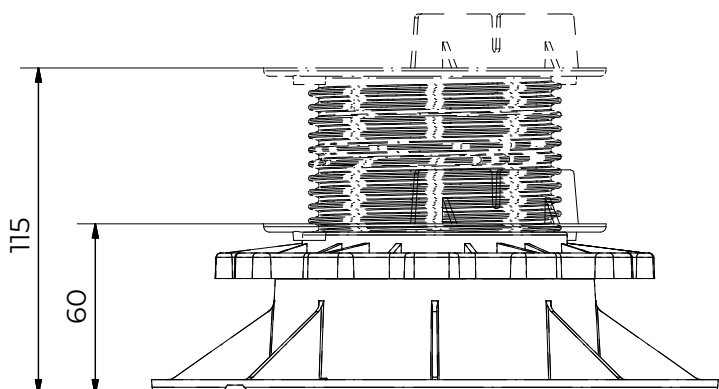
## INDEX

1. Code Registry
2. Description
3. Use
4. Fields of use
5. Load test
6. Technical specification

## 1. CODE REGISTRY

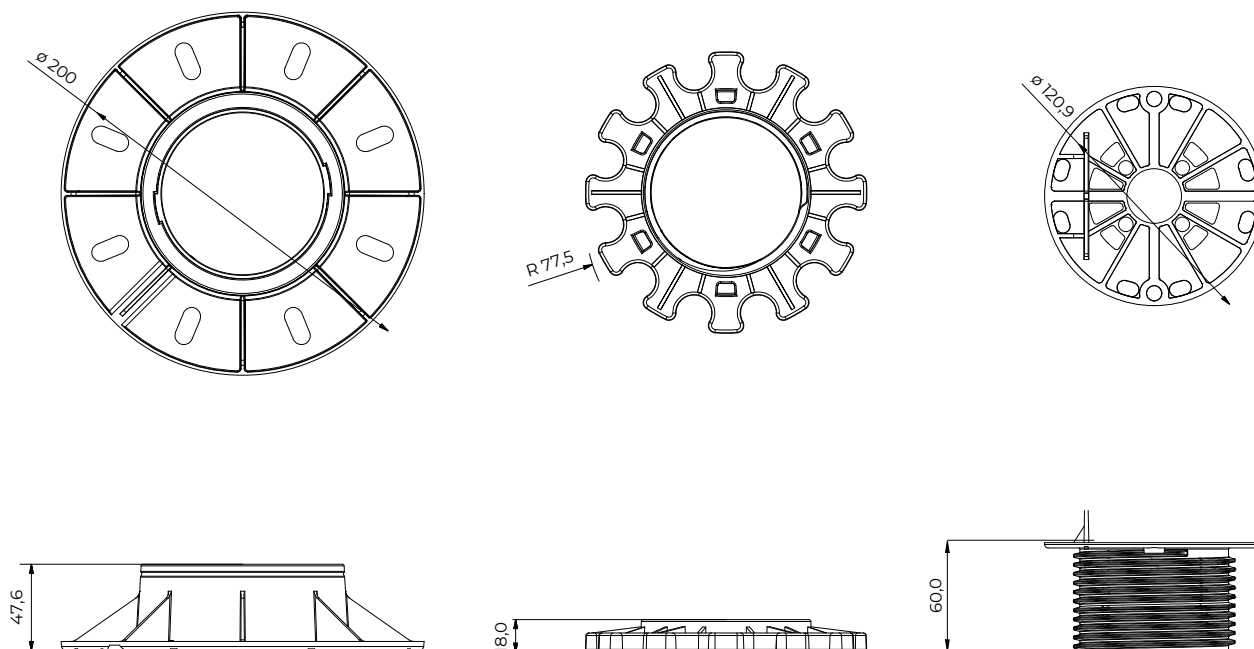
Code	Description	Dimension (mm)	Weight (kg)	Pkg. / Pallet
TER09-1163/1A	ARKIMEDE 60-Decking	from 60 to 115	0,24	30 pcs. / 450 pcs.

**MATERIAL** Made of PP (polypropylene).



Each base has a special bottom shape that allows to be stack on another base.

# ARKIMEDE 60 - DECKING



## 2. DESCRIPTION

Arkimede 60 support with adjustable height starting from 60 mm.  
Base laying surface: 314 cm<sup>2</sup>. Head diameter: 120 mm with a laying surface of 113 cm<sup>2</sup>.  
· Box composed by the base, rotating ring and head with 1 tab for joists.

The base allows the correct water drainage.  
· Extension h. 50 and 100 are available as an optional.

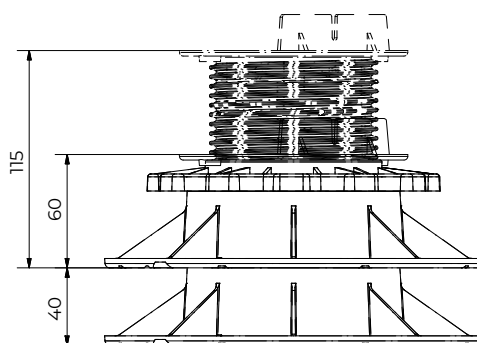
## 3. USE

Used in external areas, terraces, pavements.

Operating temperature: from - 40 ° C to + 80 ° C.

## 4. FIELDS OF USE

Waterproof membrane, hard insulating panels, screeds and solid and compact pose plans



**TER09-1163/1A**

**TER09-1163/P40**

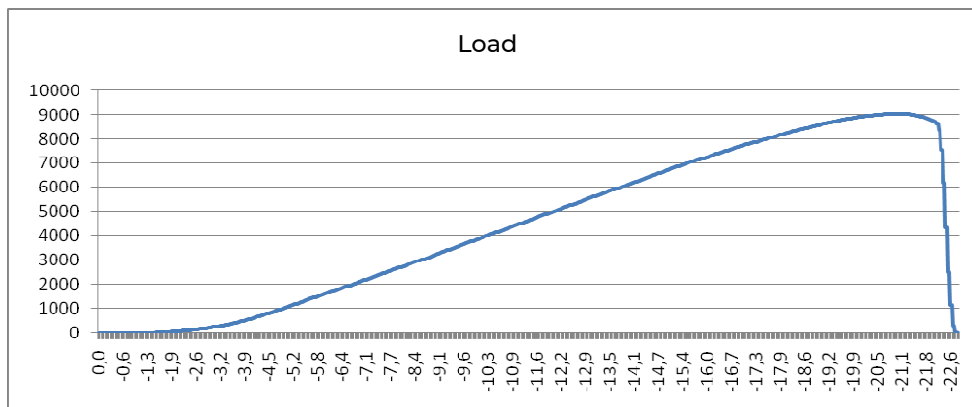
# ARKIMEDE 60 - DECKING

## 5. LOAD TEST

### TEST 1

Code	Dimension	Max. Load [N]
TER09-1163/1A	h = 1.120 mm	9.033

A punch of 150 mm diameter was used to carry out the test.

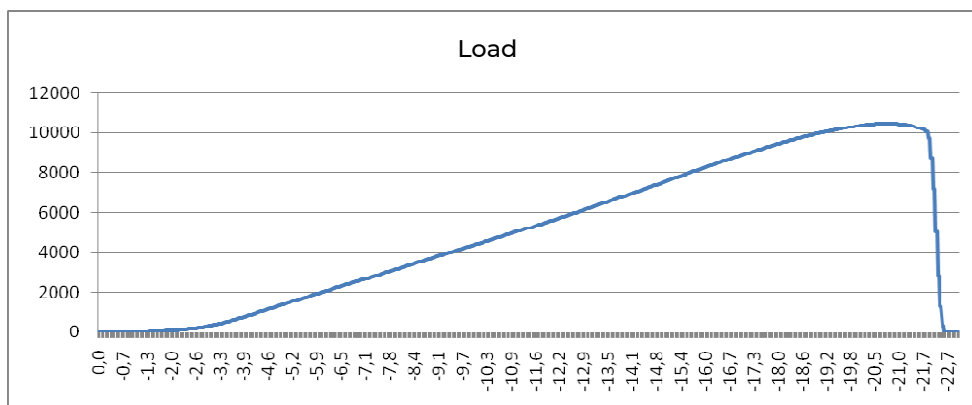


Maximum Load	9.033 N
Bend at Maximum Load	21,0 mm

### TEST 2

Code	Dimension	Max- Load [N]
TER09-1163/1A	h = 1.100 mm	10.467

A punch of 150 mm diameter was used to carry out the test.



Maximum Load	10.467 N
Bend at Maximum Load	20,7 mm

## 6. TECHNICAL SPECIFICATION

Specification	Description	Unity	Price
Dak.O.TER09-1163/x	Supply and installation of ARKIMEDE 60 - Decking support with adjustable height starting from 60 mm. Base laying surface: 314 cm². Head diameter: 120 mm with a laying surface of 113 cm². Available versions: · Box composed by the base, rotating nut and head with 1 tab for joists. The base allows the correct water drainage. Made of PP (polypropylene). Used in external areas, terraces, pavements.	pcs.	-
Dak.O.TER09-1163/1A	1 tab.....	pcs.	-