

# 4-WAY SIPHONED GULLY



## INDEX

1. Code Registry
2. Use
3. Technical Specification

## 1. CODE REGISTRY

Code	Description	Dimensions (mm)	Weight	Pkg. / Pallet
TER07-1345IT	Telescopic Gully (AISI 304 Stainless steel grating and frame)	115 x 115	0,400 kg/pc.	8 pcs / 80 pcs
TER07-1346IT	Telescopic Gully (AISI 304 Stainless steel grating and frame)	150 x 150	0,400 kg/pc.	8 pcs / 80 pcs

### MATERIAL

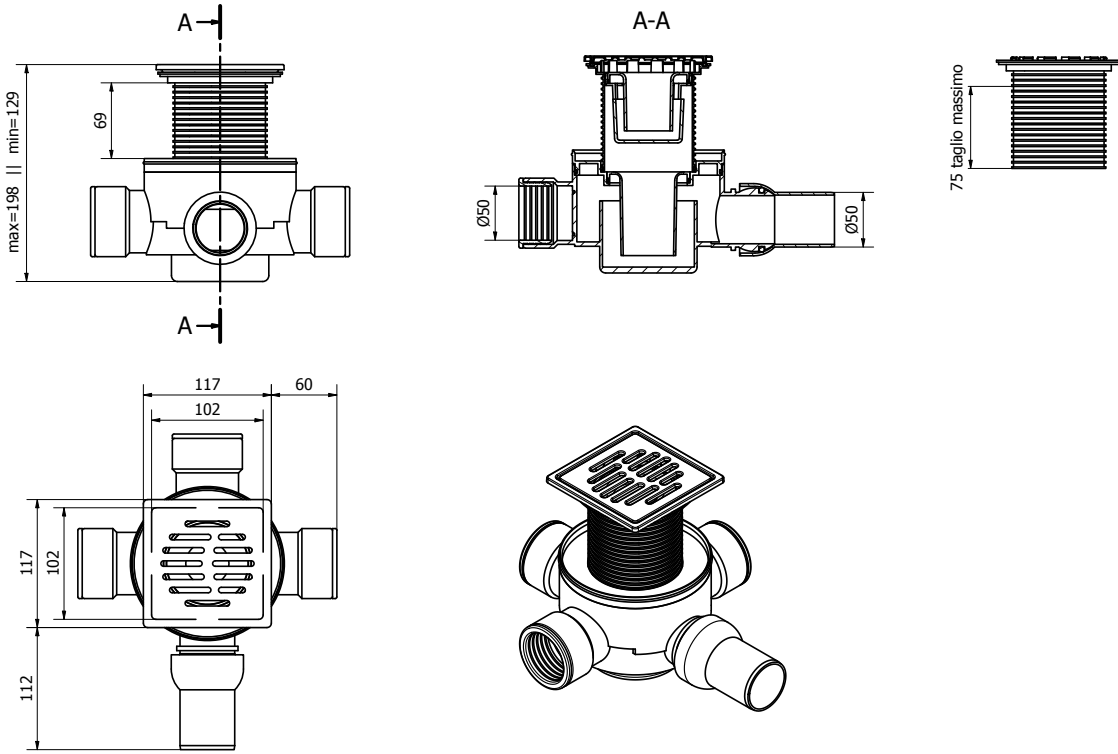
The gully is made of PP (polypropylene) whilst the telescopic element is in ABS.

## 2. USE

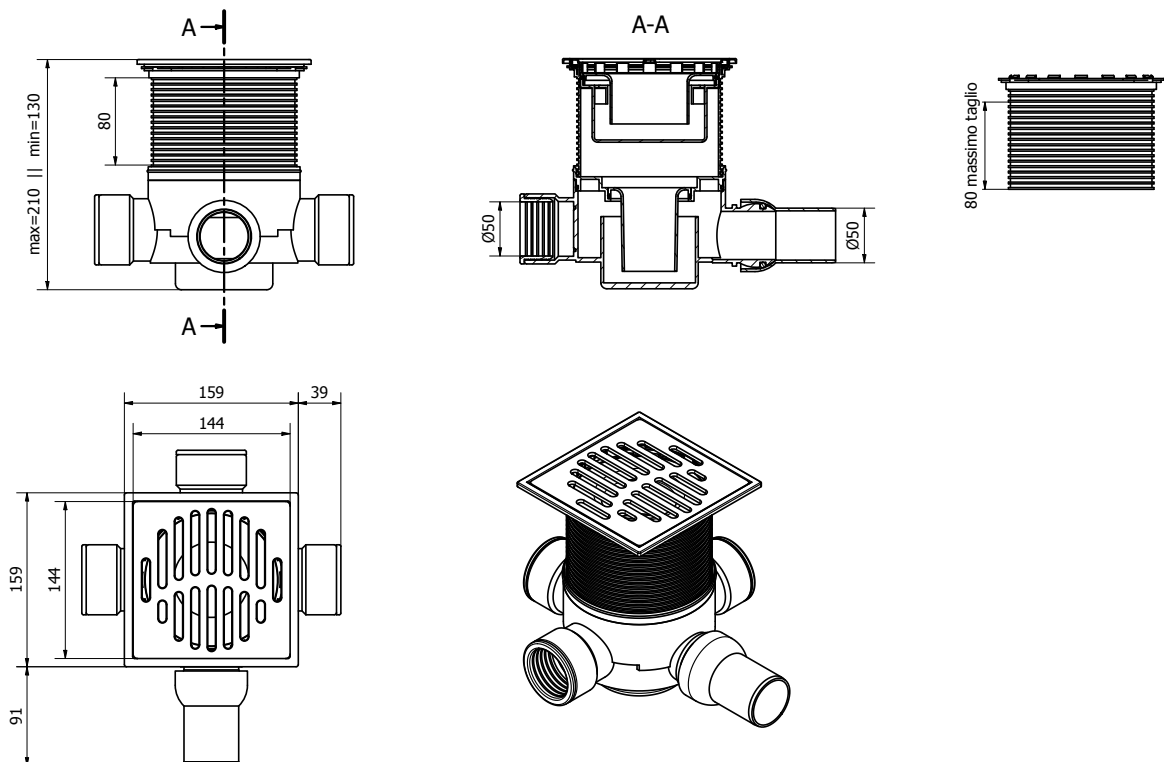
Used to guide the outlet pipes of sink to a single point, shower and bidet, in order to facilitate any inspection and/or access for cleaning.

# 4-WAY SIPHONED GULLY

TER07-1345IT



TER07-1346IT



# 4-WAY SIPHONED GULLY

## 3. TECHNICAL SPECIFICATION

Specification	Description	Unity	Price
<b>Dak.D.TER07.134xIT</b>	Supply and installation of "4-Way" siphoned gully, resistant to weathering and chemical agents. Consisting of 3 blind inlets, openable as needed and provided with a rubber seal. The fourth, the outlet, is provided with a bend joint. Available in telescopic version, with AISI 304 Stainless steel frame and grating. It is a patented product by Dakota. Outlet dimensions: internal 45 mm, external 50 mm. The gully is made of PP (polypropylene) whilst the telescopic element is in ABS. Used to guide the outlet pipes of sink to a single point, shower and bidet, in order to facilitate any inspection and/or access for cleaning.		
<b>Dak.D.TER07.1345IT</b>	Dimension 115 x 115 mm.....	pc.	-
<b>Dak.D.TER07.1346IT</b>	Dimension 150 x 150 mm.....	pc.	-