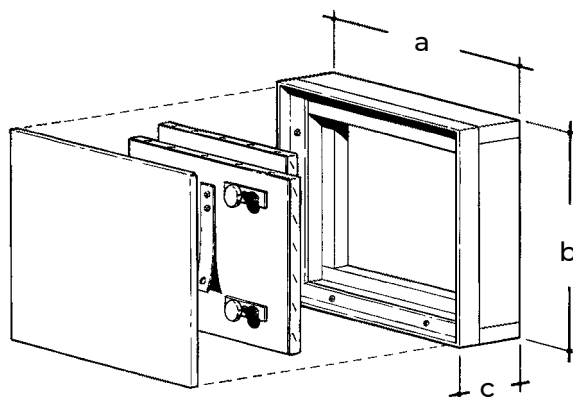


INSPECTION DOOR ALURAPID EI30, EI90



	a (nom)	b (nom)	c	
6520	300	300	44	mm
6522	400	400	44	mm
6524	500	500	44	mm
6526	600	600	44	mm
6528	600	800	44	mm
6530	600	1.000	44	mm
6331	300	300	69	mm
6332	400	400	69	mm
6348	500	500	69	mm
6349	600	600	69	mm
6351	600	800	69	mm
6352	600	1.000	69	mm

INDEX

1. Code registry
2. Use
3. Technical specification

1. CODE REGISTRY

Code	Description	Dimensions (mm)	Dimensions clean (mm)	Pkg. / Pallet	Weight
GAN01-6520	AluRapid F30/EI30 with fire flame retardant	300 x 300	200 x 200	1 pc. / 15 pcs.	3,70 Kg/pc.
GAN01-6522	AluRapid F30/EI30 with fire flame retardant	400 x 400	300 x 300	1 pc. / 12 pcs.	6,30 Kg/pc.
GAN01-6524	AluRapid F30/EI30 with fire flame retardant	500 x 500	400 x 400	1 pc. / 9 pcs.	8,70 Kg/pc.
GAN01-6526	AluRapid F30/EI30 with fire flame retardant	600 x 600	500 x 500	1 pc. / 7 pcs.	12,70 Kg/pc.
GAN01-6528	AluRapid F30/EI30 with fire flame retardant	600 x 800	500 x 700	1 pc. / 8 pcs.	15,60 Kg/pc.
GAN01-6530	AluRapid F30/EI30 with fire flame retardant	600 x 1.000	500 x 900	1 pc. / 8 pcs.	19,60 Kg/pc.
GAN01-6540	AluRapid EI90 with fire flame retardant	300 x 300	200 x 200	1 pc. / 15 pcs.	6,60 Kg/pc.
GAN01-6542	AluRapid EI90 with fire flame retardant	400 x 400	300 x 300	1 pc. / 12 pcs.	10,90 Kg/pc.
GAN01-6544	AluRapid EI90 with fire flame retardant	500 x 500	400 x 400	1 pc. / 9 pcs.	15,90 Kg/pc.
GAN01-6546	AluRapid EI90 with fire flame retardant	600 x 600	500 x 500	1 pc. / 7 pcs.	22,20 Kg/pc.
GAN01-6548	AluRapid EI90 with fire flame retardant	600 x 800	500 x 700	1 pc. / 7 pcs.	28,50 Kg/pc.
GAN01-6550	AluRapid EI90 with fire flame retardant	600 x 1.000	500 x 900	1 pc. / 7 pcs.	33,20 Kg/pc.

MATERIAL CERTIFICATION

Aluminum frame, plasterboard panel and fire resistant protection.



2. USE

Used in crawl spaces and walls with fire protection F30/EI30 and EI90 (E = aptitude to block or produce flames, vapors or hot gases on the exposed side; I = aptitude to reduce heat transmission.)

INSPECTION DOOR ALURAPID EI30, EI120

3. TECHNICAL SPECIFICATION

Specification	Description	Unity	Price
Dak.B.GAN01.65xx	Supply and installation of fire resistant 30/90 minute inspection hatch (F30/E90 and F120/EI90), with automatic fire closure with handgrip for ease of use. Easy and quick mounting both in key structural walls and not. Individually packed in boxes. Aluminum frame, plasterboard panel and fire resistant protection. Used in crawl spaces and walls with fire protection EI30 and EI90 (E = aptitude to block or produce flames, vapors or hot gases on the exposed side; I = aptitude to reduce heat transmission.)		
Dak.B.GAN01.6520	Dimensions 300 x 300 mm - EI30.....	pc.	-
Dak.B.GAN01.6522	Dimensions 400 x 400 mm - EI30.....	pc.	-
Dak.B.GAN01.6524	Dimensions 500 x 500 mm - EI30.....	pc.	-
Dak.B.GAN01.6526	Dimensions 600 x 600 mm - EI30.....	pc.	-
Dak.B.GAN01.6528	Dimensions 600 x 800 mm - EI30.....	pc.	-
Dak.B.GAN01.6530	Dimensions 600 x 1.000 mm - EI30.....	pc.	-
Dak.B.GAN01.6540F120	Dimensions 300 x 300 mm - EI90.....	pc.	-
Dak.B.GAN01.6542F120	Dimensions 400 x 400 mm - EI90.....	pc.	-
Dak.B.GAN01.6544F120	Dimensions 500 x 500 mm - EI90.....	pc.	-
Dak.B.GAN01.6546F120	Dimensions 600 x 600 mm - EI90.....	pc.	-
Dak.B.GAN01.6548F120	Dimensions 600 x 800 mm - EI90.....	pc.	-
Dak.B.GAN01.6550F120	Dimensions 600 x 1.000 mm - EI90.....	pc.	-