

DRAINING WATER OUTLET "SHORT"



INDEX

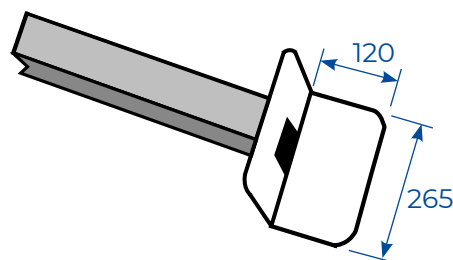
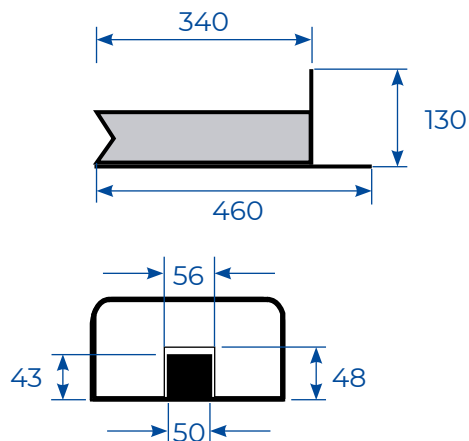
1. Code Registry
2. Use
3. Technical Specification

1. CODE REGISTRY

Code	Description	Dimension (mm)	Colour	Weight	Pkg. / Pallet
BOC02-1118	Draining water outlet "Short"	48 x 56	Black	0,300 kg/pc.	20 pcs. / 240 pcs.

MATERIAL

Made of TPE (thermoplastic elastomer).

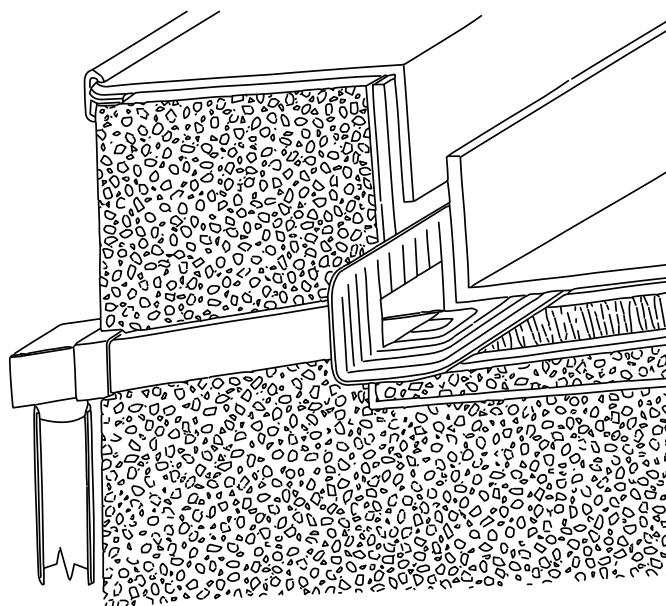


DRAINING WATER OUTLET “SHORT”

2. USE

Used for the complete evacuation of rainwater in roof.

- Apply a coat of primer in the area around the hole.
- Apply a first layer of cover membrane.
- Insert the plug in the hole and mark the point in which it must be cut.
- Heat the surface of the waterproof membrane, then adhere to the outlet flange.
- Heat a small piece of membrane. Spread with a spatula on the flange to enable the pipe to adhere to the cover membrane.
- Apply a second waterproofing layer, heating the bitumen, after covering both the flange and the membrane.



3. TECHNICAL SPECIFICATION

Specification	Description	Unity	Price
Dak.O.BOC02.1118	Supply and installation of draining outlet consists of a flange corner and a tube of square shape 48 x 56 mm and long 345 mm. Made of TPE (thermoplastic elastomer). Used for the complete evacuation of rainwater in roof.	pc.	-