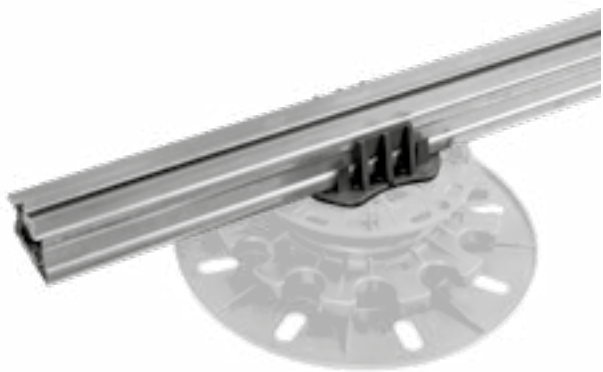


STEEL JOIST AND ADAPTER



INDEX

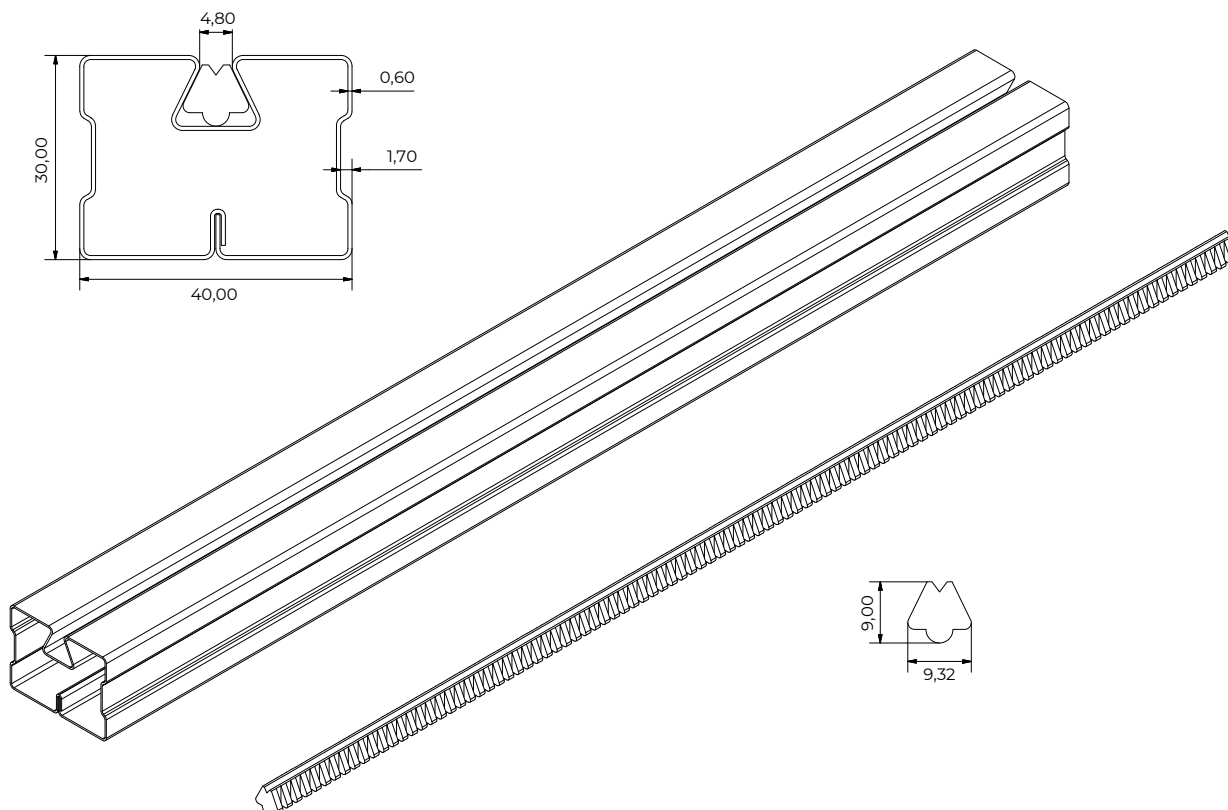
1. Code Registry
2. Use
3. Technical Specification

1. CODE REGISTRY

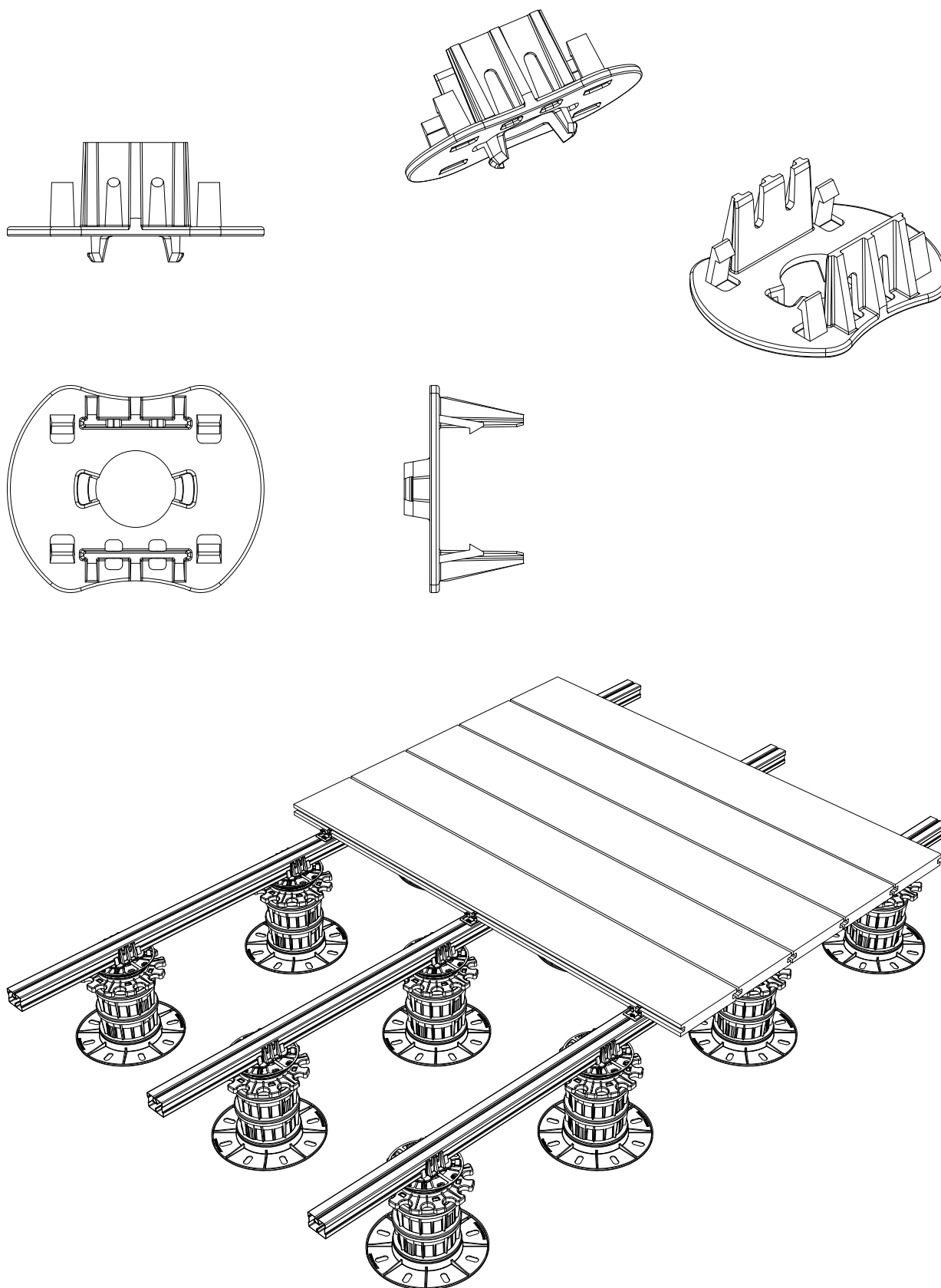
Code	Description	Dimension (mm)	Weight	Pkg. / Pallet
TER09-1149ZM2	Steel Joist	40 x 30 x 2.000	- kg/pc.	30 pcs. / 750 pcs.
TER09-1151	Adapter for Steel Joist	-	- kg/pc.	30 pcs. / 6.000 pcs.
MIN01-5200P	Fixala - Black phosphate bugle head self screwing screws - nail tip screw and adapter	ø 3,5 x 25	- kg/pc.	1.000 pcs. / 384.000 pcs.

MATERIAL

The adapter is made of PP (polypropylene) and the joist is made of Galvanized Steel.



STEEL JOIST AND ADAPTER



STEEL JOIST AND ADAPTER

2. USE

This Kit allows the making of a supporting structure for the laying of outdoor decking.
It is suggested to place the Arkimede support every 50 cm.

3. TECHNICAL SPECIFICATION

Specification	Description	Unity	Price
Dak.O.TER09-11xx	Supply and installation of Galvanized Steel Joist (2 m lenght) and plastic adapter for Arkimede Line supports. This Kit allows the making of a supporting structure for the laying of outdoor decking. The adapter is made of PP (polypropylene) and the joist is made of Galvanized Steel. This Kit allows the making of a supporting structure for the laying of outdoor decking. It is suggested to place the Arkimede support every 50 cm.		
Dak.O.TER09-1149	pc.	-
Dak.O.TER09-1151	pc.	-