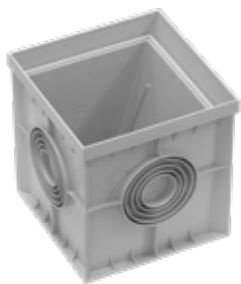


STANDARD CATCH-PIT



INDEX

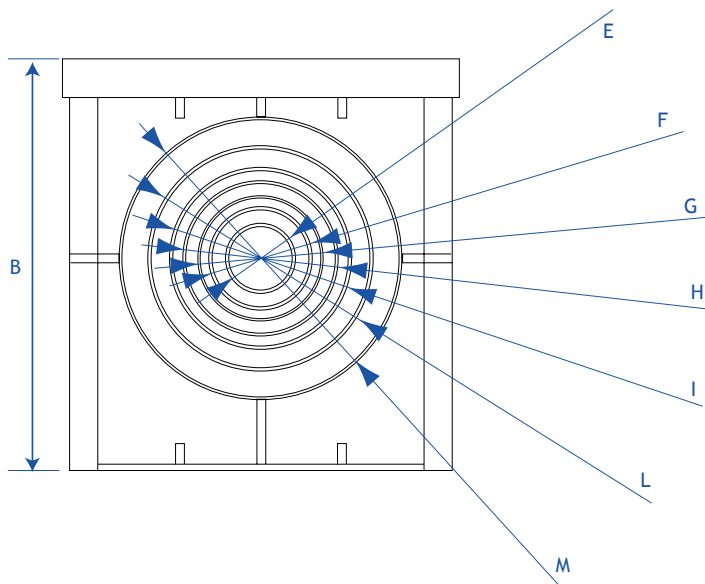
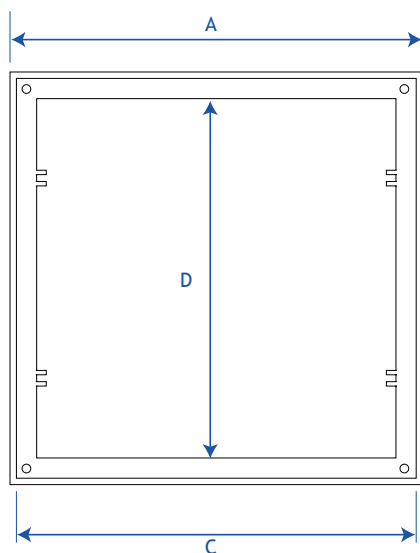
1. Code registry
2. Use
3. Technical specification

1. CODE REGISTRY

Code	Description	Dimensions (mm)	Weight	Colour	Pkg. / Pallet
POZ01-1372E	Catch-Pit Standard	200 x 200	0,495 kg/pc.	Grey	1 pc. / 180 pcs
POZ01-1373E	Catch-Pit Standard	300 x 300	1,390 kg/pc.	Grey	1 pc. / 64 pcs

MATERIAL

Made of PP (polypropylene).



	A	B	C	D	E	F	G	H	I	WEIGHT KG
POZ01-1372E	193	200	188	162	63	80	100			0,495
POZ01-1373E	292	296	286	252		80	100	125	140	1,390

STANDARD CATCH-PIT

2. USE

It is used as an alternative to traditional concrete manholes.



3. TECHNICAL SPECIFICATION

Specification	Description	Unity	Price
Dak.D.POZ01.137xE	Supply and installation of catch-pit monolithic standard. It is available in 2 sizes, from 200 x 200 and 300 x 300 mm, grey colour. Main characteristics: · Light weight for easy transport, positioning and installation, even by a single person; · High resistance, thanks to the reinforcements and ribs on the sides; · Pipes of every sizes can easily fit thanks to the special precutted concentric shape of the holes on the sides. Compatible with relative PP catch-pit cover. Made of PP (polypropylene). It is used as an alternative to traditional concrete manholes.		
Dak.D.POZ01.1372E	Dimension 200 x 200 mm.....	pc.	-
Dak.D.POZ01.1373E	Dimension 300 x 300 mm.....	pc.	-