

PVC DRAINING WATER OUTLET



INDEX

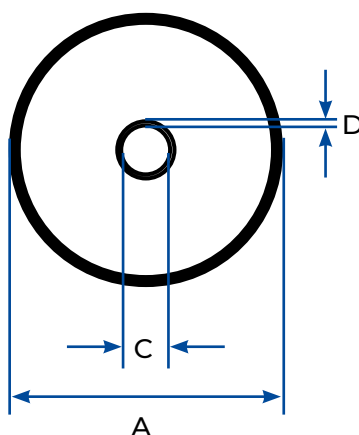
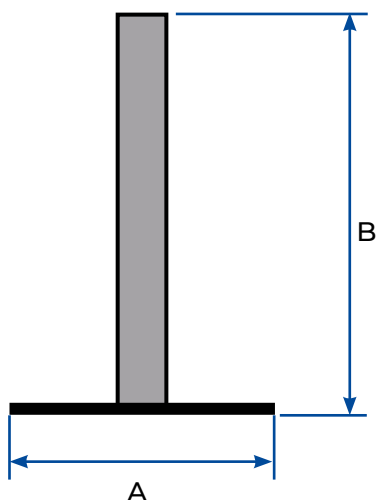
1. Code Registry
2. Use
3. Technical Specification

1. CODE REGISTRY

Code	Description	Dimension (mm)	Colour	Weight	Pkg. / Pallet
BOC05-1110P	PVC Draining water outlet	ø 80	White - RAL 9002	0,270 kg/pcs.	25 pcs. / 300 pcs.
BOC05-1111P	PVC Draining water outlet	ø 100	White - RAL 9002	0,300 kg/pcs.	25 pcs. / 300 pcs.
BOC05-1111SP	PVC Draining water outlet	ø 110	White - RAL 9002	0,330 kg/pcs.	25 pcs. / 350 pcs.
BOC05-1112P	PVC Draining water outlet	ø 120	White - RAL 9002	0,300 kg/pcs.	18 pcs. / 216 pcs.

MATERIAL

Made of PVC (RAL 9002)

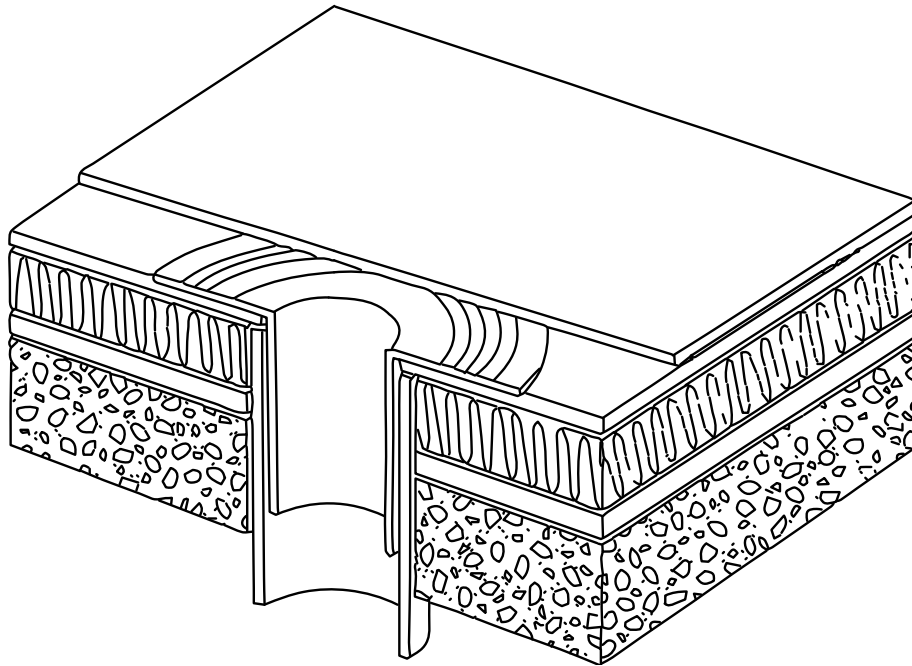


DESCRIPTION	A	B	C	D
BOC05-1110F	280	240	80	5
BOC05-1111F	300	240	100	5
BOC05-1111SF	320	240	110	5
BOC05-1112F	320	240	120	5

PVC DRAINING WATER OUTLET

2. USE

Used for vertical evacuation of rainwater in flat roofs.



3. TECHNICAL SPECIFICATION

Specification	Description	Unity	Price
Dak.O.BOC05.110xP	Supply and installation of draining water consists in a flange and a tube to 240 mm length and variable diameter 80, 100, 110 and 125 mm. Made of PVC (RAL 9002). Used for vertical evacuation of rainwater in flat roofs.		
Dak.O.BOC05.1110P	Dimension \varnothing 80 mm.....	pc.	-
Dak.O.BOC05.1111P	Dimension \varnothing 100 mm.....	pc.	-
Dak.O.BOC05.1111SP	Dimension \varnothing 110 mm.....	pc.	-
Dak.O.BOC05.1112P	Dimension \varnothing 120 mm.....	pc.	-