

# FENSTRO



## INDICE

1. Code registry
2. Description
3. Use
4. Laying instructions
5. Features
6. Details
7. Technical specification

## 1. CODE REGISTRY

Code	Description	Measure (mm)	Weight	Pkg / Pallet
ROOF3-4040	FENSTRO	450 x 550	11,5 kg/pc.	1 pc. / 11 pc.
ROOF3-4041	FENSTRO	450 x 730	13,7 kg/pc.	1 pc. / 11 pc.
ROOF3-4042	FENSTRO	480 x 900	16,5 kg/pc.	1 pc. / 10 pc.
ROOF3-4044	FENSTRO - side opening only	850 x 850	17,0 kg/pc.	1 pc. / 6 pc.
ROOF3-4043	FENSTRO - only opening upwards	900 x 480	13,0 kg/pc.	1 pc. / 10 pc.

### MATERIAL

Made with a chassis in a treated Nordic pine, aluminum swing, integrated fitting, 3-8-3 mm insulating glass and steel handle. Gray (RAL 7043).

## 2. DESCRIPTION

Versatile skylight Installation in roofs with inclination from 15 ° to 60 °.  
Each model can be installed both with lateral opening and upwards, with the exception of:

- ROOF3-4044 size 85 x 85 mm, side opening only
- roof3-4043 size 90 x 48 mm, only opening upwards

Measure 85 x 85 is also complete with the anti-tip system o

## 3. USE

Used in attics, hallways and/or transit rooms.  
**Product should only be used in non-dwelling rooms**



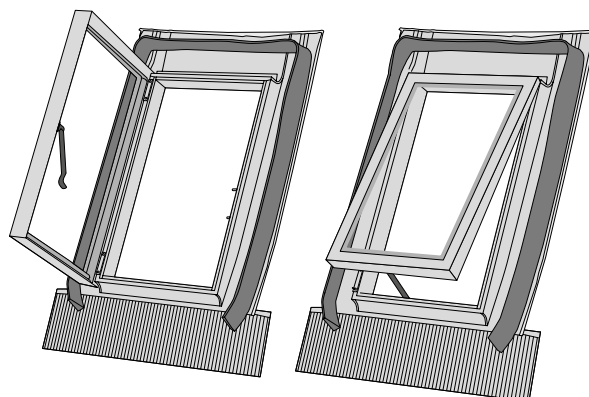
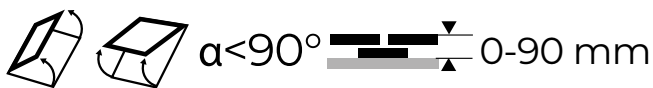
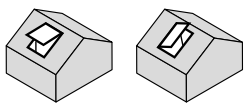
### The best skylight on the market:

The impregnated Nordic pine frame, aluminum sash, integrated fitting and steel handle are distinctive features for this product.

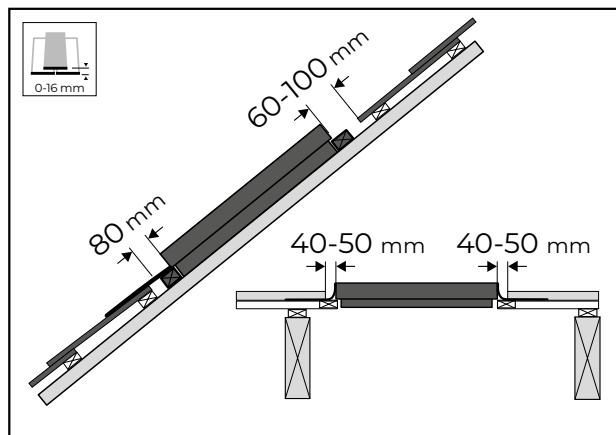
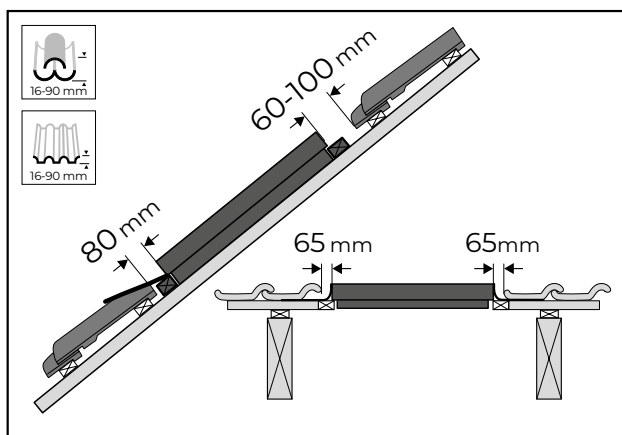
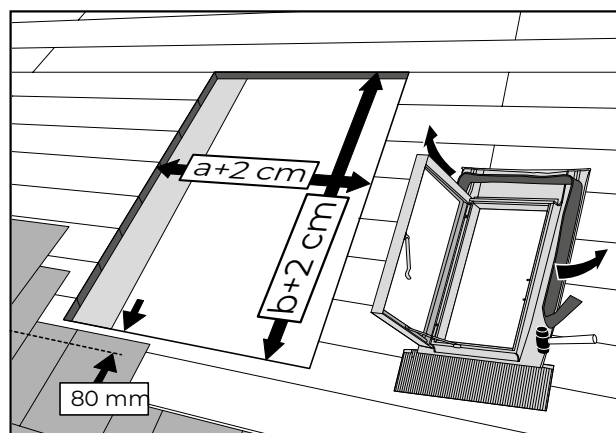
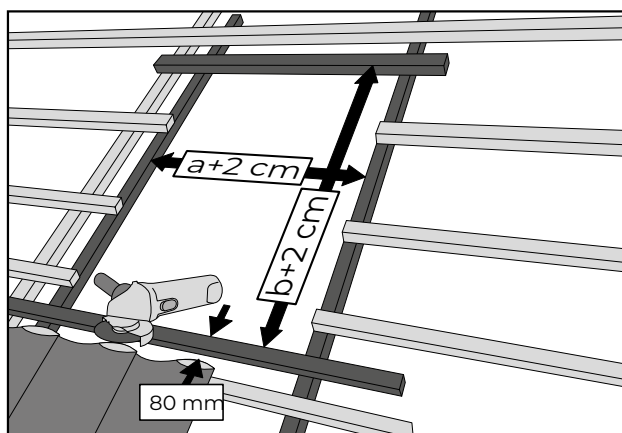
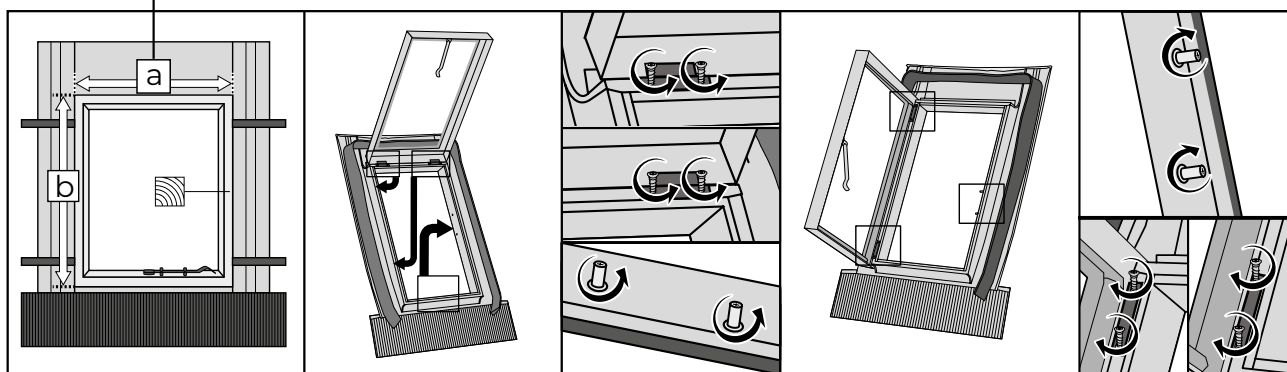
# FENSTRO

## 4. LAYING INSTRUCTIONS

ROOF3-4040 / ROOF3-4041 / ROOF3-4042

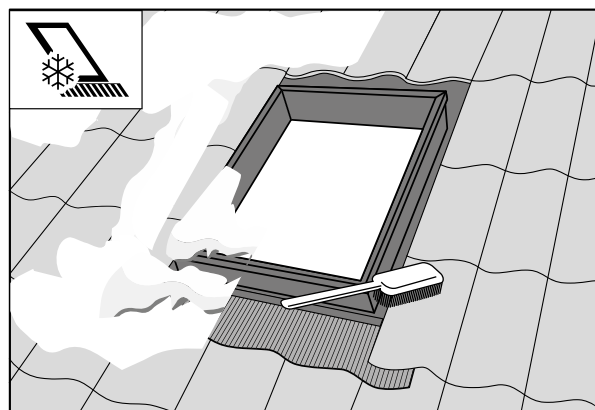
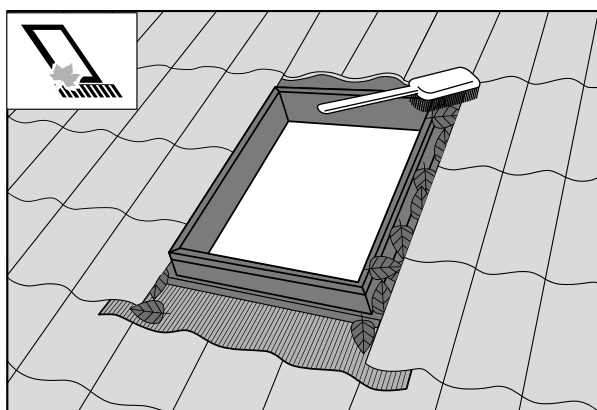
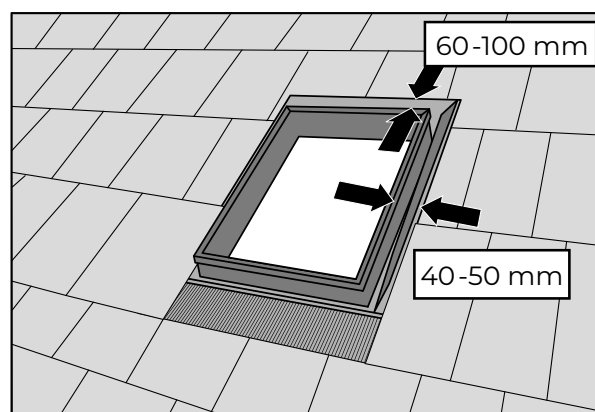
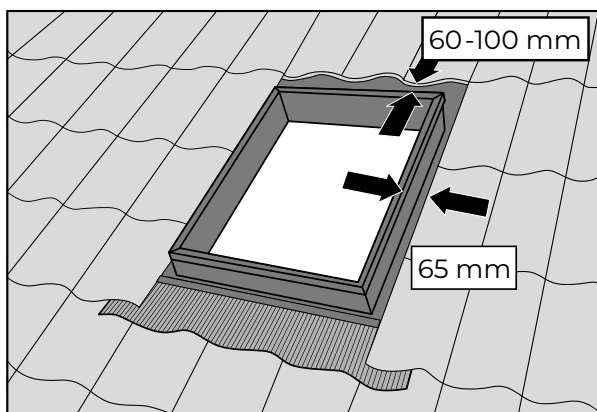
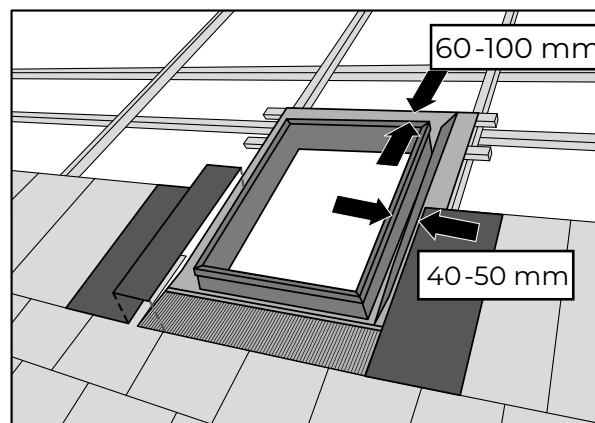
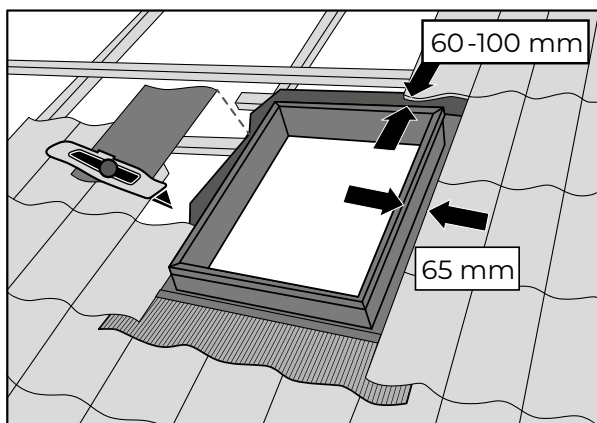
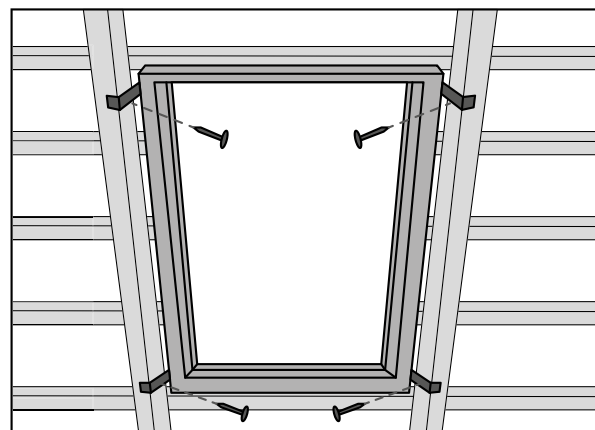
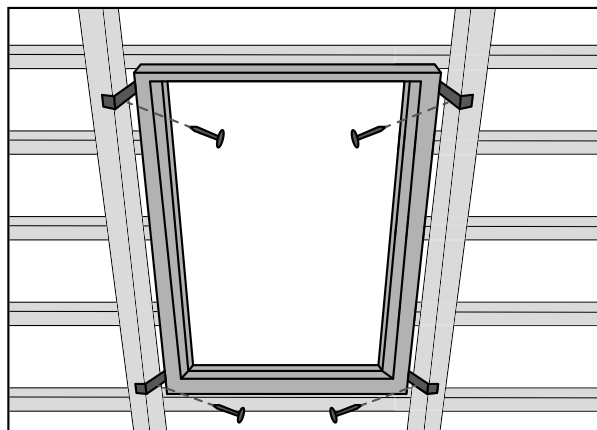


$a > 800\text{mm}$	=		15-45°
$a < 800\text{mm}$	=		15-60°



# FENSTRO

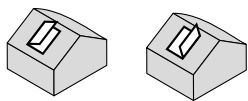
ROOF3-4040 / ROOF3-4041 / ROOF3-4042



# FENSTRO

## 4. LAYING INSTRUCTIONS

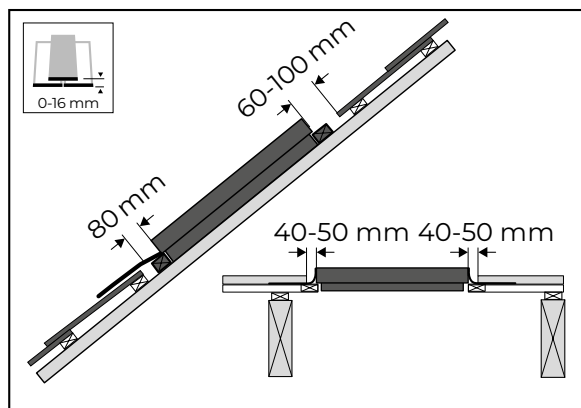
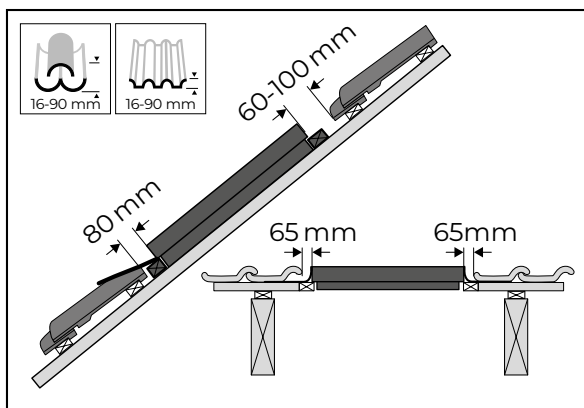
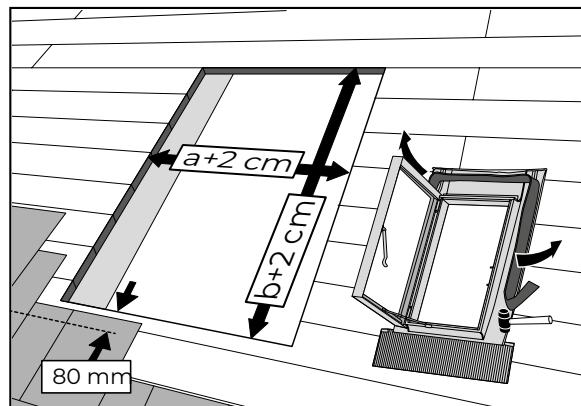
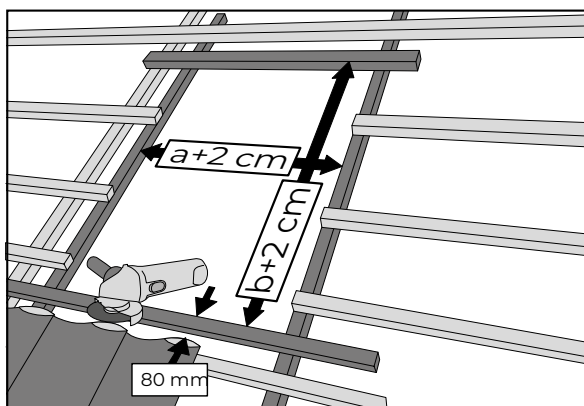
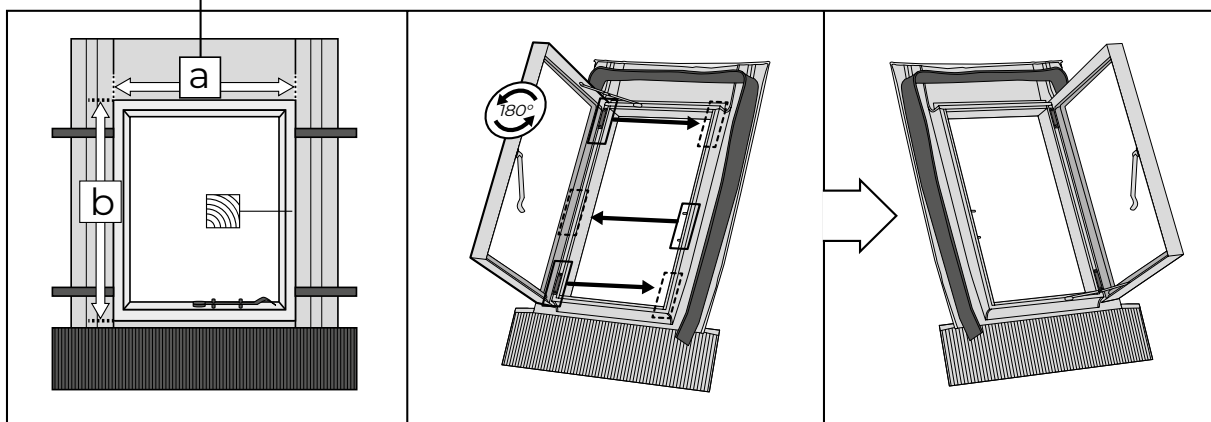
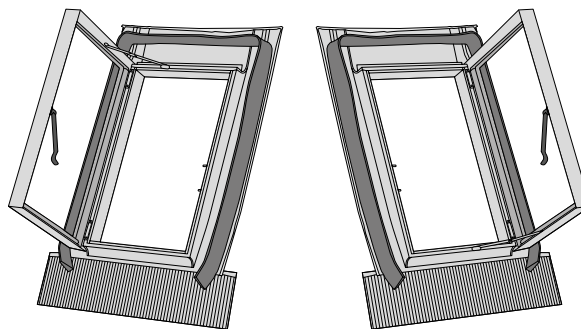
ROOF3-4044 - side opening only



0-90 mm

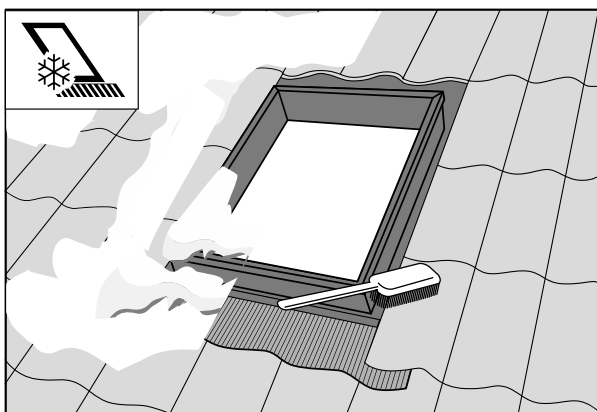
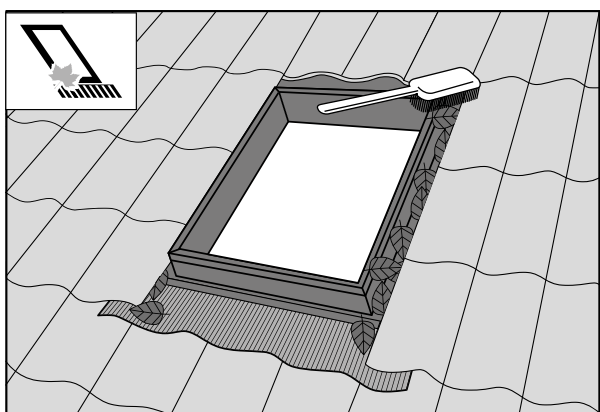
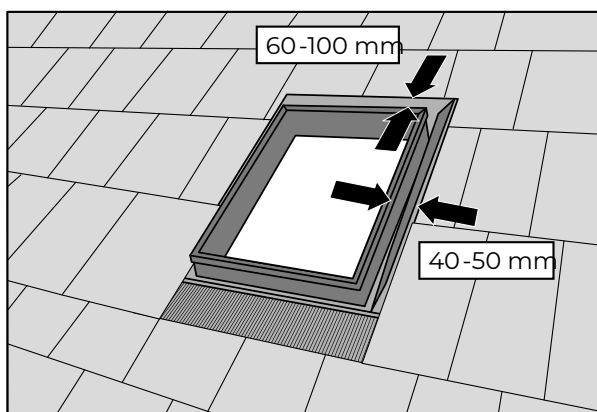
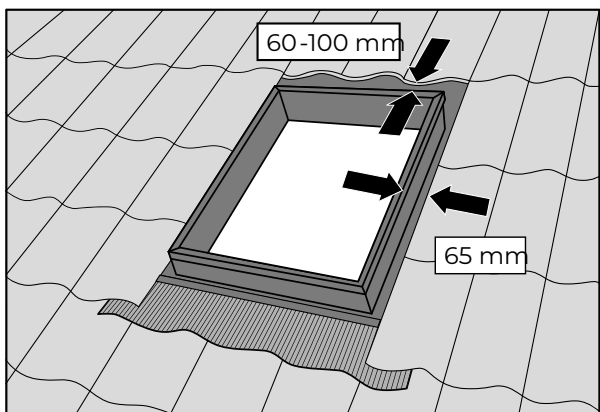
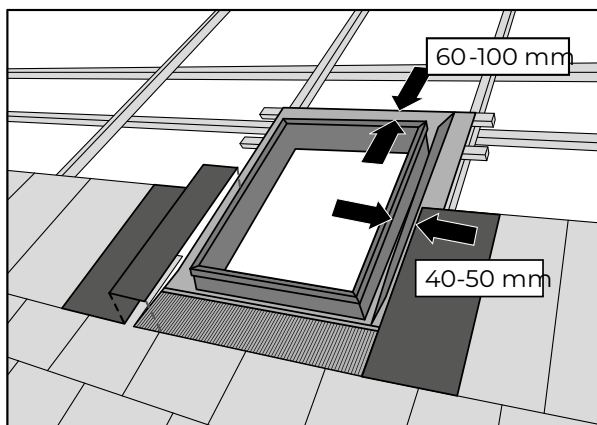
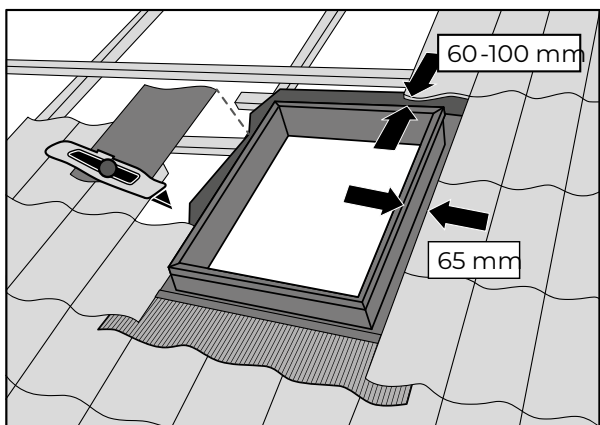
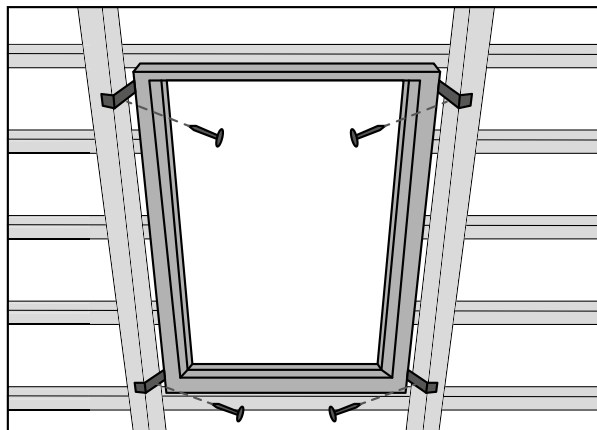
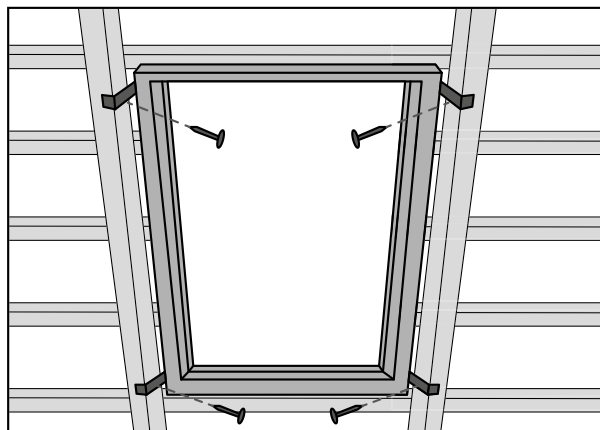
$a > 800\text{mm} =$  15-45°

$a < 800\text{mm} =$  15-60°



# FENSTRO

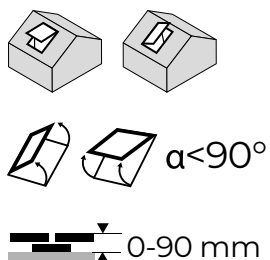
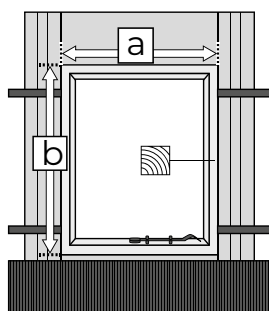
ROOF3-4044 - side opening only



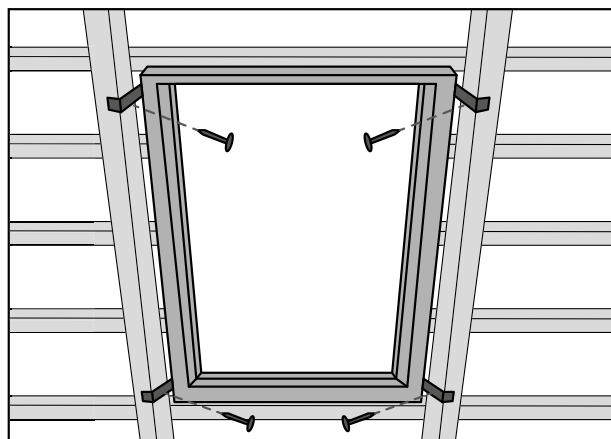
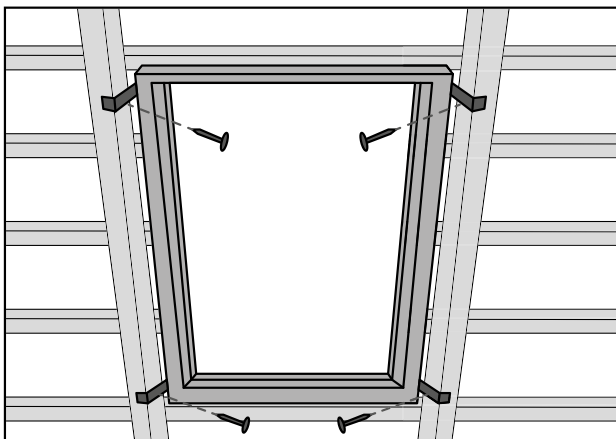
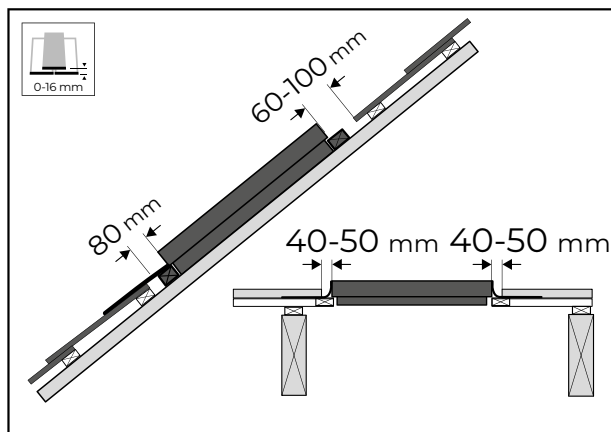
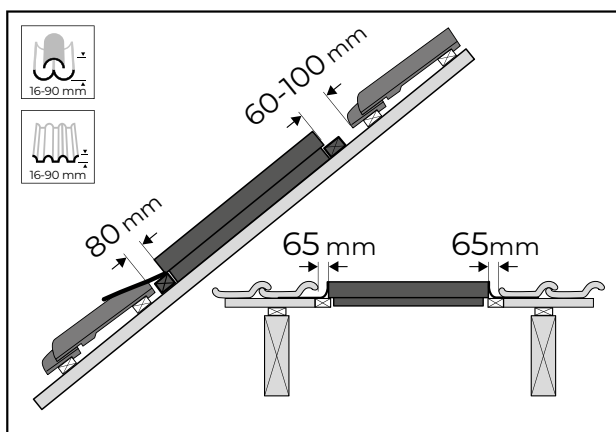
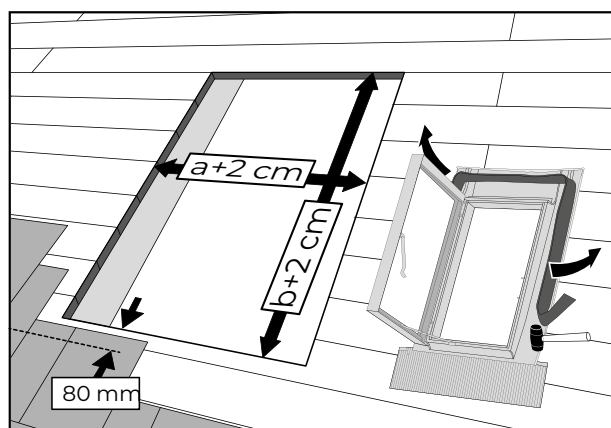
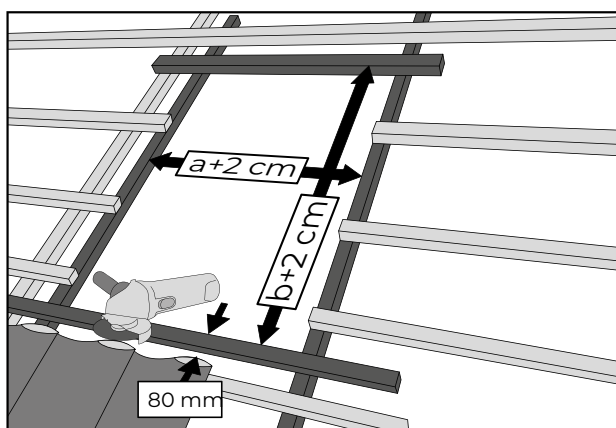
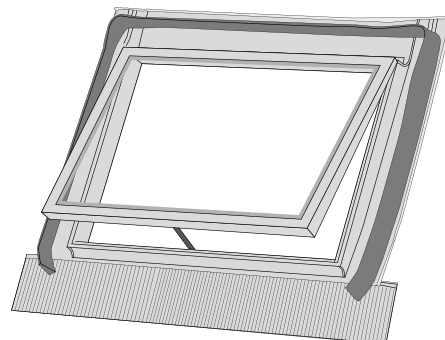
# FENSTRO

## 4. LAYING INSTRUCTIONS

ROOF3-4043 - only opening upwards



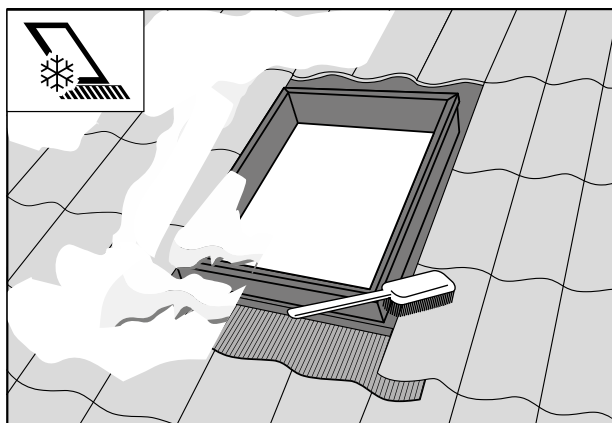
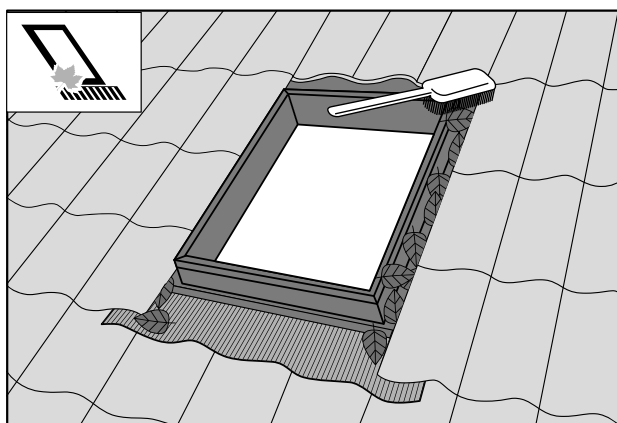
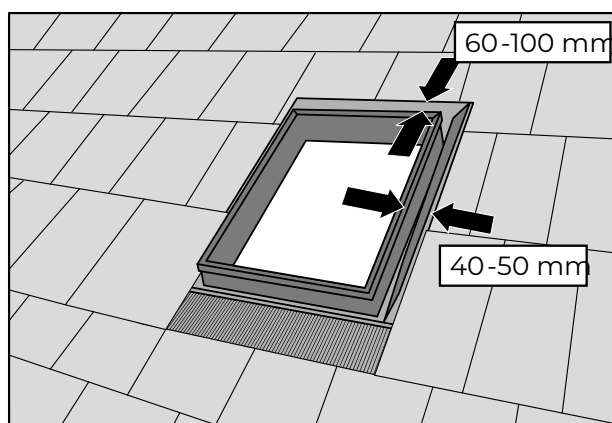
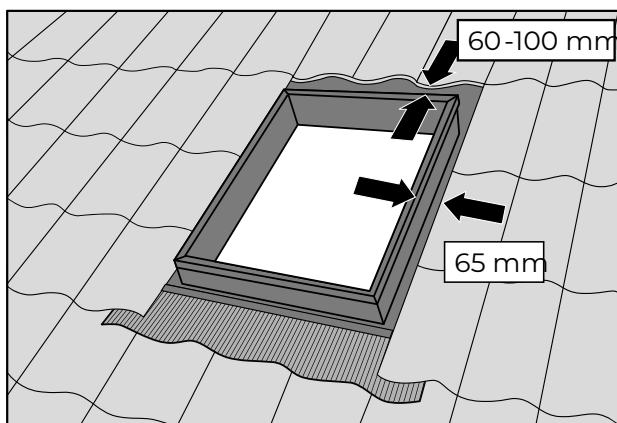
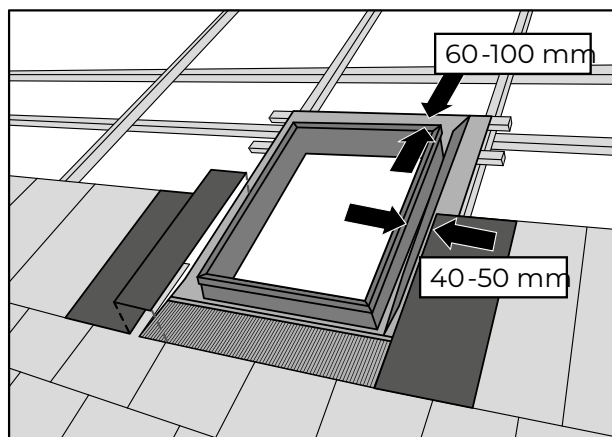
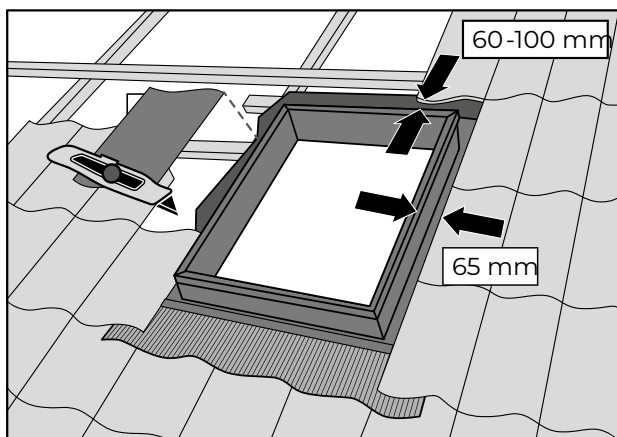
0-90 mm



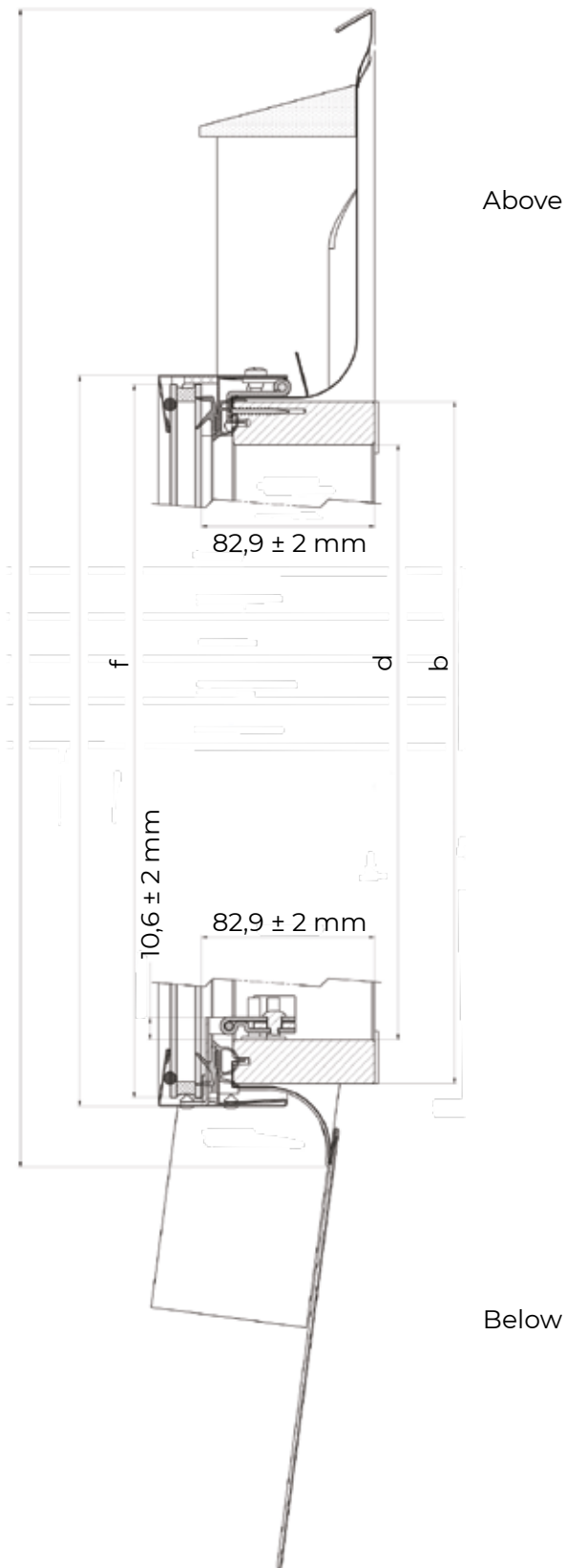


# FENSTRO

ROOF3-4043 - only opening upwards



# FENSTRO



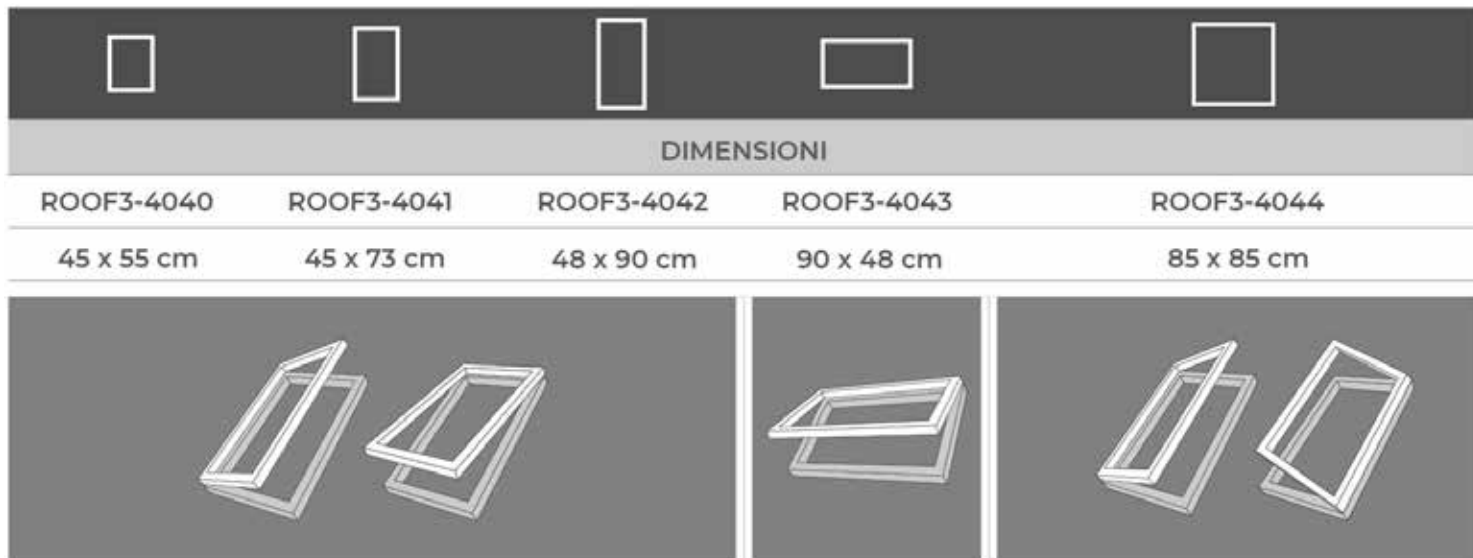
Above

Below

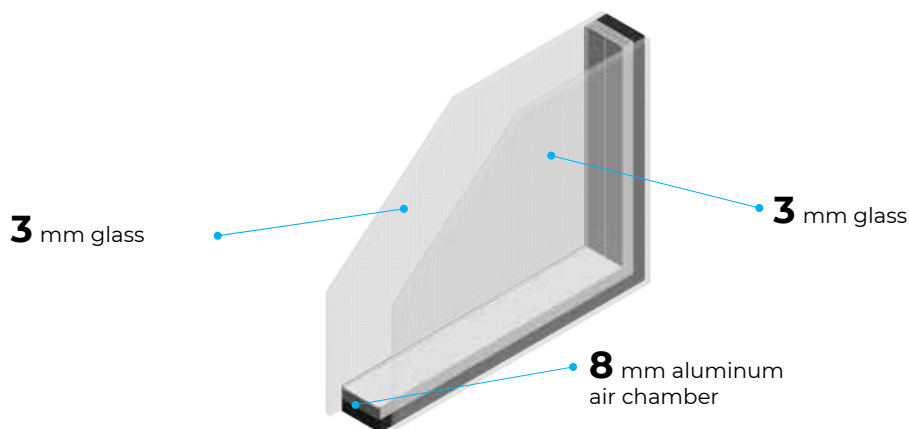


# FENSTRO

## 5. FEATURES



Code	Nominal Dimensions	Outer Frame		Inside Frame		Effective Glass		
		A	B	C	D	E	F	Area (m <sup>2</sup> )
ROOF3-4040	450 x 550	466	565	408	508	412	511	0,211
ROOF3-4041	450 x 730	466	745	408	688	412	691	0,285
ROOF3-4042	480 x 900	496	915	438	858	442	861	0,381
ROOF3-4044	850 x 850	866	865	808	808	812	811	0,659
ROOF3-4043	900 x 480	916	495	858	438	862	441	0,380



# FENSTRO

## 6. DETAILS - INSULATORS



The perimeter rubber seals guarantee a perfect closure and absolutely waterproof.



Superior waterproofing: the skylight has been subjected to rigorous waterproofing tests with consistently positive results. The sash's rubber gasket, integrated lead flashing and foam gaskets help prevent water infiltration into the attic.

## - HANDLE



The particular handle system offers the possibility of having 2 opening positions for ventilation; the handle does not protrude into the compartment and always remains in the space of the frame.

## - CHOISE OF OPENING



Possibility of choosing the direction of opening.  
The window is supplied hinged at the top, but can be easily modified (even on construction site) for folding opening.



## 7. TECHNICAL SPECIFICATION

Item	Description	Unit	Price
<b>Dak.R.ROOF3.404x</b>	Supply and installation of versatile skylight that allows to decide the direction of opening, swinging or folding, even during the installation phase. The code 4043 allows an outward projecting opening. Made with nordic pine treated frame, aluminum knocker, integrated fitting, insulating glass 3-8-3 mm and steel handle. Used in attics, also intended for residential use or insisting on rooms of disengagement and/or passage.		
<b>Dak.R.ROOF3.4040</b>	Dimensions 450 x 550 mm.....	pc.	-
<b>Dak.R.ROOF3.4041</b>	Dimensioni 450 x 730 mm.....	pc.	-
<b>Dak.R.ROOF3.4042</b>	Dimensioni 480 x 900 mm.....	pc.	-
<b>Dak.R.ROOF3.4044</b>	Dimensioni 850 x 850 mm con sistema antiribaltamento.....	pc.	-
<b>Dak.R.ROOF3.4043</b>	Dimensioni 900 x 480 mm.....	pc.	-