

ARKIMEDE 10 - PAVING



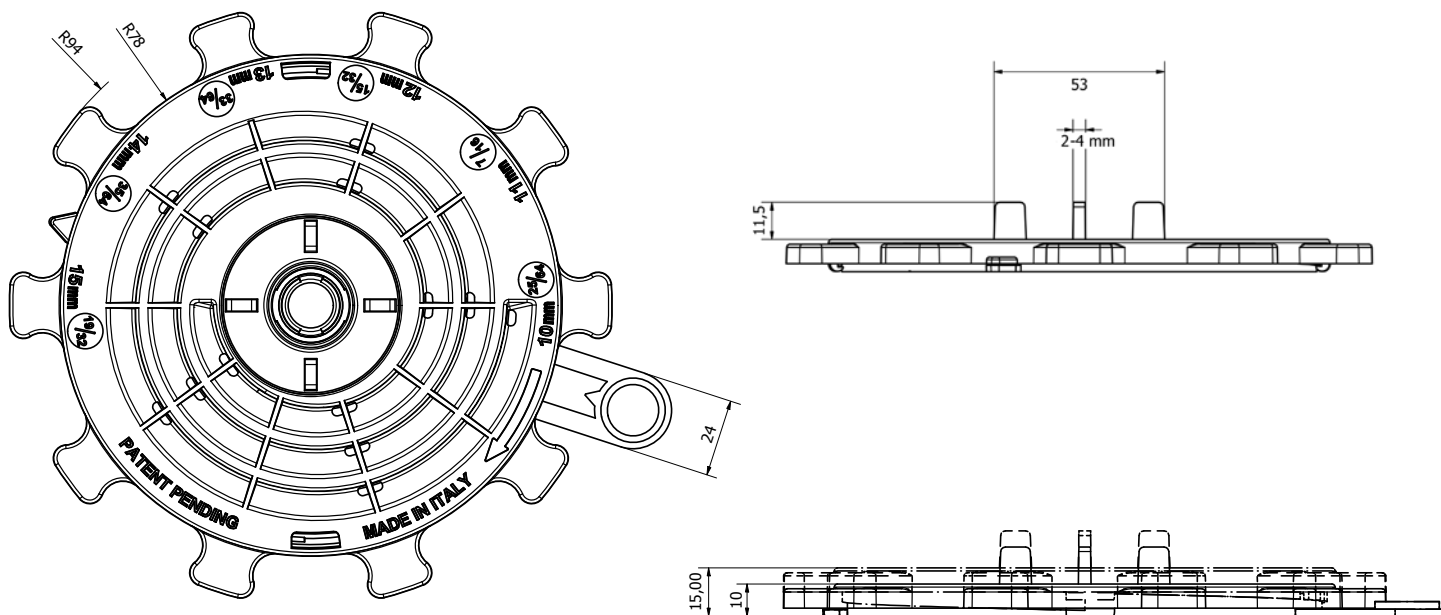
INDEX

1. Code Registry
2. Description
3. Use
4. Fields of use
5. Load Test
6. Technical Specification

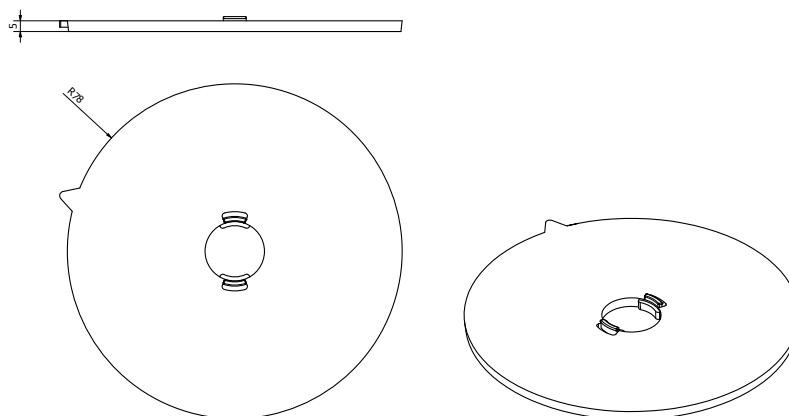
1. CODE REGISTRY

Code	Description	Dimension (mm)	Weight (kg)	Pkg. / Pallet
TER09-1147/4A2M	Arkimede 10 - Spacer tabs thickness 2 mm h. 10 mm	from 10 to 20	0,170	30 pcs / 810 pcs
TER09-1147/4A4M	Arkimede 10 - Spacer tabs thickness 4 mm h. 10 mm	from 10 to 20	0,170	30 pcs / 810 pcs

MATERIAL Made of PP (polypropylene).



ARKIMEDE 10 - PAVING



2. DESCRIPTION

ARKIMEDE 10 support with adjustable height starting from 10 mm.

Base laying surface: 191 cm².

Head and base diameter: 156 mm with a laying surface of 191 cm².

Available versions:

- Box composed by adjustable support and head with 4 spacer tabs of 2 mm thickness and **5 mm extension**.
- Box composed by adjustable support and head with 4 spacer tabs of 4 mm thickness and **5 mm extension**.

The base allows the correct water drainage.

3. USE

Used in external areas, terraces, pavements.

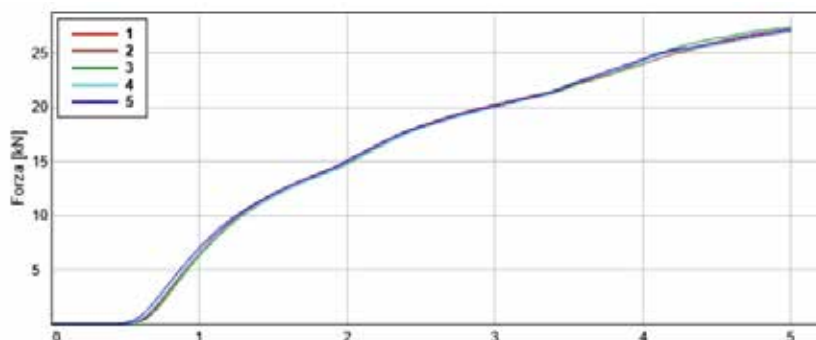
Operating temperature: -40°C / + 80°C

4. FIELDS OF USE

Waterproof membrane, hard insulating panels, screeds and solid and compact pose plans.

5. LOAD TEST

Average maximum load value 11.9 kN.



6. TECHNICAL SPECIFICATION

Specification	Description	Unity	Price
Dak.O.TER09-T147/4AxM	Supply and installation of ARKIMEDE 10 DECKING support with adjustable height starting from 10 mm to a maximum of 20 mm. Base laying surface: 191 cm. Head diameter: 120 mm with a laying surface of 113 cmq. Available versions: · Box composed by adjustable support and head with 4 spacer tabs of 2 mm thickness and 5 mm extension. · Box composed by adjustable support and head with 4 spacer tabs of 4 mm thickness and 5 mm extension. · Box composed by the base, rotating nut and head with 1 tab for joists and 5 mm extension. The base allows the correct water drainage. Made of PP (polypropylene). Used in external areas, terraces, pavements.	pcs	-
Dak.O.TER09-T147/4A2M	4 tabs - 2 mm.....	pcs	-
Dak.O.TER09-T147/4A4M	4 tabs - 4 mm.....	pcs	-