

ADJUSTABLE TELESCOPIC GULLY



INDEX

1. Code Registry
2. Use
3. Technical Specification

1. CODE REGISTRY

Code	Description	Dimensions (mm)	Weight	Pkg. / Pallet
TER07-1340PP	Adjustable Telescopic Gully (ABS grating and frame)	115 x 115	0,400 kg/pc.	15 pcs / 300 pcs
TER07-1340IP	Adjustable Telescopic Gully (AISI 304 Stainless steel grating and ABS frame)	115 x 115	0,400 kg/pc.	15 pcs / 300 pcs
TER07-1340IT	Adjustable Telescopic Gully (AISI 304 Stainless steel grating and frame)	115 x 115	0,400 kg/pc.	15 pcs / 300 pcs

MATERIAL

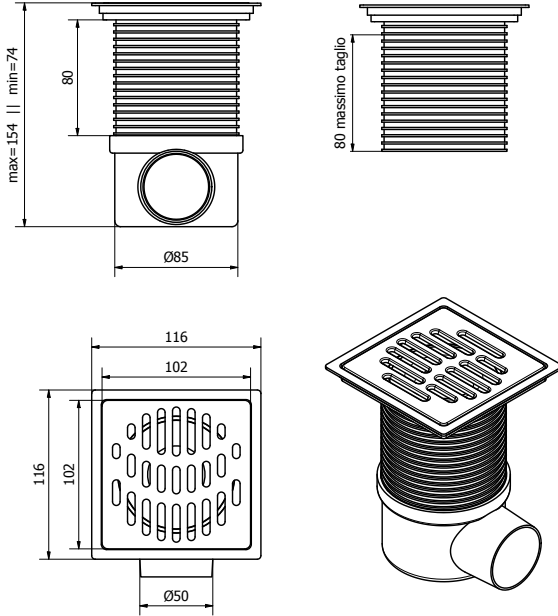
Made of ABS. The grating and/or the frame are AISI 304 stainless steel.

2. USE

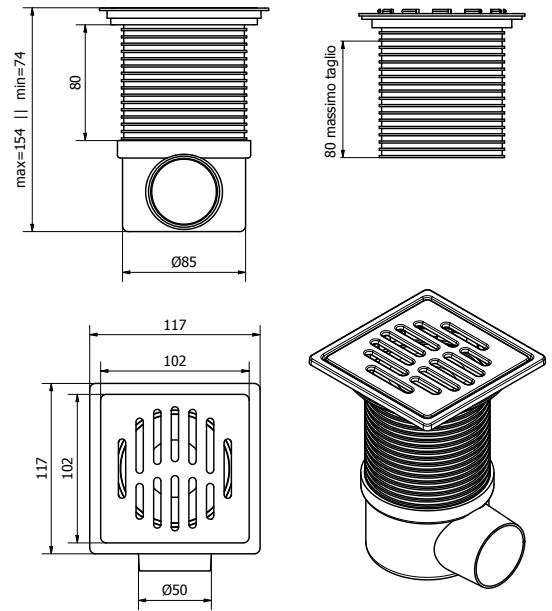
Used for the collection and drainage of stormwater or wash terraces, showers and areas where you need to collect wastewater.

ADJUSTABLE TELESCOPIC GULLY

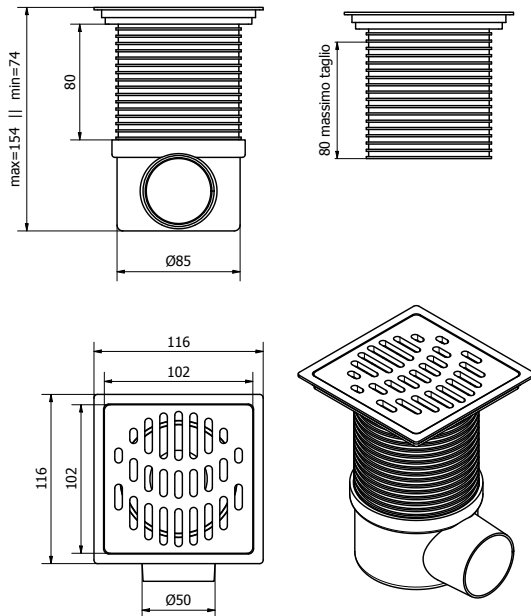
TER07-1340IP



TER07-1340IT



TER07-1340PP



ADJUSTABLE TELESCOPIC GULLY

3. TECHNICAL SPECIFICATION

Specification	Description	Unity	Price
Dak.D.TER07.1340xx	Supply and installation of siphoned gully, with AISI 304 Stainless steel BA grating, resistant to weathering and chemical elements, packed in blister. The bottom outlet is provided with a gasket and it can be easily coupled to the cover, whose height is adjustable from 0 to 80 mm. The shape and adjustable grating allow a fast installation for a perfect siphoning system, very simple to inspect. It's a patented product from Dakota. All items are available with ABS or stainless steel frame and grating. Measures are 115 x 115 mm; the internal outlet dimension is 45 mm and the external one is 50 mm. Made of ABS. The grating and/or the frame are AISI 304 stainless steel. Used for the collection and drainage of stormwater or wash terraces, showers and areas where you need to collect wastewaters.		
Dak.D.TER07.1340PP	ABS grating and frame.....	pc.	-
Dak.D.TER07.1340IP	AISI 304 Stainless steel grating and ABS frame.....	pc.	-
Dak.D.TER07.1340IT	AISI 304 Stainless steel grating and frame.....	pc.	-