

KERADECK® ALUMINUM JOIST



INDEX

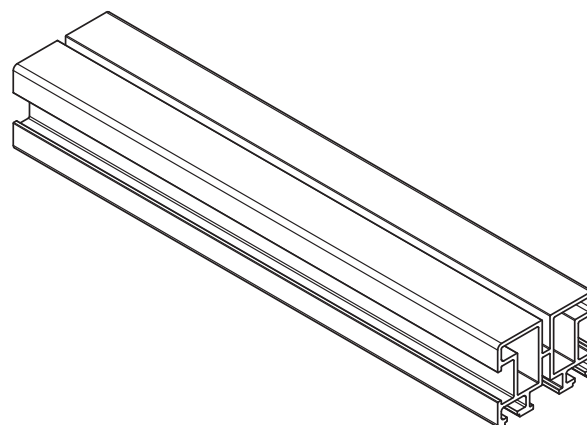
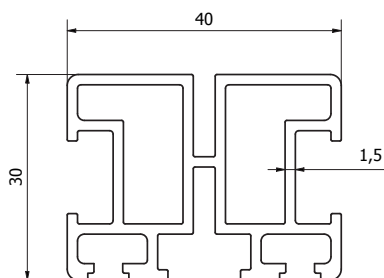
1. Code registry
2. Use
3. Technical specification

1. CODE REGISTRY

Code	Description	Measure (mm)	Weight	Pkg. / Pallet
TER09-2299	Keradeck® Aluminum Joist	2.000 X 40 X 30	-	1 pc. / 200 pcs.

MATERIAL

Made of Aluminum



KERADECK® ALUMINUM JOIST

2. USE

This product allows the making of a supporting structure for the laying of outdoor decking and paving.
It is suggested to place the Arkimede supports every 50 cm.

3. TECHNICAL SPECIFICATION

Item	Description	Unit	Price
Dak.O.TER09.2299	Keradeck® Aluminum joist Dimensions 2.000 x 40 x 30 mm Made of aluminum. For making of a supporting structure for the laying of outdoor decking and paving.	pc.	-