

# CORE DRILLING $\varnothing$ 70 MM



## INDEX

1. Code registry
2. Use
3. Technical specification

## 1. CODE REGISTRY

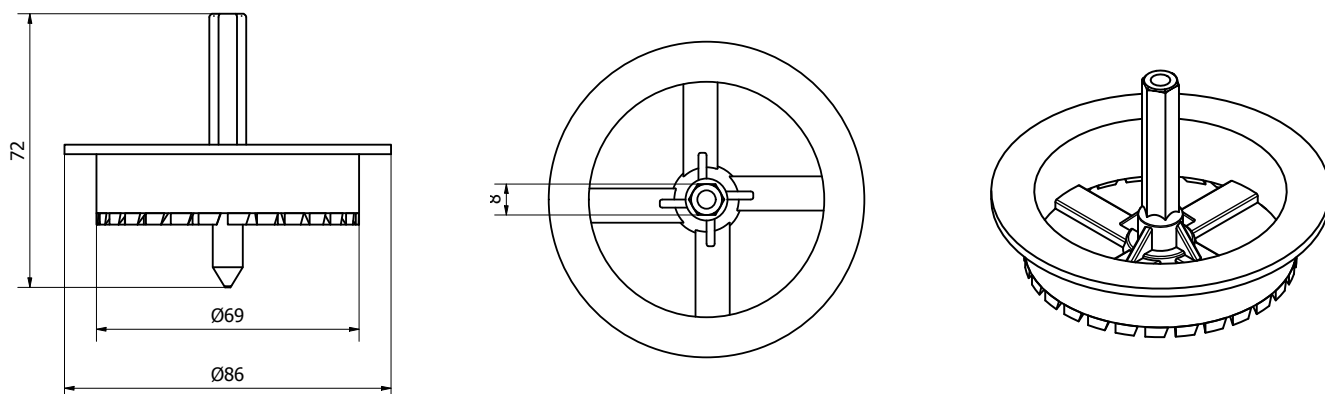
Code	Description	Measures (mm)	Weight (kg/pz.)	Color	Pkg. / Pallet
TER11-2310	Core drilling $\varnothing$ 70 mm	$\varnothing$ 70	0,100 kg/pz.	-	100 pz. / 3.000 pc.

**MATERIAL** Made of polyamide

## 2. USE

Used to create a suitable cavity in the insulating sheet for the installation of dowels and subsequent covering with washers in insulating material such as EPS, graphite and EPS, mineral wool.

Suitable for any insulating panel.



## 3. TECHNICAL SPECIFICATION

Voce	Descrizione	Unità	Prezzo
Dak.B.TER11.2310	Supply and installation of core drill $\varnothing$ 70 mm, grey, packed in cellophane. Used to drill 70 mm diameter holes in the panels of the cladding system. Can be used with all supports. Made of polyamide.....	pc.	-