

# CAST IRON GRATING 200



## INDEX

1. Code Registry
2. Use
3. Technical Specification

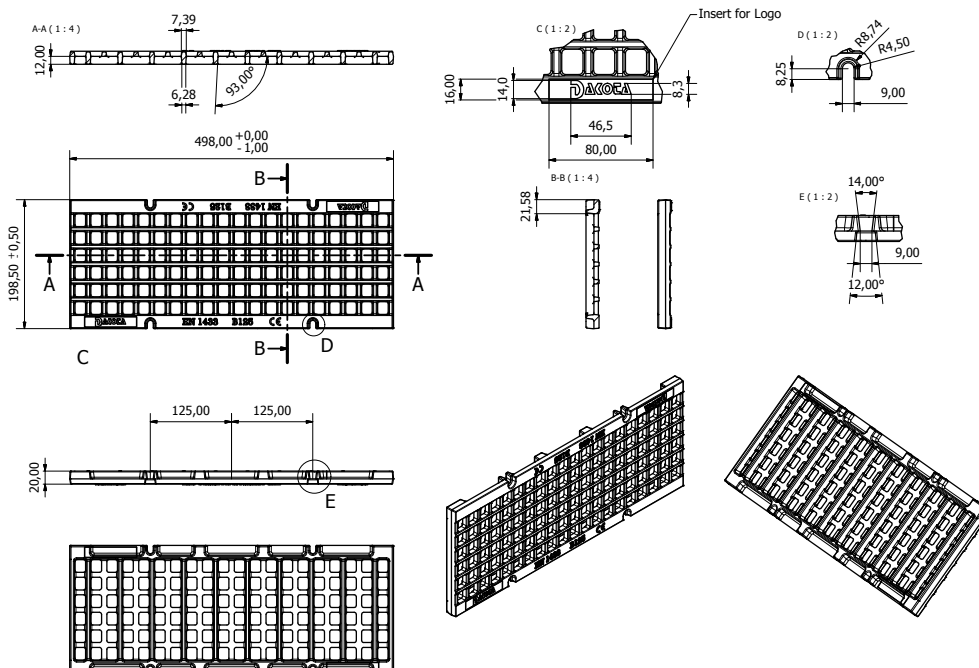
## 1. CODE REGISTRY

Code	Description	Dimension (mm)	Weight	Colour	Pkg. / Pallet
POZ90-1361GBN	B125 Cast Iron Grating 200	200 x 500	5,60 kg/pc.	Black	250 pcs.
POZ90-1361GCN	C250 Cast Iron Grating 200	200 x 500	5,80 kg/pc.	Black	153 pcs.
POZ90-1361GDN	D400 Cast Iron Grating 200	200 x 500	6,30 kg/pc.	Black	250 pcs.
POZ90-1361GEN	E600 Cast Iron Grating 200	200 x 500	11,00 kg/pc.	Black	250 pcs.
POZ90-1361GFN	F900 Cast Iron Grating 200	200 x 500	12,10 kg/pc.	Black	250 pc.

### MATERIAL

Made of spheroidal cast iron.

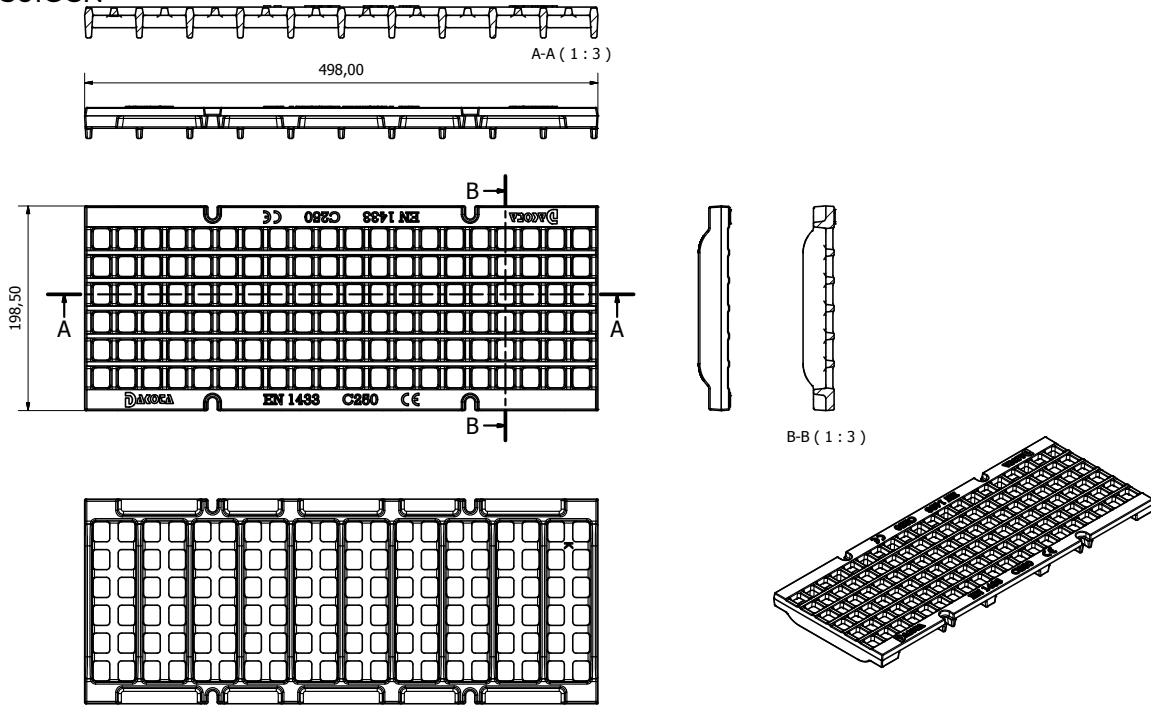
### POZ90-1361GBN



	material	weight	water passage
1361GBN	Ghisa Sferoidale	5,60 kg	381,7 cm <sup>2</sup>

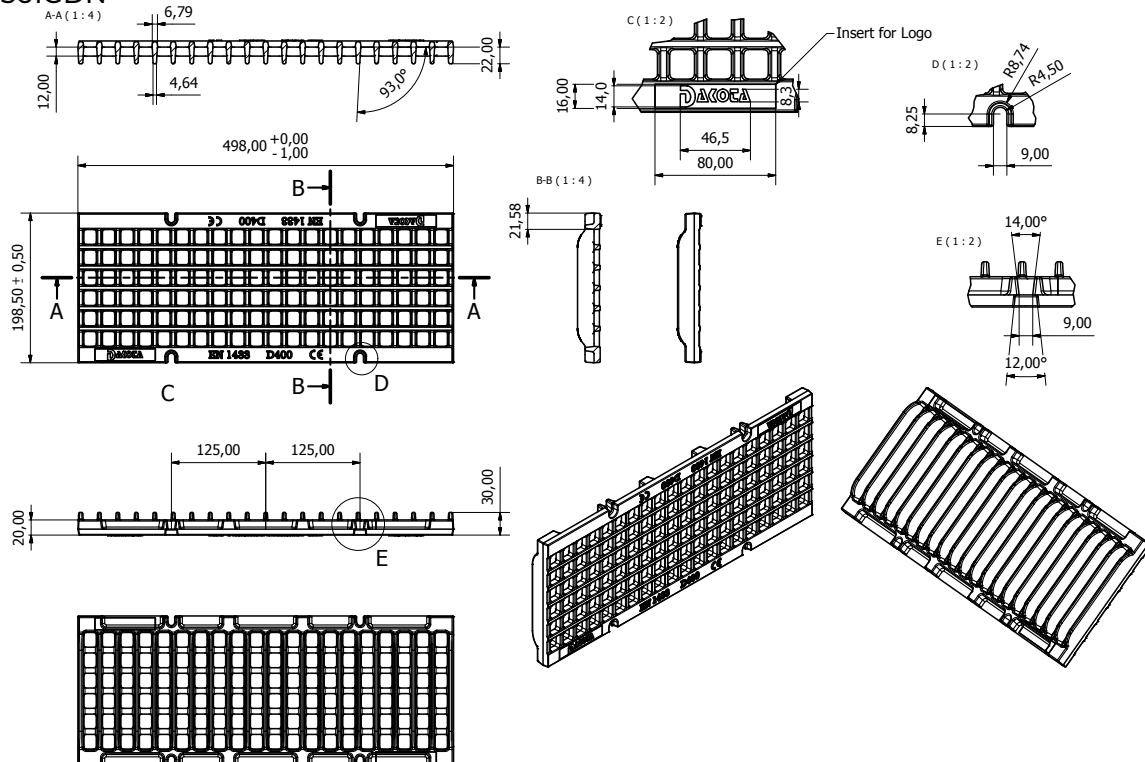
# CAST IRON GRATING 200

POZ90-1361GCN



	material	weight	water passage
1361GCN	Ghisa Sferoidale	5,80 kg	381,7 cm <sup>2</sup>

POZ90-1361GDN



	material	weight	water passage
1361GDN	Ghisa Sferoidale	6,30 kg	381,7 cm <sup>2</sup>

# CAST IRON GRATING 200

## 2. USE

It can be used in areas that need high load capacity (heavy traffic and/or heavy vehicles passage, respecting the corresponding loading class).

## 3. TECHNICAL SPECIFICATION

Specification	Description	Unity	Price
<b>Dak.D.POZ90.1361GxN</b>	Supply and installation to grating made with Anti-heel squared mesh design. Available loading classes: B125 - C250 - D400 - E600 - F900. Made of spheroidal cast iron. It can be used in areas that need high load capacity (heavy traffic and/or heavy vehicles passage, respecting the corresponding loading class).		
<b>Dak.D.POZ90.1361GBN</b>	Class B125.....	pc.	-
<b>Dak.D.POZ90.1361GCN</b>	Class C250.....	pc.	-
<b>Dak.D.POZ90.1361GDN</b>	Class D400.....	pc.	-
<b>Dak.D.POZ90.1361GEN</b>	Class E600.....	pc.	-
<b>Dak.D.POZ90.1361GFN</b>	Class F900.....	pc.	-