

# PAVING SPACER



## INDEX

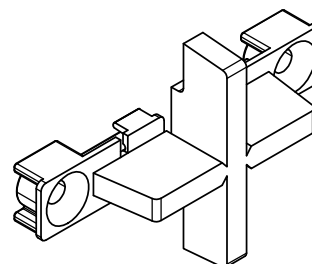
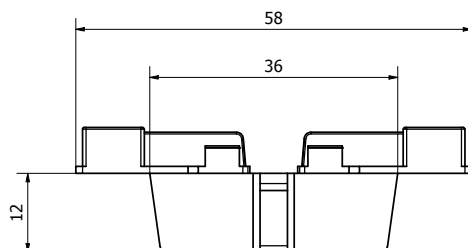
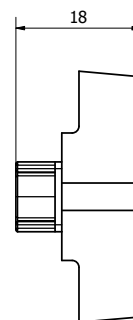
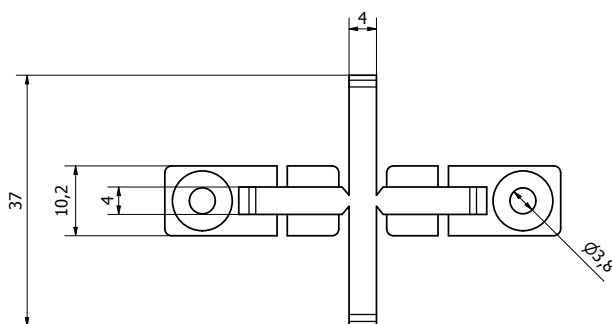
1. Code registry
2. Use
3. Technical specification

## 1. CODE REGISTRY

Code	Description	Measure (mm)	Weight	Pkg. / Pallet
TER09-2299/A	Paving spacer	58 x 37 x 18	1 gr/pz.	200 pcs. / 28.800 pcs.

### MATERIAL

Made of polypropylene (PP).



# PAVING SPACER

## 2. USE

The paving crosspiece for 4 mm joints allows equal spacing laying of outdoor floor tiles and thanks to the grooves it can also be used in combination with the anti-noise gasket.

## 3. TECHNICAL SPECIFICATION

Item	Description	Unit	Price
Dak.O.TER09.2299/A	Paving spacer Dimensions 58 x 37 x 18 mm Made of polypropylene (PP). Used as a tile spacer for outdoor flooring tiles.	pc.	-