

LINEAR JOIST CONNECTOR FOR KERADEK®



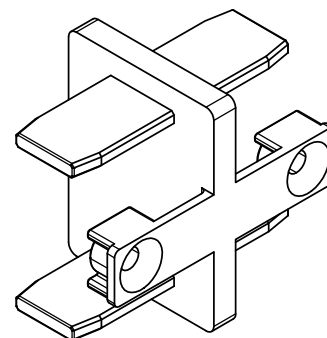
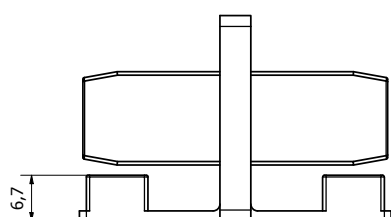
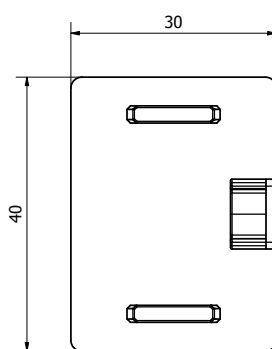
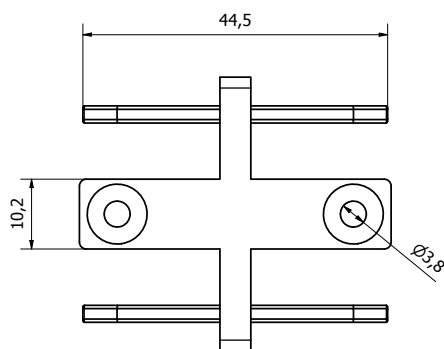
INDEX

1. Code registry
2. Use
3. Technical specification

1. CODE REGISTRY

Code	Description	Measure (mm)	Weight	Pkg. / Pallet
TER09-2299/B	Linear joist connector for Keradeck®	44,5 x 30 x 6,7	1 gr/pz.	130 pcs. / 18.720 pcs.

MATERIAL Made of polyamide (PA).



LINEAR JOIST CONNECTOR FOR KERADEK®

2. USE

The linear connector allows the joining of two Keradeck® joists in a linear direction. Other types of connectors can create different types of connections.

3. TECHNICAL SPECIFICATION

Item	Description	Unit	Price
Dak.O.TER09.2299/B	Linear connector for Keradeck® jumper Dimensions 44.5 x 30 x 6.7 mm Made of polyamide (PA). Used as a linear connector between Keradeck® sinkers.	pc.	-