

# “T” JOIST CONNECTOR



## INDEX

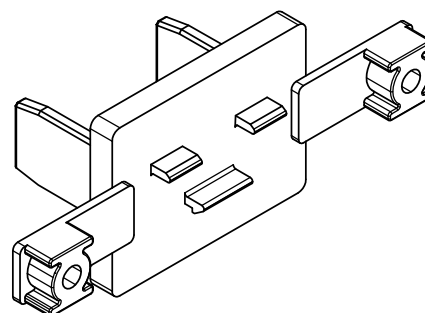
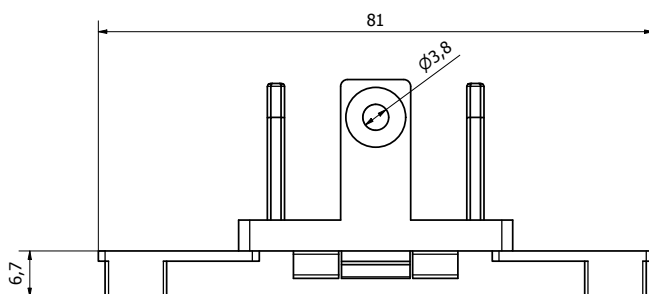
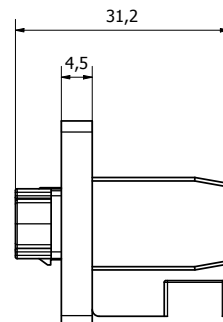
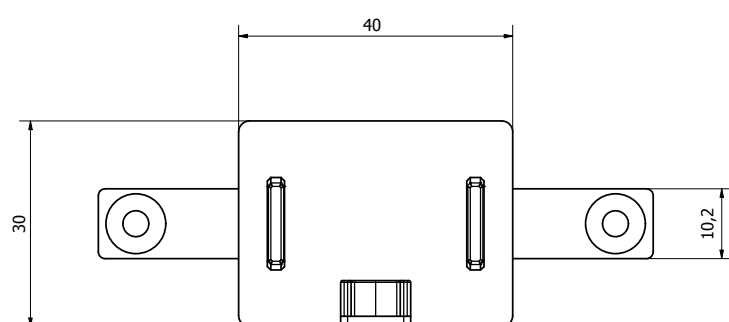
1. Code registry
2. Use
3. Technical specification

## 1. CODE REGISTRY

Code	Description	Measure (mm)	Weight	Pkg. / Pallet
TER09-2299/C	“T” Joist Connector	81 x 40 x 31,2	1 gr/pz.	130 pcs. / 18.720pcs.

### MATERIAL

Made of polyamide (PA).



# “T” JOIST CONNECTOR

## 2. USE

The connector allows the “T” junction of two Keradeck® joists. Other types of connectors are able to create different types of connections.

## 3. TECHNICAL SPECIFICATION

Item	Description	Unit	Price
Dak.O.TER09.2299/C	T-connector for Keradeck® joists Dimensions 80 x 41 x 31.2 mm Made of polyamide (PA). Used as a linear junction element between Keradeck® hanger plates.	pc	-