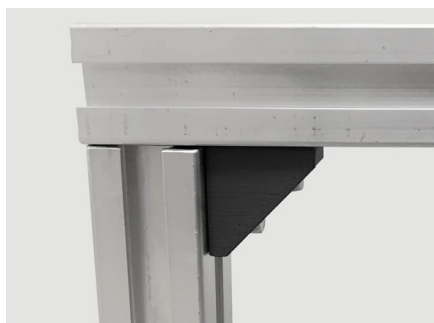


CORNER REINFORCEMENT FOR KERADECK® JOISTS



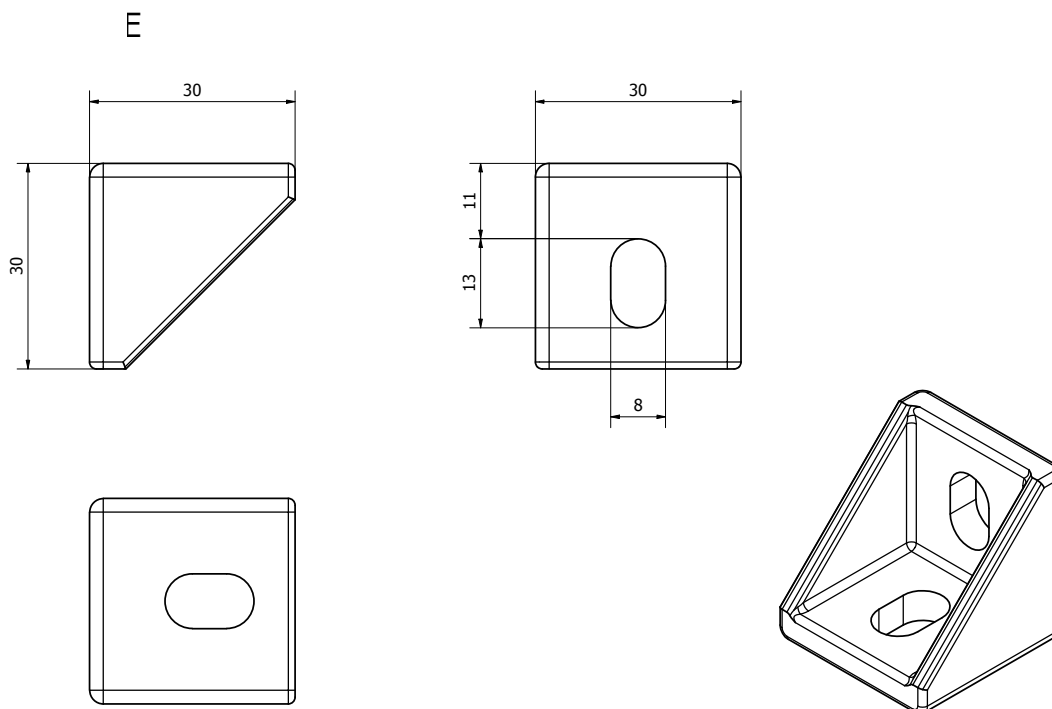
INDEX

1. Code registry
2. Use
3. Technical specification

1. CODE REGISTRY

Code	Description	Measure (mm)	Weight	Pkg. / Pallet
TER09-2299/E	Corner Reinforcement Angle for Keradeck® joists	30 x 30 x 30	1 gr/pc.	200 pcs. / 28.800 pcs.

MATERIAL Made of polyamide (PA)



CORNER REINFORCEMENT FOR KERADECK® JOISTS

2. USE

The angular connector allows the reinforcement of Keradeck® meshes tangent to 90°. Other types of connectors can create different types of connections.

3. TECHNICAL SPECIFICATION

Voce	Descrizione	Unità	Prezzo
Dak.O.TER09.2299/C	Overlap connector for Keradeck® joists Dimensions 30 x 30 x 30 mm Made of polyamide (PA). Used as a connecting element between Keradeck® joists	pz.	-