

REINFORCEMENT PROFILE



INDEX

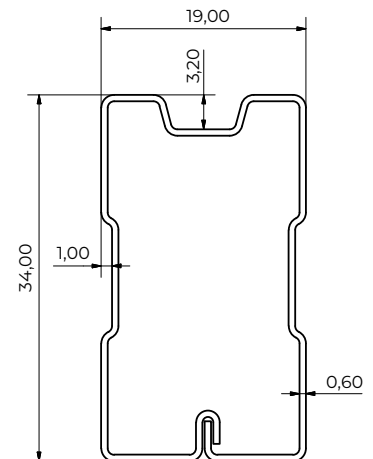
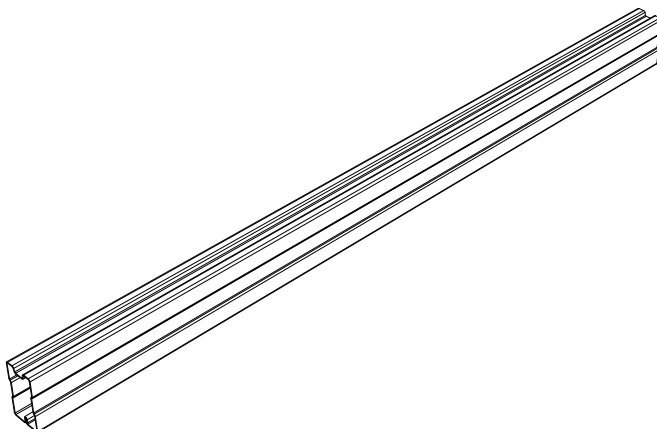
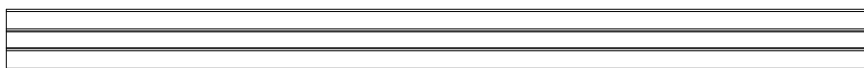
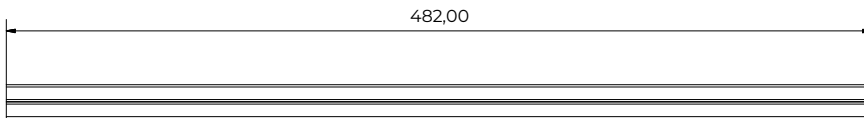
- 1. Code Registry
- 2. Use
- 3. Installation
- 4. Technical Specification

1. CODE REGISTRY

Code	Description	Dimension (mm)	Weight	Pkg. / Pallet
POZ95-1313	Reinforcement profile	34 x 19 x 482	0,28 kg/pc.	30 pc. / - pc.

MATERIAL

Made of structural galvanized steel

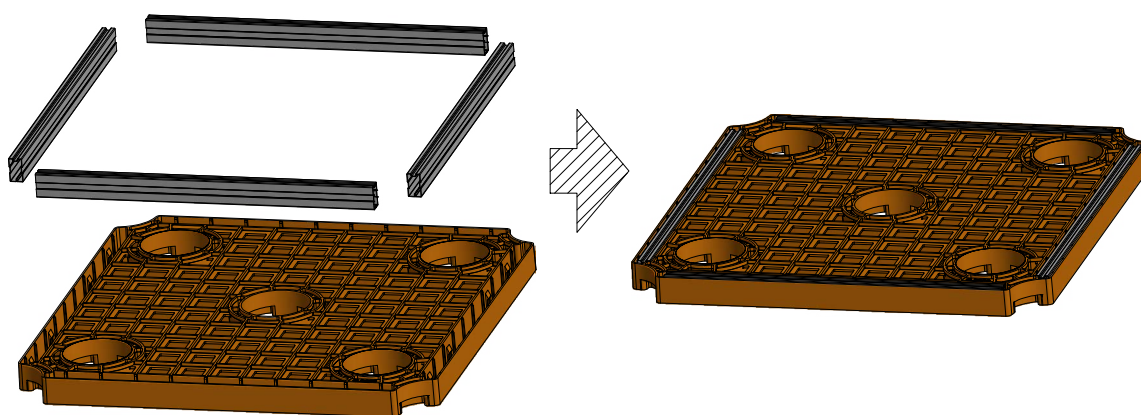


REINFORCEMENT PROFILE

2. USE

Used to reinforcement of Level Up Ceramic

3. INSTALLATION



4. TECHNICAL SPECIFICATION

Specification	Description	Unity	Price
Dak.O.POZ95-1313	Supply and installation of Reinforcement profile. Thickness 0,6 mm. Made of structural galvanized steel. Used to reinforcement the Level Up Ceramic.	pcs	-