

# SIPHONED GULLY, LOW OUTLET



## INDEX

1. Code Registry
2. Use
3. Technical Specification

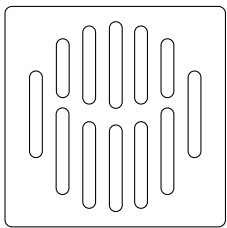
## 1. CODE REGISTRY

Code	Description	Dimensions (mm)	Outlet	Weight	Pkg. / Pallet
TER01-1310GIT	Siphoned Gully (AISI 304 Stainless steel grating and frame)	100 x 100	40 mm	0,115 kg/pc.	25 pc. / 750 pcs
TER01-1315GIT	Siphoned Gully (AISI 304 Stainless steel grating and frame)	150 x 150	50 mm	0,120 kg/pc.	24 pc. / 480 pcs

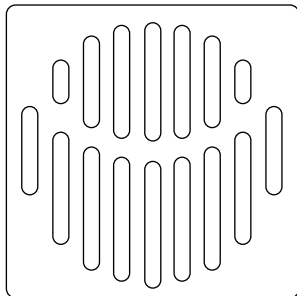
### MATERIAL

Made of PP (polypropylene) with AISI 304 stainless steel grating.

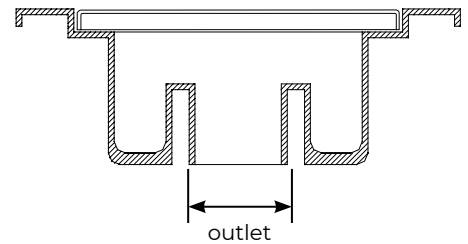
TER01-1310GIT



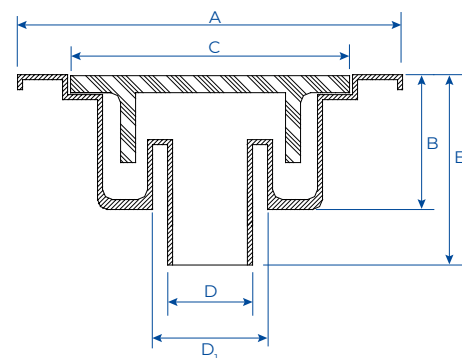
TER01-1315GIT



Code	I	water passage
TER01-1310GIT	5 mm	2.090 mm <sup>2</sup>
TER01-1315GIT	7 mm	5.250 mm <sup>2</sup>



	A	B	C	D	D <sub>1</sub>	E
TER01-1310G	100	47	90	40	-	- mm
TER01-1312G	125	60	110	50	-	- mm
TER01-1315G	150	60	135	50	-	- mm
TER01-1320G	200	80	178	80/90	-	115 mm
TER01-1325G	250	118	227	90/100	115	- mm
TER01-1330G	300	136	267	100/110	125	- mm



## 2. USE

Used for the drainage of rainwater on terraces.

## 3. TECHNICAL SPECIFICATION

Specification	Description	Unity	Price
<b>Dak.D.TER01.131xGIT</b>	Supply and installation of Siphoned gully with AISI 304 Stainless steel and frame, resistant to weathering agents and easy to inspect. Vertical discharge outlet of different diameters (see table). It is a product patented by Dakota. Available in various sizes: 100 x 100 and 150 x 150 mm frame + AISI 304 Stainless steel grating. Made of PP (polypropylene) with AISI 304 stainless steel grating. Used for the drainage of rainwater on terraces.		
<b>Dak.D.TER01.1310GIT</b>	Dimension 100 x 100 mm.....	pc.	-
<b>Dak.D.TER01.1315GIT</b>	Dimension 150 x 150 mm.....	pc.	-