

TELESCOPIC LOWERED SIPHONED GULLY CENTRAL OUTLET 150 x 150



INDEX

1. Code Registry
2. Use
3. Technical Specification

1. CODE REGISTRY

| Code | Description | Dimensions (mm) | Outlet | Weight | Pkg. / Pallet |
|--------------|--|-----------------|--------|-------------|------------------|
| TER07-1343PP | Telescopic Lowered Siphoned Gully (ABS grating and frame) | 150 x 150 | 50 mm | 0,15 kg/pc. | 12 pcs / 180 pcs |
| TER07-1343IP | Telescopic Lowered Siphoned Gully (AISI 304 Stainless steel grating and ABS frame) | 150 x 150 | 50 mm | 0,15 kg/pc. | 12 pcs / 180 pcs |
| TER07-1343IT | Telescopic Lowered Siphoned Gully (AISI 304 Stainless steel grating and frame) | 150 x 150 | 50 mm | 0,15 kg/pc. | 12 pcs / 180 pcs |

MATERIAL

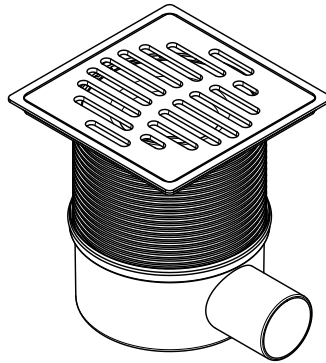
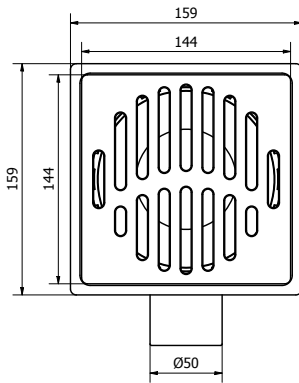
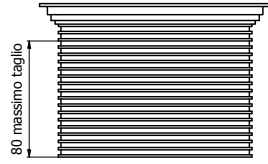
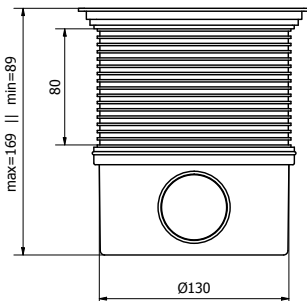
Made of ABS. The grating and/or the frame are AISI 304 stainless steel.

2. USE

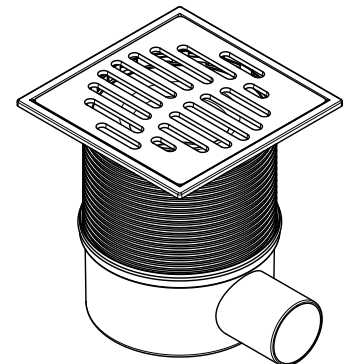
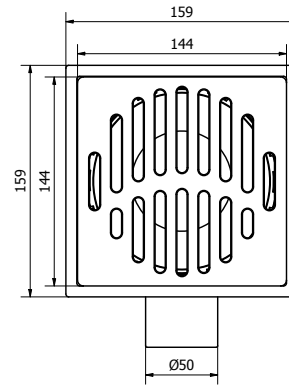
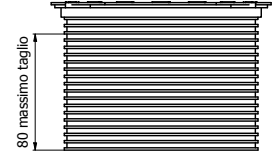
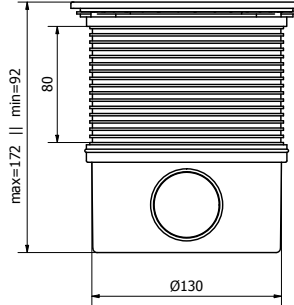
Used for drainage of rain water on the terraces, or on screeds little shimmed and/or where the slope does not allow the inlet "elbow" to the outlet.

TELESCOPIC LOWERED SIPHONED GULLY CENTRAL OUTLET 150 x 150

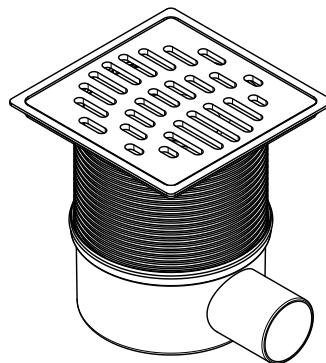
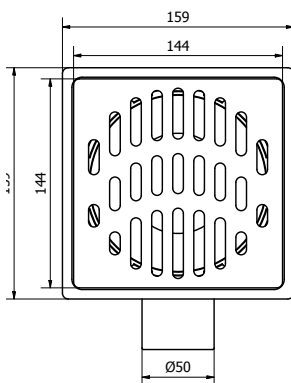
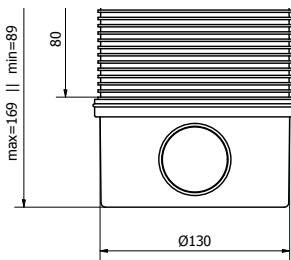
TER07-1343IP



TER07-1343IT



TER07-1343PP



TELESCOPIC LOWERED SIPHONED GULLY CENTRAL OUTLET 150 x 150

3. TECHNICAL SPECIFICATION

| Specification | Description | Unity | Price |
|---------------------------|---|-------|-------|
| Dak.D.TER07.1343xx | Supply and installation of Telescopic gully, with AISI 304 Stainless steel BA or ABS grating. The lowered bottom outlet can be oriented and rotated up to 360 degrees. Available in various versions: ABS grating and frame, ABS frame and AISI 304 Stainless steel grating or AISI 304 Stainless steel frame and grating. This product is patented by Dakota. The internal outlet dimension is 45 mm, the external one is 50 mm. Made of ABS. The grating and/or the frame are AISI 304 stainless steel. Used for drainage of rain water on the terraces, or on screeds little shimmed and/or where the slope does not allow the inlet "elbow" to the outlet. | | |
| Dak.D.TER07.1343PP | ABS grating and frame - 150 x 150 mm..... | pc. | - |
| Dak.D.TER07.1343IP | AISI 304 Stainless steel grating and ABS frame - 150 x 150 mm..... | pc. | - |
| Dak.D.TER07.1343IT | AISI 304 Stainless steel grating and frame - 150 x 150 mm..... | pc. | - |