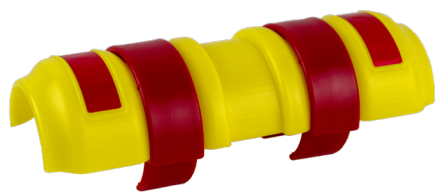


PIPE COVER



INDEX

1. Code registry
2. Description
3. Use
4. Technical specification

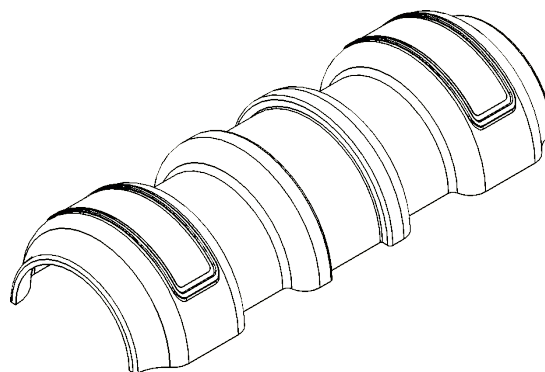
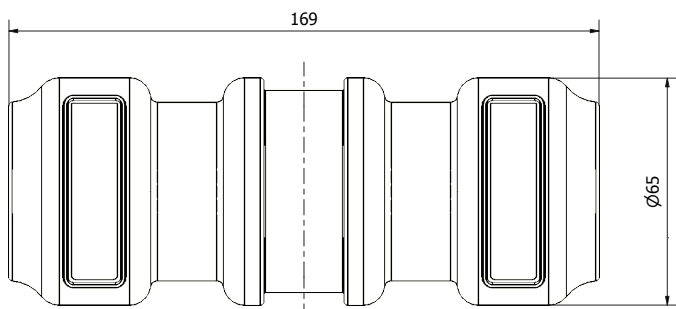
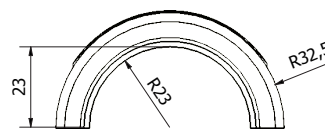
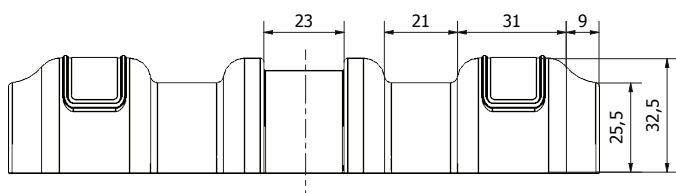
1. REGISTRE DES CODES

Code	Description	Weight	Measures (mm)	Color	Pkg. / Pallet
TER26-6305	Pipe cover	0,07 gr/m ²	170 x 65 x 35	Yellow	100 pc. / 5.000 pc.

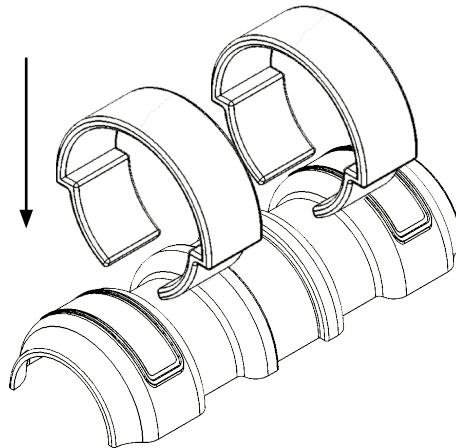
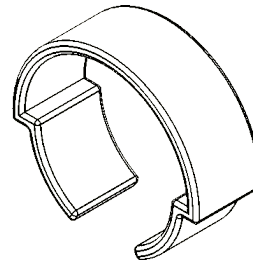
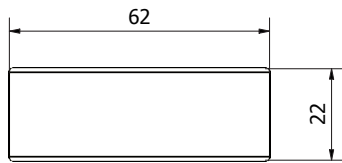
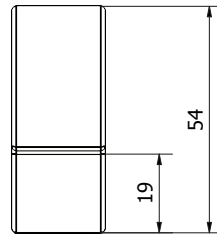
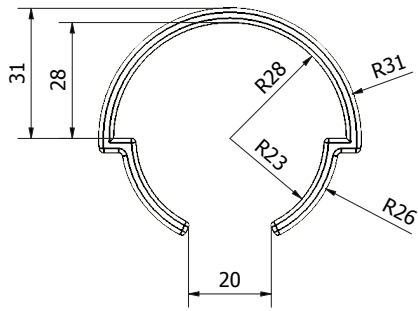
MATERIAL Made of PP (polypropylene).

2. PIPE COVER

Warning and protective device of areas and/or elements on the construction site. Made of PP (polypropylene), yellow colour. Resistant to ageing due to exposure to the atmospheric agents. Equipped with red reflectors, to enable visibility in the dark. Packed in carton box.



PIPE COVER



3. USE

To indicate the presence of iron pipes, reducing hazards and accidents arising from failure or lack of identification or non-use of PPE.

4. TECHNICAL SPECIFICATION

Produit	Description	Unité	Prix
Dak.E.TER26-6305	Supply and installation of pipe covers to indicate the presence of iron pipes on scaffolding. Made of polypropylene and equipped with two red reflectors and clips. Packed in a box.	pc.	-