

TPE BREATHER VENT



INDEX

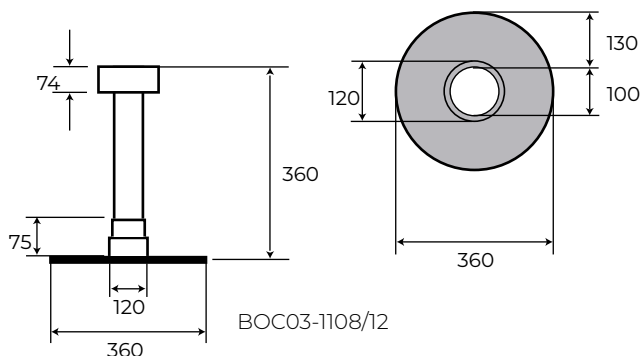
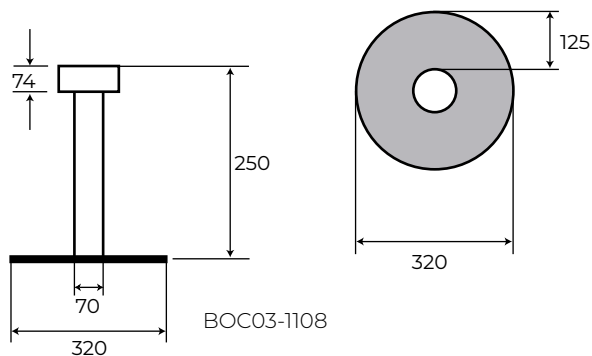
1. Code Registry
2. Use
3. Technical Specification

1. CODE REGISTRY

Code	Description	Dimensions (mm)	Weight	Colour	Pkg. / Pallet
BOC03-1108	TPE breather vent	ø 80 h. 250	0,40 kg/pc.	Black	20 pcs / 120 pcs
BOC03-1108/12	TPE breather vent	ø 100/120 h. 360	0,40 kg/pc.	Black	10 pcs / 100 pcs

MATERIAL

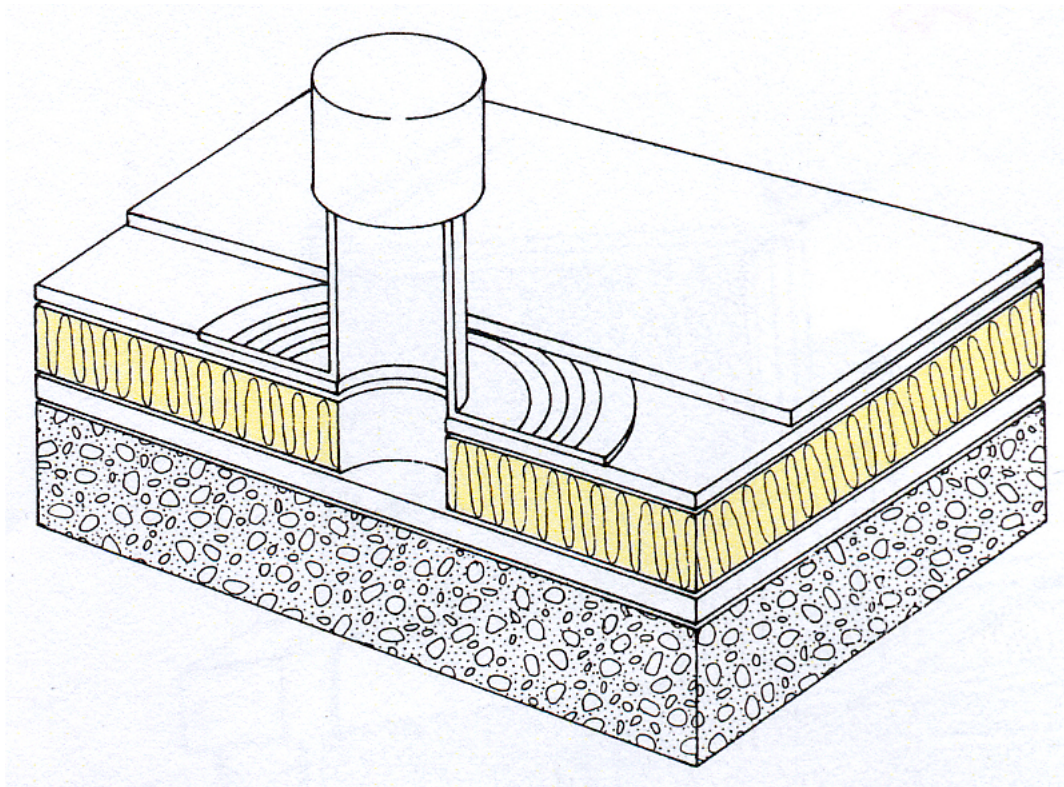
Made of TPE (thermoplastic rubber).



TPE BREATHER VENT

2. USE

Used for the complete evacuation of the vapors from the waterproof membranes.
It is recommended to place a breathing vent every 3/4 m, both longitudinal and lateral.



3. TECHNICAL SPECIFICATION

Specification	Description	Unity	Price
Dak.R.BOC03.1108x	Supply and installation of Breather vent that consists of a ange, a pipe (length from 250 to 360 mm) and a covering cap to prevent the entry of rain water into the pipe. Made of TPE (thermoplastic rubber). Used for the complete evacuation of the vapors from the waterproof membranes. It is recommended to place a breathing vent every 3/4 m, both longitudinal and lateral.		
Dak.R.BOC03.1108	∅ 80 h. 250 mm.....	pc.	-
Dak.R.BOC03.1108/12	∅ 100/120 h. 360 mm.....	pc.	-