

GREEN PLUS CATCH-PIT



INDEX

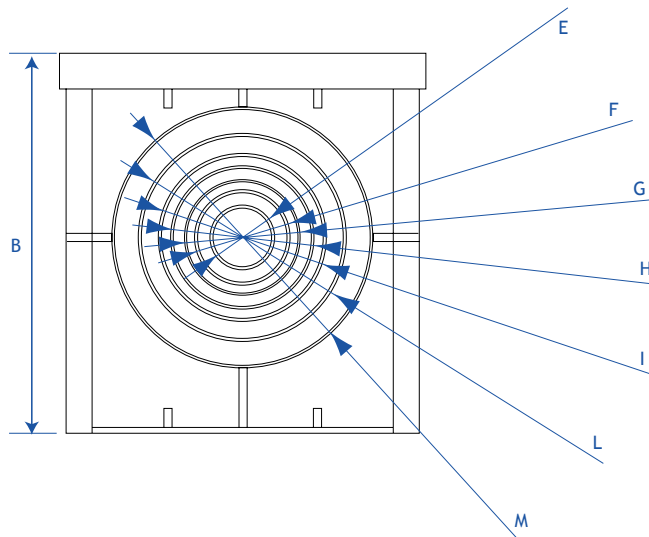
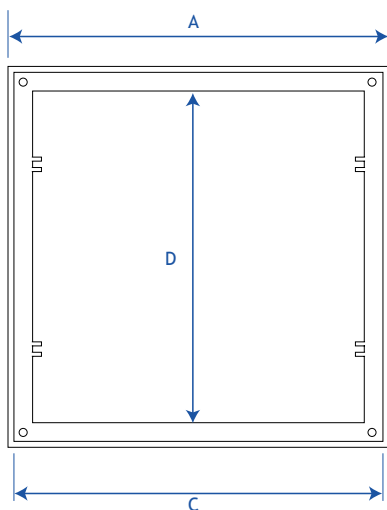
1. Code registry
2. Use
3. Technical specification

1. CODE REGISTRY

Code	Description	Dimensions (mm)	Weight	Colour	Pkg. / Pallet
POZ01-1372V	Green Plus Catch-Pit	200 x 200	0,700 kg/pc.	Green	1 pc. / 150 pcs
POZ01-1372BV	Green Plus Catch-Pit	250 x 250	1,200 kg/pc.	Green	1 pc. / 160 pcs
POZ01-1373V	Green Plus Catch-Pit	300 x 300	1,630 kg/pc.	Green	1 pc. / 48 pcs
POZ01-1374V	Green Plus Catch-Pit	400 x 400	3,000 kg/pc.	Green	1 pc. / 27 pcs

MATERIAL

Made of PP (polypropylene).



	A	B	C	D	E	F	G	H	I	L	M	N	WEIGHT KG
POZ01-1372V	193	200	188	162				63	80	100	125		0,700
POZ01-1372BV	243	249	248	236				63	80	100	125		1,060
POZ01-1373V	292	296	286	252			63	80	100	125	140		1,630
POZ01-1374V	395	398	387	354	63	80	100	125	140	160	200		3,000

GREEN PLUS CATCH-PIT

2. USE

It is used as an alternative to traditional concrete manholes.

3. TECHNICAL SPECIFICATION

Specification	Description	Unity	Price
Dak.D.POZ01.137xV	Supply and installation of monolithic standard catch-pit is available in various sizes, from 200 x 200 to 400 x 400 mm, green colour. Main characteristics: · Light weight for easy transport, positioning and installation, even by a single person; · High resistance, thanks to the reinforcements and ribs on the sides; · Pipes of every sizes can easily fit thanks to the special precutted concentric shape of the holes on the sides. Compatible with relative PP green catch-pit cover. Made of PP (polypropylene). It is used as an alternative to traditional concrete manholes.		
Dak.D.POZ01.1372V	Dimension 200 x 200 mm.....	pc.	-
Dak.D.POZ01.1372BV	Dimension 250 x 250 mm.....	pc.	-
Dak.D.POZ01.1373V	Dimension 300 x 300 mm.....	pc.	-
Dak.D.POZ01.1374V	Dimension 400 x 400 mm.....	pc.	-