

# GULLY WITH PRE-ASSEMBLED SHEET



## INDEX

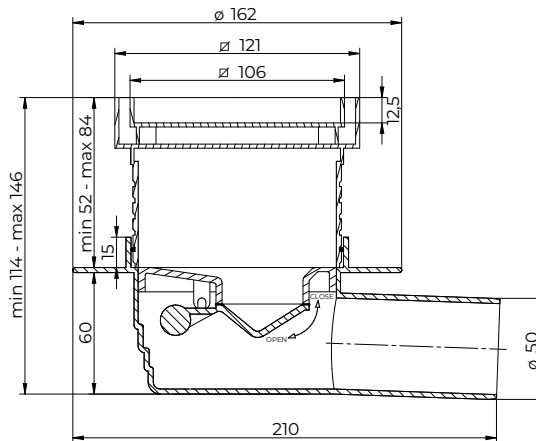
1. Code Registry
2. Use
3. Technical Specification

## 1. CODE REGISTRY

| Code         | Description  | Dimensions (mm)           | Outlet | Weight      | Pkg. / Pallet  |
|--------------|--|---------------------------|--------|-------------|----------------|
| POZ93-1150/D | Siphoned gully with pre-assembled sheet recessed cover | 106 x 106 - ext 121 x 121 | 50 mm  | 0,64 kg/pc. | 1 pc. / 80 pcs |
| POZ93-1150/R | Siphoned gully with pre-assembled sheet - Obli         | 105 x 105                 | 50 mm  | 0,64 kg/pc. | 1 pc. / 80 pcs |

### MATERIAL

Made of PP (gully trap) or Stainless Steel (grating).



## 2. USE

Used for the collection and drainage of stormwater or wash terraces.

## 3. TECHNICAL SPECIFICATION

| Specification              | Description   | Unity | Price |
|----------------------------|---|-------|-------|
| <b>Dak.D. POZ93.1150/x</b> | Supply and installation of Siphoned gully with pre-assembled polyester sheet.<br>Available in 2 different versions, with Stainless steel grating or with recessed cover and frame for tiles in PP.<br>Made of PP (gully trap) or Stainless Steel (grating).<br>Used for the collection and drainage of stormwater or wash terraces. |       |       |
| <b>Dak.D.POZ93.1150/D</b>  | Recessed cover.....   | pc.   | -     |
| <b>Dak.D.POZ93.1150/R</b>  | Obli.....   | pc.   | -     |