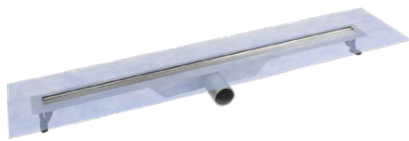


CHANNEL DAKUA+ WITH STAINLESS STEEL GRATING



INDEX

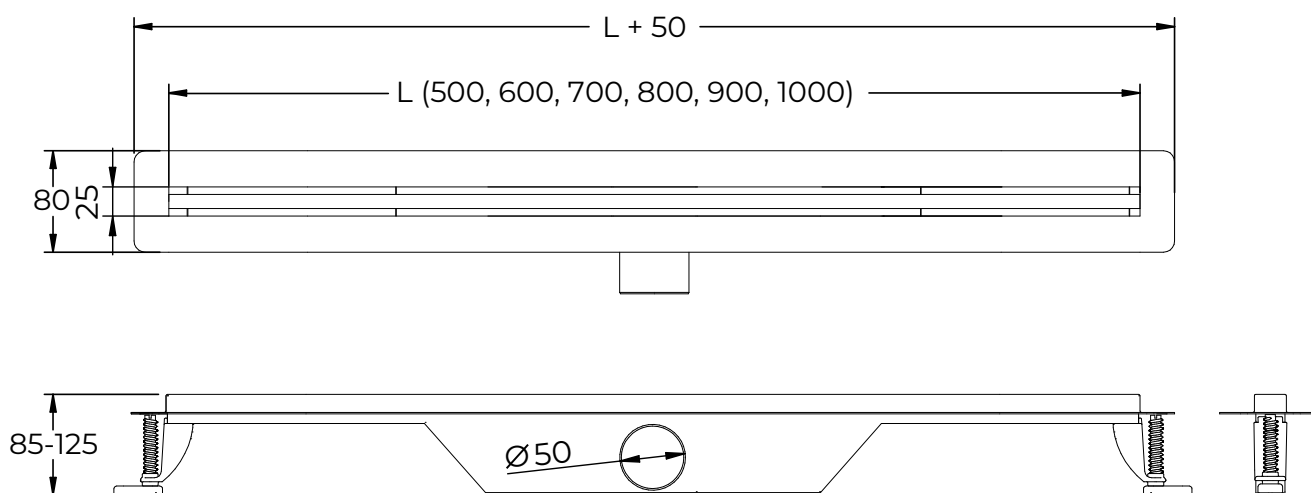
1. Code Registry
2. Use
3. Technical Specification

1. CODE REGISTRY

Code	Description	Dimension (mm)	Weight	Colour	Pkg. / Pallet
POZ93-117500	Kit - Channel Dakua+ Slim - 500	25 x 500	1,65 kg/pcs	Galvanized Steel	1 pcs / 108 pcs
POZ93-117600	Kit - Channel Dakua+ Slim - 600	25 x 600	1,85 kg/pcs	Galvanized Steel	1 pcs / 90 pcs
POZ93-117700	Kit - Channel Dakua+ Slim - 700	25 x 700	2,10 kg/pcs	Galvanized Steel	1 pcs / 81 pcs
POZ93-117800	Kit - Channel Dakua+ Slim - 800	25 x 800	2,30 kg/pcs	Galvanized Steel	1 pcs / 54 pcs
POZ93-117900	Kit - Channel Dakua+ Slim - 900	25 x 900	2,50 kg/pcs	Galvanized Steel	1 pcs / 55 pcs
POZ93-1171000	Kit - Channel Dakua+ Slim - 1000	25 x 1.000	2,70 kg/pcs	Galvanized Steel	1 pcs / 56 pcs

MATERIAL

Grating and channel body made of AISI 304 stainless steel, trap siphoned element and outlet body made of ABS, waterproof sheet made of polyester.



CHANNEL DAKUA+ WITH STAINLESS STEEL GRATING

2. USE

This channel is used for the shower water collection, fitting with the floor and embellishing the surface aesthetics.

3. TECHNICAL SPECIFICATION

Specification	Description	Unity	Price
Dak.D.POZ93.117x00	Supply and installation of drainage Channel Dakua+ Slim with a modern, essential and functional design. The block body channel is made up of AISI 304 stainless with a 90° bended external edge that allow to be installed closed to the wall. Moreover, thanks to the absence of welds and screws, ensures easy cleaning and high hygiene standards. The body channel, contains a siphon, a removable basket and a 360° adjustable and removable gasket. The flow rate (25 litres/min) is high, even with lowered heights. The kit is ready for installation, with the provided preassembled grating and includes a waterproof pre-cut polyester sheet, which is shaped to the edge of the channel to protect it against infiltration under the floor. Grating, channel body and the outlet body made of AISI 304 stainless steel, trap siphoned element made of ABS, waterproof sheet made of polyester. This channel is used for the shower water collection, fitting with the floor and embellishing the surface aesthetics.		
Dak.D.POZ93.117500	Slim - 500 mm.....	pcs	-
Dak.D.POZ93.117600	Slim - 600 mm.....	pcs	-
Dak.D.POZ93.117700	Slim - 700 mm.....	pcs	-
Dak.D.POZ93.117800	Slim - 800 mm.....	pcs	-
Dak.D.POZ93.117900	Slim - 900 mm.....	pcs	-
Dak.D.POZ93.1171000	Slim - 1.000 mm.....	pcs	-