

RETRACTABLE CEILING LADDER AND ACCESSORIES



INDEX

1. Code Registry
2. Use
3. Accessories
4. Technical Specification

1. CODE REGISTRY

Code	Description	(mm)	Weight	Pkg. / Pallet
SCA01-590/0	Retractable ceiling ladder and accessories	500 x 700	45 kg/pc.	1 pc. / 4 pcs.
SCA01-590/1	Retractable ceiling ladder and accessories	500 x 800	45 kg/pc.	1 pc. / 4 pcs.
SCA01-590/8	Retractable ceiling ladder and accessories	500 x 900	45 kg/pc.	1 pc. / 4 pcs.
SCA01-590/2	Retractable ceiling ladder and accessories	500 x 1.000	45 kg/pc.	1 pc. / 4 pcs.
SCA01-590/1S	Retractable ceiling ladder and accessories	600 x 700	45 kg/pc.	1 pc. / 4 pcs.
SCA01-590/3S	Retractable ceiling ladder and accessories	600 x 800	45 kg/pc.	1 pc. / 4 pcs.
SCA01-590/4S	Retractable ceiling ladder and accessories	600 x 900	45 kg/pc.	1 pc. / 4 pcs.
SCA01-590/5S	Retractable ceiling ladder and accessories	600 x 1.000	45 kg/pc.	1 pc. / 4 pcs.
SCA01-590/6S	Retractable ceiling ladder and accessories	600 x 1.100	45 kg/pc.	1 pc. / 4 pcs.
SCA01-590/7S	Retractable ceiling ladder and accessories	600 x 1.200	45 kg/pc.	1 pc. / 4 pcs.
SCA01-590/2S	Retractable ceiling ladder and accessories	700 x 700	45 kg/pc.	1 pc. / 3 pcs.
SCA01-590/3	Retractable ceiling ladder and accessories	700 x 800	45 kg/pc.	1 pc. / 4 pcs.
SCA01-590/4	Retractable ceiling ladder and accessories	700 x 900	45 kg/pc.	1 pc. / 4 pcs.
SCA01-590/5	Retractable ceiling ladder and accessories	700 x 1.000	45 kg/pc.	1 pc. / 4 pcs.
SCA01-590/6	Retractable ceiling ladder and accessories	700 x 1.100	45 kg/pc.	1 pc. / 4 pcs.
SCA01-590/7	Retractable ceiling ladder and accessories	700 x 1.200	45 kg/pc.	1 pc. / 4 pcs.
SCA01-590/X	Retractable ceiling ladder and accessories	-	45 kg/pc.	1 pc. / - pc.

MATERIAL

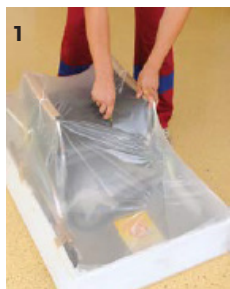
The entire scale is made of tropicalized steel, powder sealed steel while the frame is made of galvanized steel, white enamelled finish.

RETRACTABLE CEILING LADDER AND ACCESSORIES

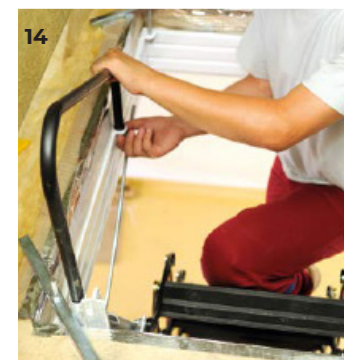
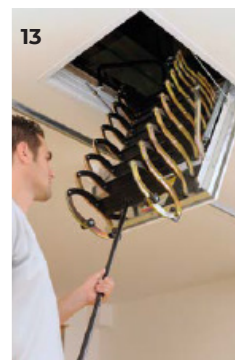
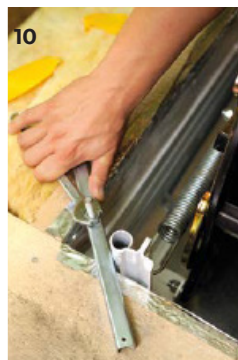
2. USE

Typically used inside houses and/or outbuildings and/or technical rooms to reach floors without the encumbrance of a fixed ladder. The ergonomic shape of the steps acts as a handrail during the correct use of the ladder both up and down.

1. Unscrew the ladder.
2. Remove the bag containing the components and the assembly instructions from the packaging.
3. Read the instructions and check that all components are present.
4. Install the 4 anchor bolts.
- 5-6. Two people lift the ladder up to the mezzanine and place it on the opening made earlier.
7. Install the ladder in the loft in the opening.
8. Position the ladder in the mezzanine.
9. A third person, already in the mezzanine, fixes the frame with 4 supports.



10. Install the loft ladder firmly in the ceiling.
11. Check that the loft ladder and the flap are securely fastened in place.
12. Open the flap of the ladder via the pole.
13. Allow the ladder to descend with the operating pole.
14. Install the safety rail (handle) for the loft ladder.
15. Stow the loft ladder away using the pole.
16. The other end of the post has a plastic and flap closure piece.



RETRACTABLE CEILING LADDER AND ACCESSORIES

"Supra" is made of tropicalized and hot enamelled steel, with bolted steps to allow for replacement and/or addition.

Available in a wide range of sizes, Supra is equipped with a fixing system that allows it to be positioned even on uneven slabs.

The special shape of the steps is extremely effective as a holding aid when using the ladder. The user can hold on symmetrically, either to the right or to the left, maintaining a position very close to the ladder axis, all with the benefit of feeling much safer while using it.

N.B.: Tread width 80 mm.

The steel is tropicalised and hot enamelled.

It is usually used inside houses to reach floors without taking up too much space with a fixed ladder.

Minimum hole dimensions (l x w): 700 x 500 mm
 Maximum hole dimensions (l x w): 1400 x 1000 mm
 Maximum roof strength: 1000
 Can be made to measure
 Maximum flow rate: 150 kg

Approximate opening (l' x l')			
Code	l' x l' (mm)	A (mm)	B (mm)
SCA01-590/0	500 x 700	2200 - 3200	300
SCA01-590/1	500 x 800	2200 - 3200	300
SCA01-590/8	500 x 900	2200 - 3200	300
SCA01-590/2	500 x 1.000	2200 - 3200	300
SCA01-590/1S	600 x 700	2200 - 3200	320
SCA01-590/3S	600 x 800	2200 - 3200	320
SCA01-590/4S	600 x 900	2200 - 3200	320
SCA01-590/5S	600 x 1.000	2200 - 3200	320
SCA01-590/6S	600 x 1.100	2200 - 3200	320
SCA01-590/7S	600 x 1.200	2200 - 3200	320
SCA01-590/2S	700 x 700	2200 - 3200	400
SCA01-590/3	700 x 800	2200 - 3200	400
SCA01-590/4	700 x 900	2200 - 3200	400
SCA01-590/5	700 x 1.000	2200 - 3200	400
SCA01-590/6	700 x 1.100	2200 - 3200	400
SCA01-590/7	700 x 1.200	2200 - 3200	400
SCA01-590/X * custom-made	Min. 500 x 700 Max 900 x 1400		-

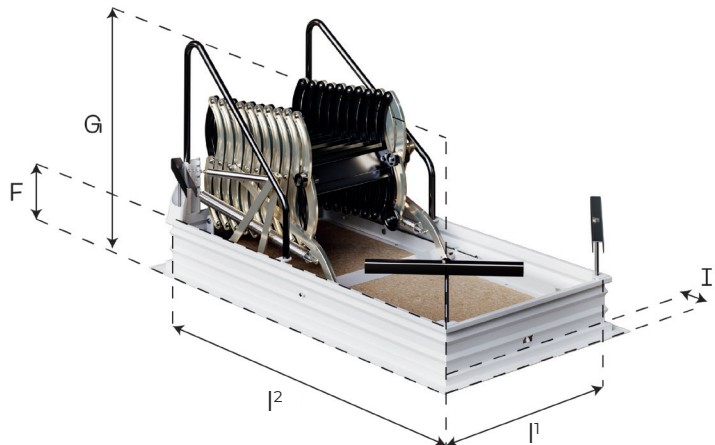
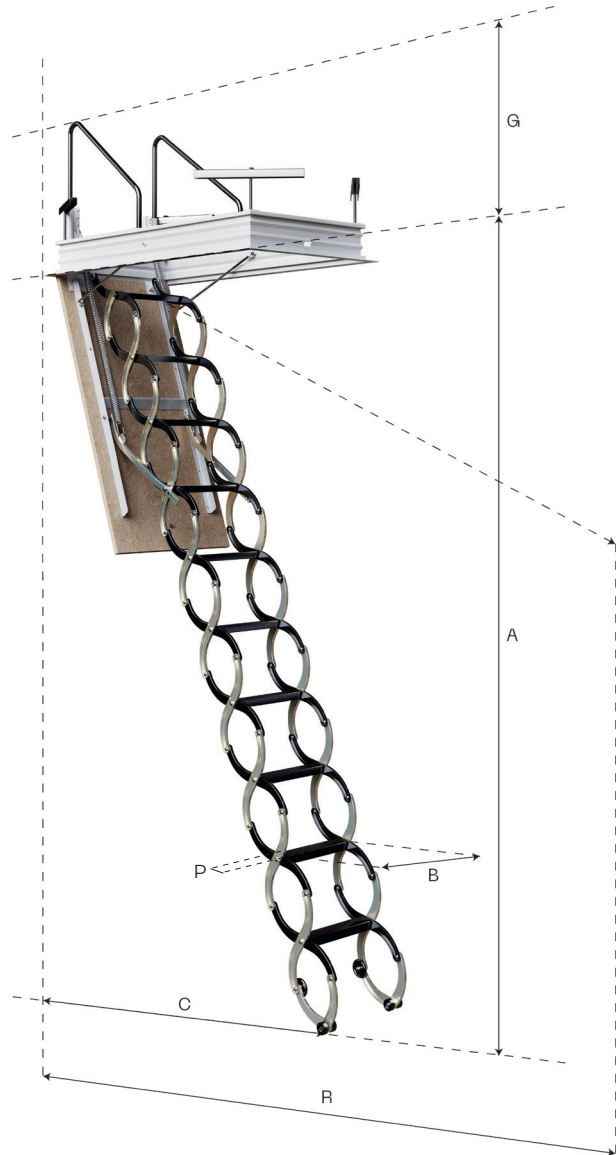
Footprint: dimensions C and R with different heights (A)		
A	C	R
3200	1400	2100
3100	1300	2000
3000	1200	1850
2900	1300	1800
2800	1450	1750
2700	1650	1700
2600	1400	1650
2500	1350	1600
2400	1000	1650
2300	1250	1600
2200	1350	1550

- A Height from floor to ceiling
- B Step width
- C Distance stair base hole
- F Frame height
- G Height of closed system
- I Exposed frame width
- R Maximum stair opening space
- P Tread 8 cm
- w Width of ceiling hole
- l Depth of ceiling opening

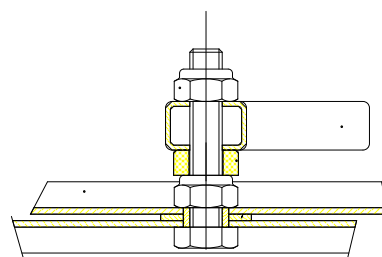
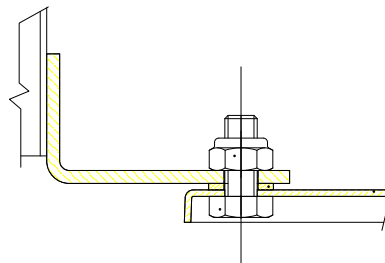
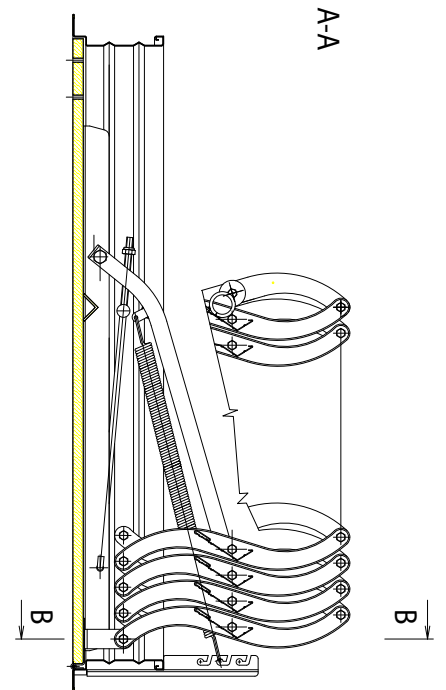
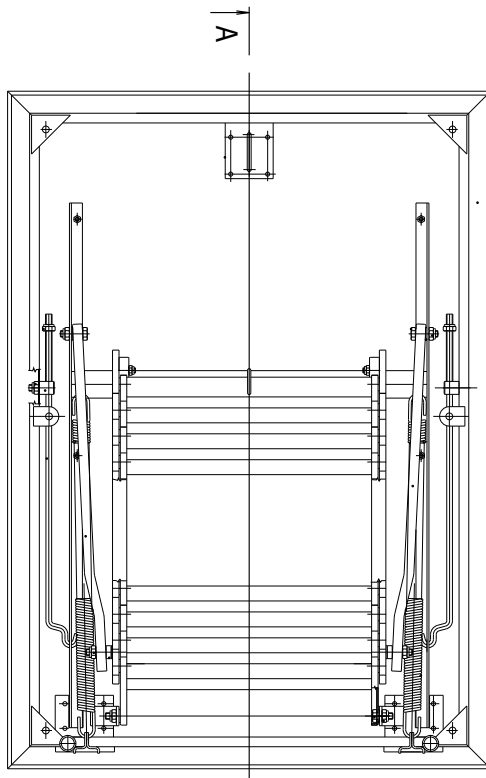
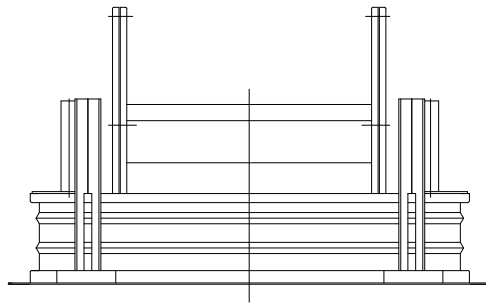
F = 140

G = 400

I = 24

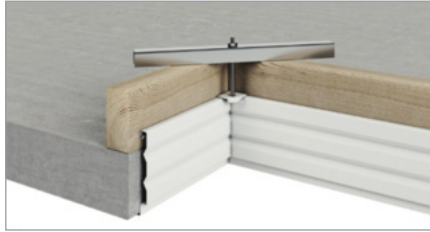


RETRACTABLE CEILING LADDER AND ACCESSORIES

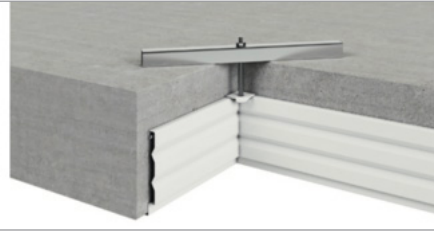


RETRACTABLE CEILING LADDER AND ACCESSORIES

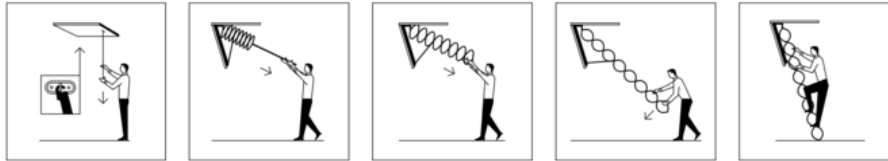
Installation with ceiling thickness below the frame



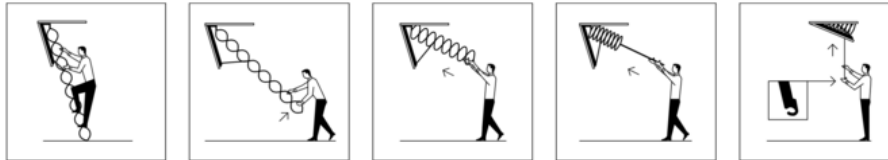
Installation with ceiling thickness greater than the frame



Apertura



Chiusura



3. ACCESSORIES



The step is used to increase the floor-to-ceiling height (allows height increase up to 250 mm). It is recommended to add no more than one.

The landing handle facilitates access to the floor and/or the start of the descent and springs can be used instead of mounted ones.

Item	Description	Measure (mm)	Weight	Pkg. / Pallet
SCA01-590/10	Step for 500 ladder (8 cm tread)	300	1,30 kg/pc.	1 pc. / - pc.
SCA01-590/11	Step for staircase 600 (8 cm tread)	420	2,00 kg/pc.	1 pc. / - pc.
SCA01-590/9	Step for staircase 700 (8 cm tread)	400	2,00 kg/pc.	1 pc. / - pc.
SCA01-590/P	Landing handle (Pair)	L 550 x A 20 x P 450	0,75 kg/pc.	1 pc. / - pc.
SCA01-590/B	Poles for Retractable Ladders	L 40 x A 20 x P 680	0,63 kg/pc.	1 pc. / - pc.
SCA01-590/S	Lock for Retractable Ladder	L 80 x A 80 x P 80	0,25 kg/pc.	1 pc. / - pc.
SCA01-590/M	Springs for Retractable Ladder (Pair)	L 70 x A 40 x P 530	1,1 kg/pc.	1 pc. / - pc.

MATERIALE

Made of tropicalized powder-coated steel.

RETRACTABLE CEILING LADDER AND ACCESSORIES

4. TECHNICAL SPECIFICATION

Item	Description	Unit	Price
Dak.I.SCA01.590/x	The "Supra" retractable staircase is manufactured with bolted treads for easy replacement or addition. It is available in a wide range of sizes (see table) for a maximum floor-to-ceiling height of 3,200 mm (maximum height achievable with optional step(s) and a tread width of 80 mm). The "Supra" retractable ladder is equipped with a fixing system that allows it to be positioned even on uneven slabs. It is also equipped with a lock and an "open-close" stick, individually shrink-wrapped. The ladder pack is made of powder-coated tropicalized steel while the frame is made of white enamelled galvanised steel. Usually used inside houses and/or utility rooms to reach floors without the encumbrance of a fixed ladder. The ergonomic shape of the steps acts as a handrail during the correct use of the ladder both up and down.		
Dak.I.SCA01.590/0	Dimensions 500 x 700 mm.....	pc.	-
Dak.I.SCA01.590/1	Dimensions 500 x 800 mm.....	pc.	-
Dak.I.SCA01.590/8	Dimensions 500 x 900 mm.....	pc.	-
Dak.I.SCA01.590/2	Dimensions 500 x 1.000 mm.....	pc.	-
Dak.I.SCA01.590/1S	Dimensions 600 x 700 mm.....	pc.	-
Dak.I.SCA01.590/3S	Dimensions 600 x 800 mm.....	pc.	-
Dak.I.SCA01.590/4S	Dimensions 600 x 900 mm.....	pc.	-
Dak.I.SCA01.590/5S	Dimensions 600 x 1.000 mm.....	pc.	-
Dak.I.SCA01.590/6S	Dimensions 600 x 1.100 mm.....	pc.	-
Dak.I.SCA01.590/7S	Dimensions 600 x 1.200 mm.....	pc.	-
Dak.I.SCA01.590/2S	Dimensions 700 x 700 mm.....	pc.	-
Dak.I.SCA01.590/3	Dimensions 700 x 800 mm.....	pc.	-
Dak.I.SCA01.590/4	Dimensions 700 x 900 mm.....	pc.	-
Dak.I.SCA01.590/5	Dimensions 700 x 1.000 mm.....	pc.	-
Dak.I.SCA01.590/6	Dimensions 700 x 1.100 mm.....	pc.	-
Dak.I.SCA01.590/7	Dimensions 700 x 1.200 mm.....	pc.	-
Dak.I.SCA01.590/X	pc.	-

Item	Description	Unit	Price
Dak.I.SCA01.590/x	Additional step for "Supra" stairs, both floor and wall mounted, available in widths 300, 320 and 400 mm. Landing handle to facilitate climbing. Stairs, springs and lock. Made of tropicalised, powder-coated steel. Used to increase the floor-to-ceiling height (allows height increase up to 250 mm). It is advisable to add no more than one. The landing handle facilitates access to the ceiling and/or the start of the descent. Springs to replace mounted ones.		
Dak.I.SCA01.590/10	Dimensions 300 mm.....	pc.	-
Dak.I.SCA01.590/11	Dimensions 320 mm.....	pc.	-
Dak.I.SCA01.590/9	Dimensions 400 mm.....	pc.	-
Dak.I.SCA01.590/P	pc.	-
Dak.I.SCA01.590/B	pc.	-
Dak.I.SCA01.590/S	pc.	-
Dak.I.SCA01.590/M	pc.	-