

WINDOW ROLLER BLIND DK 500V



INDEX

1. Code Registry
2. Description
3. Use
4. Assembly instructions
5. Technical Specification

1. CODE REGISTRY

Code	Description	Dimensions (mm)	Weight	Pkg / Pallet
ROOF5-4080A	Window roller blind	550 x 780	0,61 kg/pc.	1 pc. / - pcs.
ROOF5-4081A	Window roller blind	550 x 980	0,61 kg/pc.	1 pc. / - pcs.
ROOF5-4087A	Window roller blind	660 x 980	0,61 kg/pc.	1 pc. / - pcs.
ROOF5-4082A	Window roller blind	660 x 1.180	0,61 kg/pc.	1 pc. / - pcs.
ROOF5-4083A	Window roller blind	780 x 980	0,61 kg/pc.	1 pc. / - pcs.
ROOF5-4084A	Window roller blind	780 x 1.180	0,61 kg/pc.	1 pc. / - pcs.
ROOF5-4085A	Window roller blind	780 x 1.400	0,61 kg/pc.	1 pc. / - pcs.
ROOF5-4088A	Window roller blind	940 x 980	0,61 kg/pc.	1 pc. / - pcs.
ROOF5-4086A	Window roller blind	1.140 x 1.180	0,61 kg/pc.	1 pc. / - pcs.
ROOF5-4089A	Window roller blind	1.340 x 980	0,61 kg/pc.	1 pc. / - pcs.

MATERIAL Made of aluminum.

2. DESCRIPTION

Motorized roller blind with electric power unit for attic windows DK 500V

3. USE

Used as external cover of the windows, electrically motorized.

WINDOW ROLLER BLIND DK 500V

4. ASSEMBLY INSTRUCTIONS

IMPORTANT PREMISE:

UNDER NO CIRCUMSTANCES SHOULD THE SHUTTER BE OPERATED ELECTRICALLY UNTIL INSTALLATION IS COMPLETE.



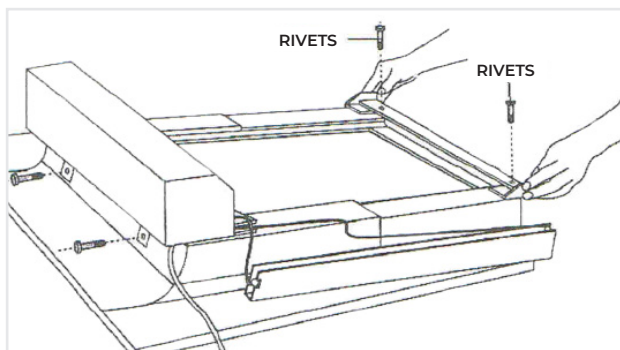
1)

Lay the box on the solar panel collector, leaving the side rails free, which will be held by the tow cables



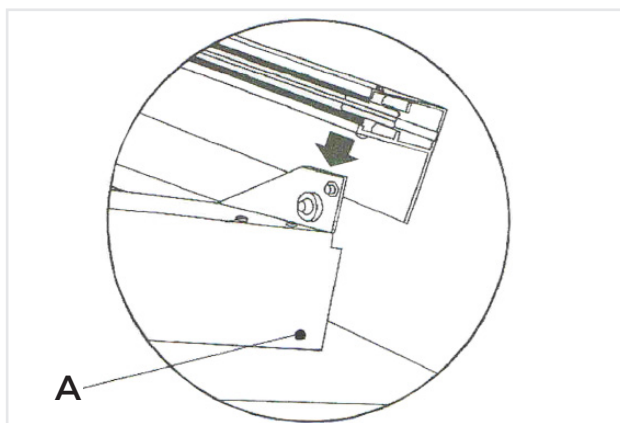
2)

The angle bracket with needle rollers must be fastened with rivets or screws with nuts.



3)

Then it is necessary to drill and fasten the angle itself on the front, again using rivets (as shown in the figure)



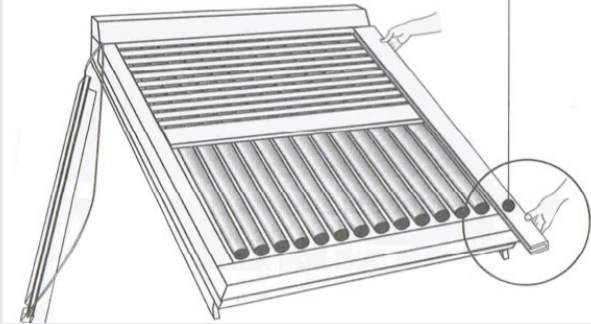
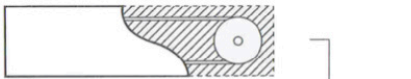
4)

Detail of the front.

A - Drill 4 mm, rivet both sides

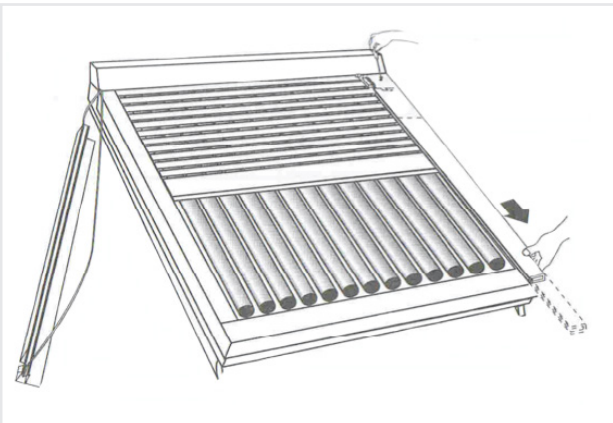
WINDOW ROLLER BLIND DK 500V

Detail of the cable in the roll



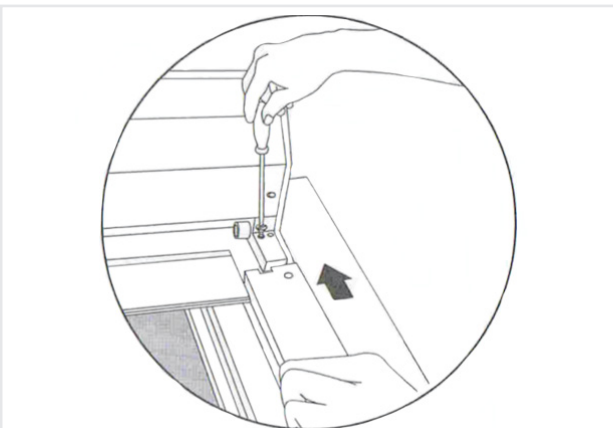
5)

Stretch the cable by holding it in the groove of the thread guide roller, holding the guide with your hand, then SLOWLY unscrew and REMOVE the screw on the housing joint.



6)

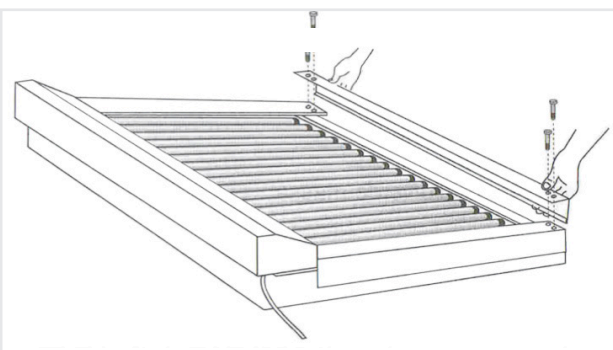
Secure the guide with the screw removed earlier



7)

Detail

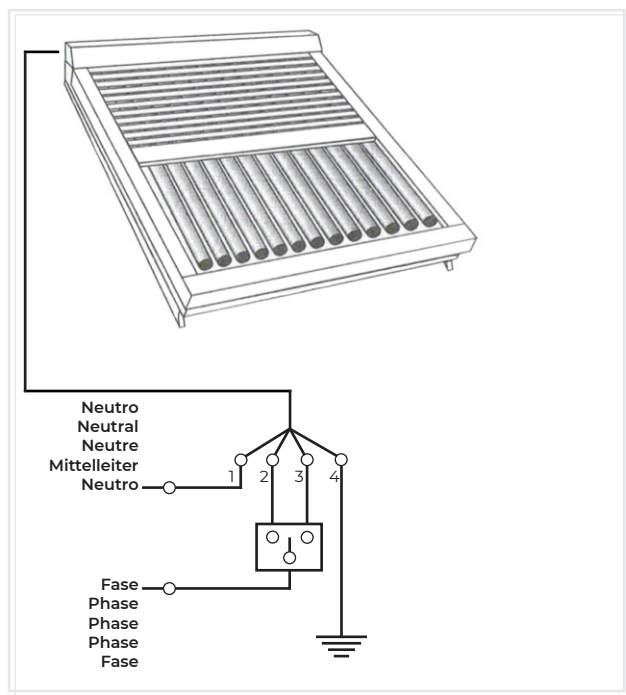
Repeat the operation on the other rail



3)

Also fix the "L" terminal to the end of the shutter using the screws provided and proceed with fixing the guides using the brackets supplied. It is possible to drill holes along the entire length of the guides, the reinforcement flap underneath, (for standard models the hole is already present to facilitate fixing).

WINDOW ROLLER BLIND DK 500V



9)

Check the exact cross-section of the power supply cables, which must be suitably dimensioned according to the actuator's power consumption. The electrical connection must be made as shown in the diagram above. Ensure that the electrical system complies with current regulations.

Power supply 220 volts AC ± 5%

Cable 1 = Grey-common
Cable 2 = Brown
Cable 3 = Black
Cable 4 = Yellow/Green-mass

It is possible to connect the roller shutter to a push button, radio control units, dedicated thermostats.

Acting on the button, which will be properly installed, the shutter will operate. If any malfunctions occur during testing, recheck all the installation operations carried out beforehand.

Do not persist with electrical operation.

Contact the supplier company.

It is possible to connect several shutters in parallel, using relays or contactors.

SHALL NOT BE LIABLE FOR ANY TAMPERING, IMPROPER INSTALLATION OR ELECTRICAL CONNECTIONS.

WARNING: Do not operate the shutter in icy or snowy conditions!

TECHNICAL DATA
POWER SUPPLY 220 V - 95W
THRUST FORCE 8 NM
TRAVEL SPEED 12 RPM
LIMIT SWITCH CLOSING - OPENING
BUILT-IN ADJUSTABLE
PROTECTION RATING IP 44

4. TECHNICAL SPECIFICATION

Specification	Description	Unity	Price
Dak.R.ROOF5.408xA	Supply and installation of Motorized roller blind with electric power unit for attic windows DK 500V. Made of aluminum. Used as external cover of the windows, electrically motorized.		
Dak.R.ROOF5.4080A	Dimensions 550 x 780 mm.....	pc.	-
Dak.R.ROOF5.4081A	Dimensions 550 x 980 mm	pc.	-
Dak.R.ROOF5.4087A	Dimensions 660 x 980 mm.....	pc.	-
Dak.R.ROOF5.4082A	Dimensions 660 x 1.180 mm.....	pc.	-
Dak.R.ROOF5.4083A	Dimensions 780 x 980 mm.....	pc.	-
Dak.R.ROOF5.4084A	Dimensions 780 x 1.180 mm.....	pc.	-
Dak.R.ROOF5.4085A	Dimensions 780 x 1.400 mm.....	pc.	-
Dak.R.ROOF5.4088A	Dimensions 940 x 980 mm.....	pc.	-
Dak.R.ROOF5.4086A	Dimensions 1.140 x 1.180 mm.....	pc.	-
Dak.R.ROOF5.4089A	Dimensions 1.340 x 980 mm.....	pc.	-