

OUTDOOR SPACER FOR TILES



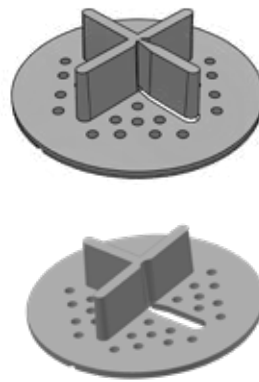
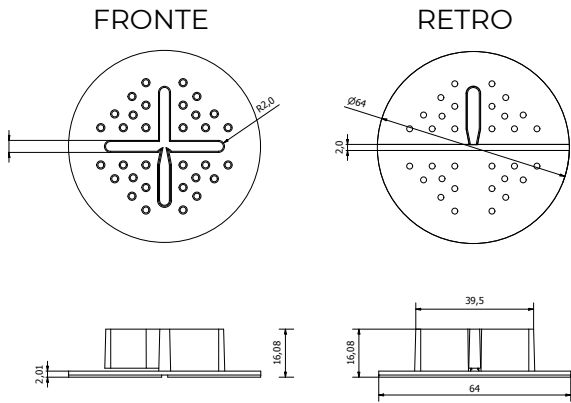
INDEX

1. Code registry
2. Description
3. Use
4. Technical specification

1. CODE REGISTRY

Code	Description	Dimension (mm)	Weight	Pkg / Pallet
TER04-4300	Outdoor Spacer for Tiles - 100 pcs.	thick. 4 - ø 64	2 gr/pcs	10 bags 200 boxes
TER04-4300N	Black Outdoor Spacer for Tiles - 100 pcs	thick. 4 - ø 64	2 gr/pcs	10 bags 200 boxes

MATERIAL TER04-4300 made of PS (polystyrene crystal) - TER04-4300N made of PP (polypropylene)



Pre-cut fin ensures easy removal to enable "T" laying

2. DESCRIPTION

X shape tile spacer for outdoor.
100 pcs. per bag.

3. USE

Used as a spacer in the tiling

4. TECHNICAL SPECIFICATION

Specification	Description	Unity	Price
Dak.D.TER04.4300 Dak.D.TER04.4300N	X shape tile spacer for outdoor Available in transparent color (TER04-4300) or black color (TER04-4300N) Made of PS (crystal polystyrene - TER04-4300) or PP (TER04-4300N) Used as a spacer in the tiling	pc.	-