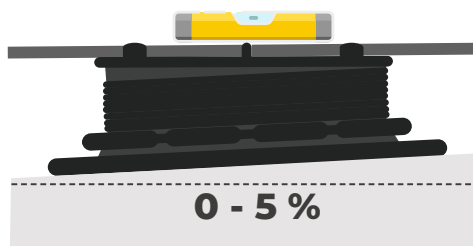


HERCULES - ADJUSTABLE SUPPORT DECKING SELF-LEVELING HEAD



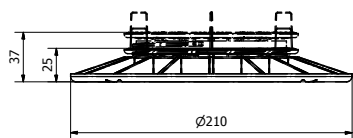
INDEX

1. Code registry
2. Description
3. Use
4. Carrying capacity
5. Fields of use
6. Technical specification

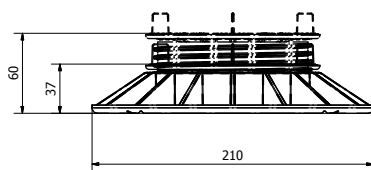
1. CODE REGISTRY

Code	Description	Dimensions (mm)	Weight	Pkg / Pallet
TER09-1183/1L25	Self-Leveling Head Hercules for decking	from 25 to 37	0,223 Kg	30 pcs. / 720 pcs.
TER09-1183/1L37	Self-Leveling Head Hercules for decking	from 37 to 60	0,284 Kg	30 pcs. / 480 pcs.
TER09-1183/1L60	Self-Leveling Head Hercules for decking	from 60 to 94	0,408 Kg	25 pcs. / 300 pcs.
TER09-1183/1L94	Self-Leveling Head Hercules for decking	from 94 to 150	0,543 Kg	20 pcs. / 160 pcs.
TER09-1183/1L150	Self-Leveling Head Hercules for decking	from 150 to 270	0,736 Kg	15 pcs. / 120 pcs.
TER09-1183/P120	Extension only for Hercules 150 - 270	h. 120	0,186 Kg	30 pcs. / 1.200 pcs.
TER09-1183CHI	Adjustment key for Hercules	-	0,200 Kg	12 pcs. / -

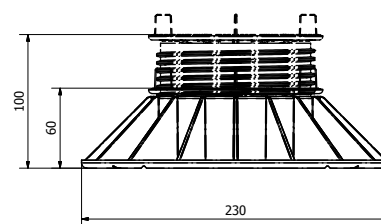
MATERIAL Made of PP (polypropylene).



TER09-1183/1L25

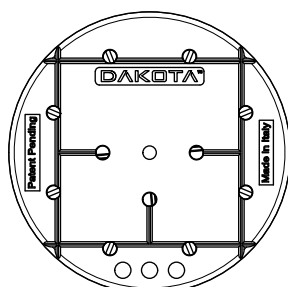
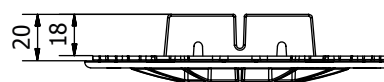
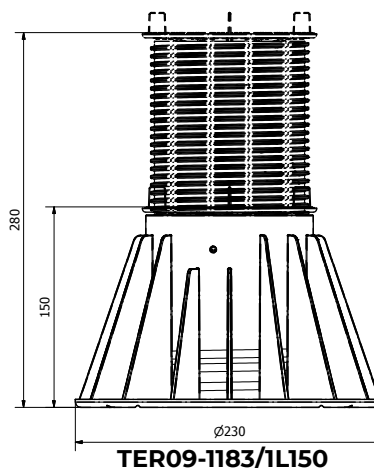
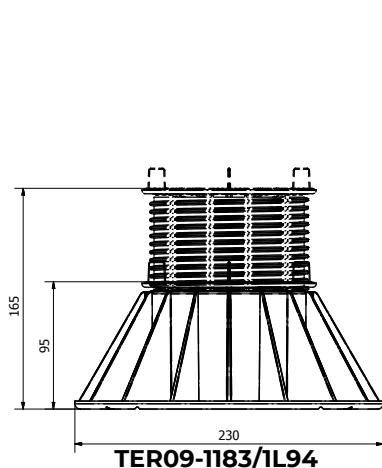


TER09-1183/1L37

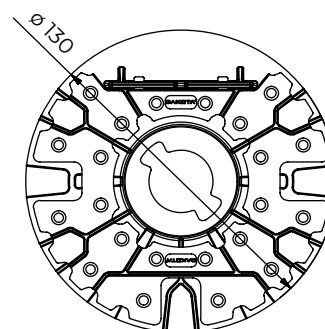


TER09-1183/1L60

HERCULES - ADJUSTABLE SUPPORT DECKING SELF-LEVELING HEAD



BACK BASE



SELF-LEVELING HEAD

2. DESCRIPTION

Hercules adjustable support for outdoor flooring, with adjustable height from min. 25 to max. 390 mm (depending on the model used). Each pack contains the complete disassembled support with base, screw and self-levelling head (till 5%) for decking for fixing the joist. The head of the holder is equipped with integrated anti-noise rubber. Only the model from h. 150 to 270 mm can be extended by applying the specific extension h. 120 mm (TER09-1183 / P120). The finalization of the adjustment of the support takes place with the floor installed using the appropriate key.

3. USE

Used in external areas, terraces, pavements.

The use of polishing and sanding machines is not recommended.

4. CARRYING CAPACITY

- Minimum load capacity = 15 kN (totally extended)
- Maximum load capacity = 30 kN (completely not extended)

5. FIELDS OF USE

Waterproof membrane, hard insulating panels, squids and solid and compact pose plans

HERCULES - ADJUSTABLE SUPPORT DECKING SELF-LEVELING HEAD



TER09-1183/P120



TER09-1183/CHI

6. TECHNICAL SPECIFICATION

Code	Description	Unit	Price
Dak.D.TER09.1183/1Lxxx	Supply and installation of adjustable support with self-leveling head "Hercules", for external decking. Dimensions from min. 25 to max. 390 mm (depending on the model used). Available in black colour Made of polypropylene Used in external areas, terraces, pavements.	pc.	-
Dak.D.TER09.1183/1L25	Hercules with self-leveling head from 25 to 37 mm and base diameter of 210 mm.....	pc.	-
Dak.D.TER09.1183/1L37	Hercules with self-leveling head from 37 to 60 mm and base diameter of 210 mm.....	pc.	-
Dak.D.TER09.1183/1L60	Hercules with self-leveling head from 60 a 94 mm and base diameter of 230 mm.....	pc.	-
Dak.D.TER09.1183/1L94	Hercules with self-leveling head from 94 a 150 mm and base diameter of 230 mm.....	pc.	-
Dak.D.TER09.1183/1L150	Hercules with self-leveling head from 150 a 270 mm and base diameter of 230 mm.....	pc.	-
Dak.D.TER09.1183/P120	Extension h.120mm in polypropylene compatible with Hercules support 150, TER09-1183/1F150	pc.	-