

FINISHING PROFILES FOR BALCONIES



INDEX

1. Code registry
2. Description
3. Use
4. Installation
5. Maintenance
6. Technical specification

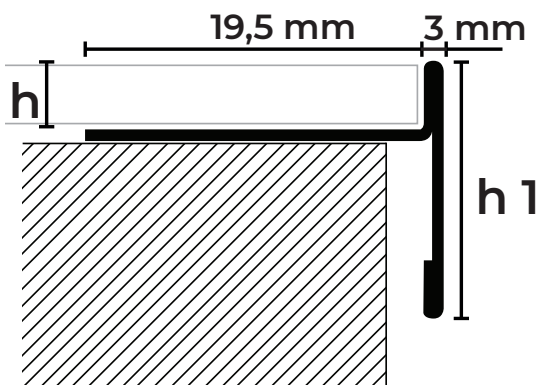
1. CODE REGISTRY

Codice	Descrizione	Colore	Misure (mm)	Peso	Pkg. / Pallet
PRO21-2070/125	Finishing Profile for Balconies	Ash Gray*	h 12,5 x a 45 x 2.700	0,454 kg/m	5 pc / - m
PRO21-2071/125	Finishing Profile for Balconies	Antique Gray*	h 12,5 x a 45 x 2.700	0,454 kg/m	5 pc / - m

* New colors upon request. Minimum order 200 pieces

MATERIAL

Made of Aluminum-Magnesium-Silicon alloy (6060 T6) painted ash gray (RAL 7038) and antique gray. Possibility of choosing from additional colors present.



Measurements expressed in mm

AVAILABLE COLORS

COLOR ASH GRAY	COLOR ANTIQUÉ GRAY	COLOR RAL GRAY 9007	COLOR RAL BROWN 8019	COLOR RAL RUST	COLOR RAL WHITE 9003

FINISHING PROFILES FOR BALCONIES

2. DESCRIPTION

Horizontal profile suitable for protecting and finishing the outer edges of terraces and balconies.
Recommended for tiles or marble with thickness from 10 to 12 mm.

3. USE

Used as a finish for the outer edges of terraces and balconies, it also has the function of protecting the edges of paving tiles.
The special section also allows its use to protect edges of steps or sidewalks by concealing the joint between tread and riser.

4. INSTALLATION

Take the profile out of the package.
Verify that the profile selected conforms to the thickness of the flooring.
Remove, where present, the guard to safeguard the protection.
Check the necessary dimensions and make the necessary cuts, using a suitable tool.
Using the notched trowel, shave the adhesive onto the laying surface.
Press the profile until the previously shaved adhesive comes out.

Lay the floor until the floor is fully aligned with the profile or slightly higher.
The floor should be laid while maintaining the chosen joint spacing.

Seal the joint with appropriate material also the gap left between the floor and profile.
Clean with soft sponge and water the jointing material, glues or other used within 10 minutes after application.

5. MAINTENANCE

The care and maintenance of the materials used to make these profiles are closely related to the type of alloy and/or finish used.
The indications below describe those operations to which the profile should be subjected in order to restore its original appearance as much as possible.
The intent of the present is to provide all those general indications that may serve as suggestions in the choice of times and methods for cleaning, but which will necessarily have to be verified on a case-by-case basis.

It should be noted that there are precise specific responsibilities at each stage of the life of the artifact already from its installation.

They do not require special maintenance and are easily treated with colorless alcohol diluted in water or by the use of normal detergents, provided they are not acid-based (e.g., hydrochloric or hydrofluoric acid).
Cleaners manufactured by different manufacturers and sold under different trade names are generally used for cleaning operations.

Three types of products are generally available:

- Alkaline type
- Neutral type
- Acid type

Neutral detergents diluted in water and a rinse with water only are recommended for cleaning, using non-abrasive sponges and/or cloths to avoid scratching and/or damaging the anodizing, polishing, and painting.

The following aspects must absolutely be paid attention to during cleaning:

- Do not use acid or alkaline cleaners, as they can damage the aluminum;
- Do not use abrasive products and/or materials;
- Do not use organic solvents in the case of painted surfaces;
- Do not use cleaners whose chemical composition is unknown;
- Do not apply cleaning products directly to surfaces to be cleaned;
- Surfaces, during cleaning, should be "cool" (T°max = 30°C) and not directly exposed to the sun;
- Detergents used for cleaning must themselves be "cold" (T°max = 30°C) and steam-spraying equipment should not be used.

In any case, the last stage of cleaning is always a proper water rinse of the treated parts, followed by immediate drying using cloths or soft leather.

Maintenance by polishing or similar products is not necessary.

Carry out thorough cleaning of the profiles promptly, according to the instructions on the product packaging, to prevent any deposits of cement, grouting material or similar products from attacking their surface layers.

6. TECHNICAL SPECIFICATION

Item	Description	Unit	Price
Dak.D.PRO21.207x/125	Supply and installation of Horizontal profile suitable for protection and finishing of exterior edges of terraces and balconies. Recommended for tiles or marble with thickness from 10 to 12.5 mm. Made of Aluminum-Magnesium-Silicon alloy (6060 T6) painted ash gray (RAL 7038) and antique gray. Used as protection and finishing of the outer edges of terraces and balconies, thus protecting the edges of paving tiles. The special section also allows its use to protect edges of steps or sidewalks by concealing the joint between tread and riser.		
Dak.D.PRO21.2070/125	Ash Gray	m	-
Dak.D.PRO21.2071/125	Antique Gray	m	-