

FOLDING STAINLESS STEEL STAIR



INDEX

1. Code Registry
2. Description
3. Use
- 4 Installation guide
5. Technical Specification

1. CODE REGISTRY

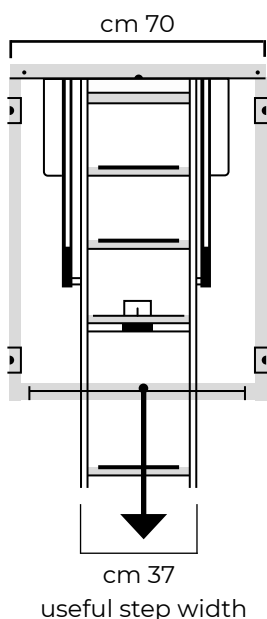
Code	Description	(mm)	Weight	Pkg. / Pallet
SCA05-855	4 Pieces stainless steel folding stair	700 x 900 x 2.800	40 kg/pc.	1 pc. / 4 pcs.
SCA05-856	4 Pieces stainless steel folding stair	700 x 1.000 x 3.000	40 kg/pc.	1 pc. / 4 pcs.
SCA05-857	3 Pieces stainless steel folding stair	700 x 1.200 x 3.000	40 kg/pc.	1 pc. / 4 pcs.
SCA05-858	3 Pieces stainless steel folding stair	700 x 1.300 x 3.000	40 kg/pc.	1 pc. / 4 pcs.
SCA05-855/X	3/4 Pieces stainless steel folding stair*	custom-made	40 kg/pc.	1 pc. / - pcs.

MATERIALE

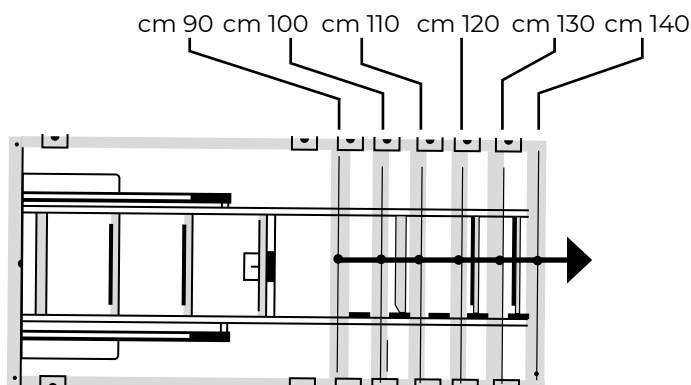
Made of galvanized and powder-coated steel according to UNI EN 14975:2007.
Maximum total load of 150 Kg

*upon request only

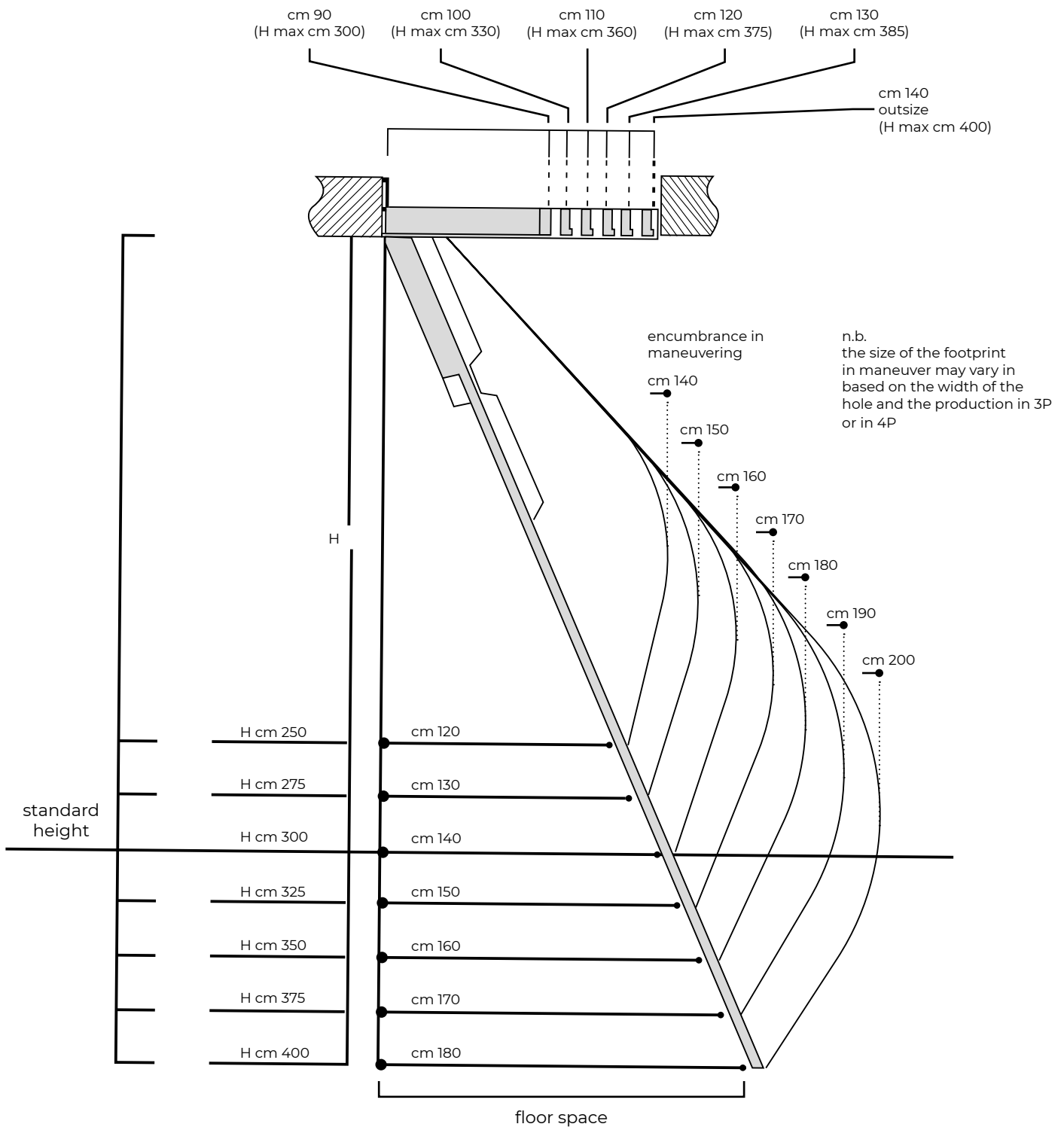
stair hole width
standard measures



ladder hole length standard measures



FOLDING STAINLESS STEEL STAIR



2. DESCRIPTION

Ladder package composed of tubular elements and tread sheet printed textured anti-slip, made of zinc-plated and powder coated.
 Tread width 370 mm.
 Individually packed.
 Available in the size of the entrance to the attic 700 x 900 x 2.800, 700 x 1.000 x 3.000, 700 x 1.200 x 3.000, 700 x 1.200 x 3.000 mm.

3. USE

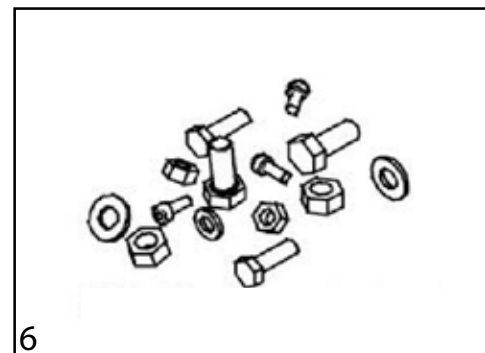
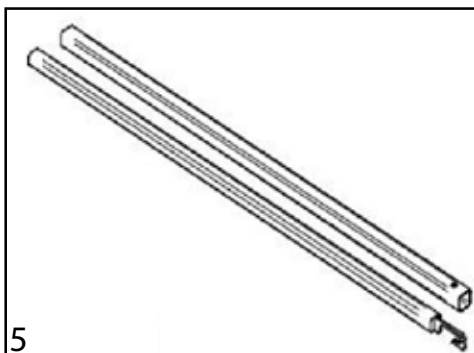
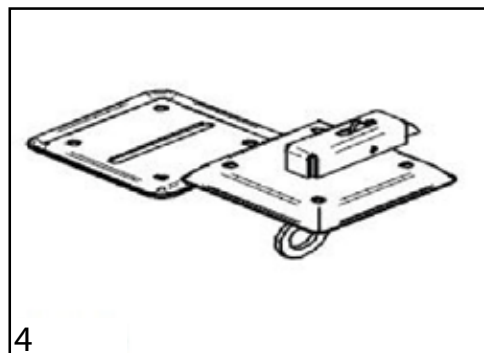
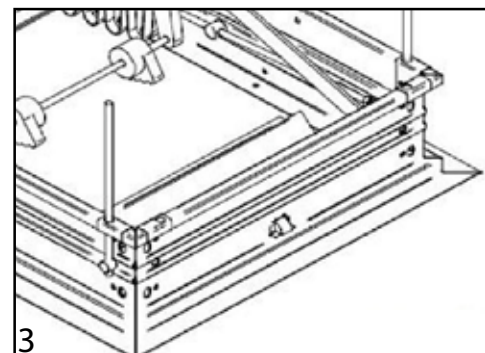
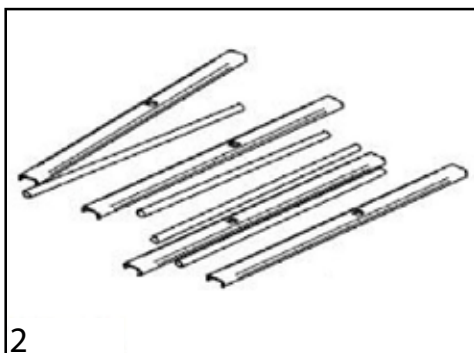
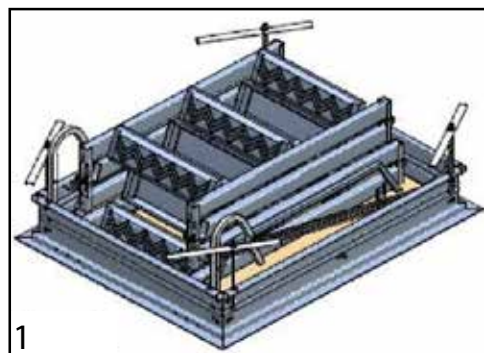
Usually used in homes to reach attics without the encumbrance of a fixed scale. The ladder can be folded up and disappear to make the ceiling indicated in the presence of a confined space.

FOLDING STAINLESS STEEL STAIR

4. INSTALLATION GUIDE

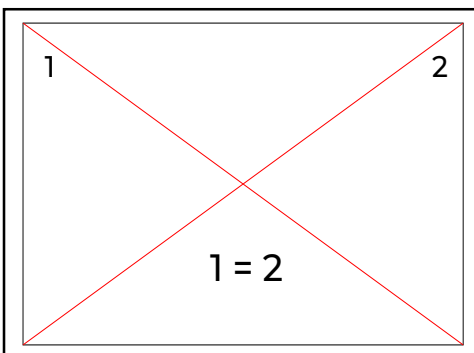
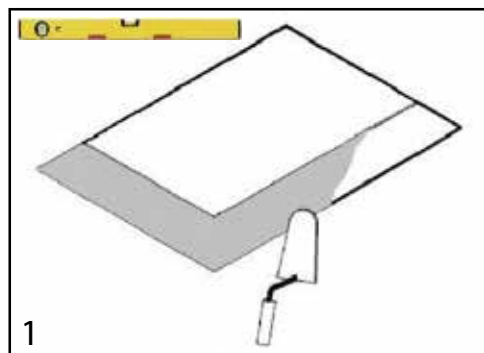
The assembly KIT consists of:

1. Retractable ladder
2. 4 threaded anchor bars
3. 4 brackets
4. Ratchet lock
5. Ladder opener rod
6. Hardware included



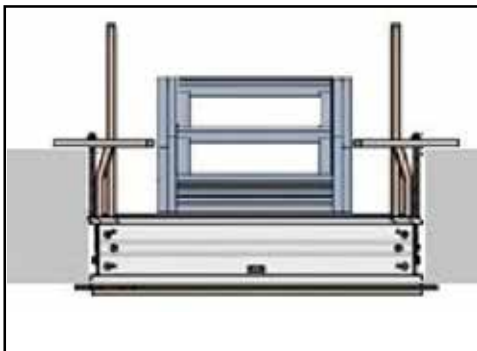
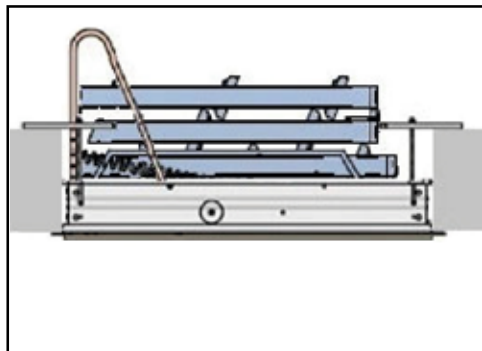
Preparazione dell'alloggiamento

1. Predisporre il foro finito A x B intonacato e spigolato
2. accertarsi che sia in bolla e che le diagonali corrispondano

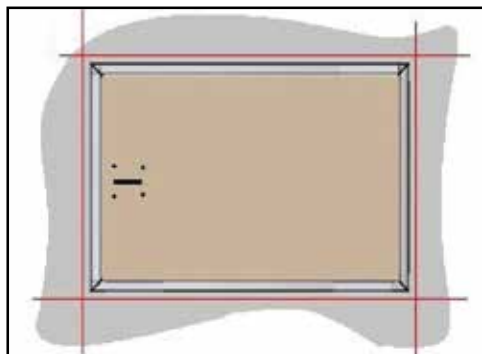


FOLDING STAINLESS STEEL STAIR

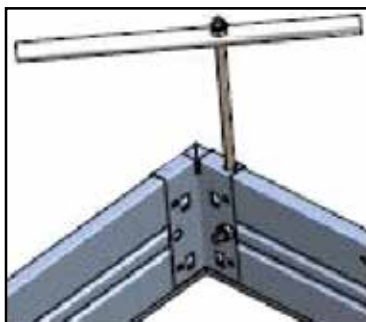
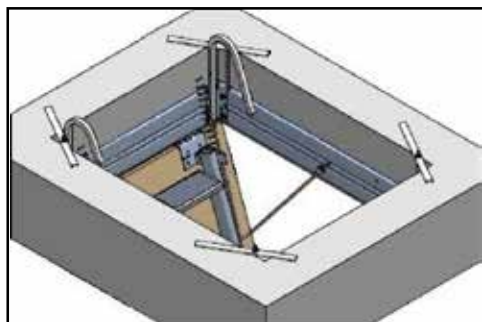
1. Inserire il cassonetto scala dentro al foro



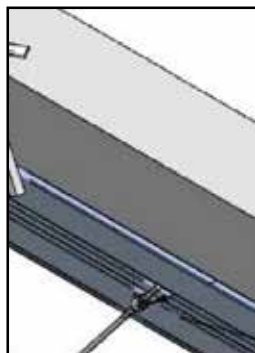
2. Leave a minimum of 5 cm free which is useful in case of wall flush, in order to make ther



3. Attach the 4 brackets to the threaded anchor bars and screw on the appropriate nuts to tighten



4. **Forbidden to wall**



FOLDING STAINLESS STEEL STAIR

After positioning and securing the ladder, mount the ratchet lock with the appropriate screws.

Ready-to-use ladder maneuverable manually with the appropriate opening stick.

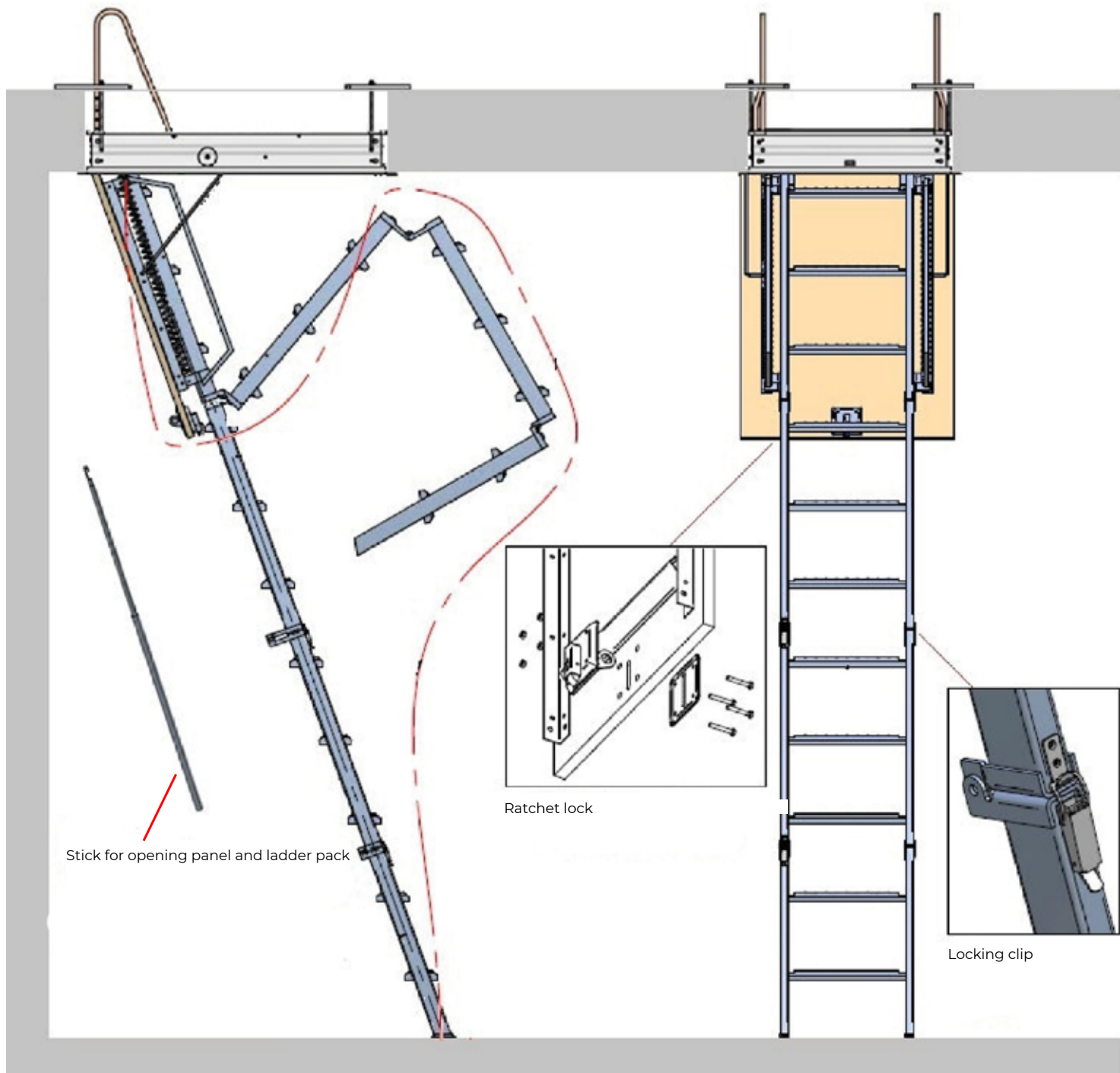
Hook the lock ring with the hook of the stick and open the panel, which will descend accompanied by the springs.

Once the panel is open, again with the same stick, grab the ladder pack and pull it toward you letting it fall to the ground.

Hook and stiffen the folding pieces of the ladder with the appropriate clip.

To close the ladder do the reverse operation, push the ladder pack into the panel until it stays packed and firm, then push the panel up to full seal until it stays locked.

Lubricate only with grease as needed at possible friction points such as joints.



FOLDING STAINLESS STEEL STAIR

5. TECHNICAL SPECIFICATION

Specification	Description	Unity	Price
Dak.I.SCA05.85x	Supply and installation of ladder package composed of tubular elements and tread sheet printed textured anti-slip, made of zinc-plated and powder coated. Tread width 370 mm. Individually packed. Available in the size of the entrance to the attic 700 x 900 x 2.800, 700 x 1.000 x 3.000, 700 x 1.200 x 3.000, 700 x 1.200 x 3.000 mm. Made of galvanized powder coated steel. Usually used in homes to reach attics without the encumbrance of a fixed scale. The ladder can be folded up and disappear to make the ceiling indicated in the presence of a confined space.		
Dak.I.SCA05.855	Dimension 700 x 900 x 2.800 mm.....	pz.	-
Dak.I.SCA05.856	Dimension 700 x 1.000 x 3.000 mm.....	pz.	-
Dak.I.SCA05.857	Dimension 700 x 1.200 x 3.000 mm.....	pz.	-
Dak.I.SCA05.858	Dimension 700 x 1.300 x 3.000 mm.*.....	pz.	-
Dak.I.SCA05.855/X	pz.	-

*upon request only