

RUSH LEVEL



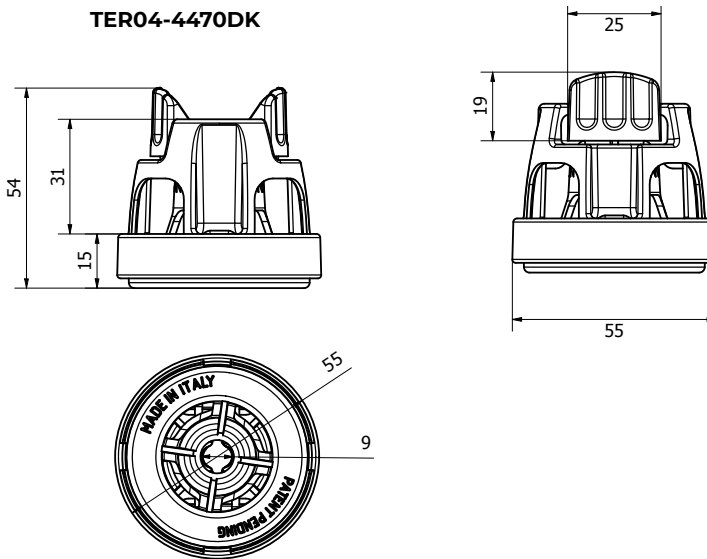
INDEX

1. Code Registry
2. Description
3. Use
4. Synoptic consumption per square meter
5. Technical Specification

1. CODE REGISTRY

Code	Description	Colour	(mm)	Weight	Bag / Pkg. / Pallet
TER04-4470DK	Rush Level™ Cylinder	Blue	-	0,93 kg/bag	50 pcs. / 8 bags / 120 bags

MATERIAL Made of PP (polypropylene).



2. DESCRIPTION

Rush Level™ System is a new generation of cylinder leveling system.

Main features are:

- It works with all spacer clips of any shape: linear, T and X shape.
- Very easy and fast to use: soft squeeze and push for initial set and squeeze again for quick release of the broken screws once used.
- Anti-scratch rubber pad integrated to prevent any marking.
- Wide working range for tiles from 3 to 22 mm and from 20 to 30 with linear screw TER04-4443DK (only for 3 mm thickness).
- Joint lines available: Linear 1, 1.5, 2, 2.5, 3 and 4 mm (3/64, 1/16, 5/64, 7/64, 1/8 and 5/32inch), Cross an T-shape 1, 2, 3 mm (3/64, 5/64 and 1/8inch) only.

Rush Level™ is available in two different packagings:

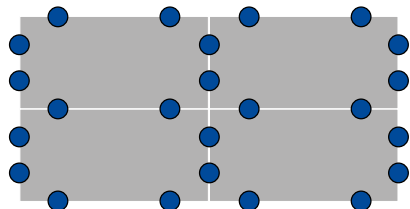
- Single bags composed of 100 disposable screws or 50 cylinders,
- Plastic box composed of 100 disposable linear screws and 50 leveling cylinders;

RUSH LEVEL

3. USE

Leveling system and spacer for floor and wall tiles of various sizes and thicknesses.

4. SYNOPTIC CONSUMPTION PER SQUARE METER

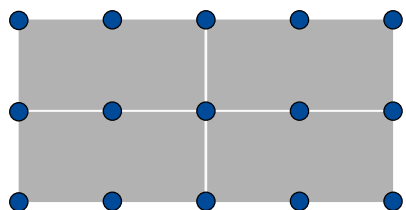


A														
10	200													
15	133	89												
20	100	67	50											
25	80	53	40	32										
30	100	67	50	40	44									
40	75	50	37	30	33	25								
45	67	44	33	27	30	22	20							
50	60	45	30	24	27	20	13	16						
60	50	33	25	20	22	17	15	10	11					
80	50	33	25	20	21	16	14	15	10	9				
90	44	30	22	18	19	14	12	15	9	8	7			
100	50	33	25	20	20	15	13	15	10	9	8	8		
120	42	28	21	17	17	13	11	15	8	7	6	7	6	
cm	10	15	20	25	30	40	45	50	60	80	90	100	120	B

A

B

EXAMPLE:
to lay a 40 x 40 cm tile
it takes 25 pcs/m²



A														
10	98													
15	65	43												
20	49	32	24											
25	39	26	19	15										
30	32	21	16	13	11									
40	49	32	24	19	16	18								
45	43	29	21	17	14	14	14							
50	39	26	19	15	13	14	13	11						
60	32	21	16	13	11	12	10	9	8					
80	36	24	18	14	12	12	10	9	8	7				
90	32	21	16	13	11	10	9	8	7	6	6			
100	29	19	14	11	9	9	8	7	6	6	5	4		
120	32	21	16	13	11	10	9	8	6	6	5	4	4	
cm	10	15	20	25	30	40	45	50	60	80	90	100	120	B

A

B

EXAMPLE:
to lay a 40 x 40 cm tile
it takes 18 pcs/m²

5. TECHNICAL SPECIFICATION

Specification	Description	Unity	Price
Dak.I.TER04.44xxDx	Supply and installation of Rush Level™: a new generation of cylinder leveling system. A system to remove any difference between tile and tile during the laying, obtaining a coplanar and equidistant result without any lippage. works with all spacer clips of any shape: linear, T and X shape. Anti-scratch rubber pad integrated to prevent any marking Made of PP (polypropylene). available in two different packaging: <ul style="list-style-type: none"> Single bags composed of 100 disposable screws or 50 cylinders, Plastic box composed of 100 disposable linear screws and 50 leveling cylinder 	bags	-
Dak.I.TER04.4470DK	Cylinder - Blue.....	bags.	-