

3D-TELESCOPIC SUPPORTS | SELF-LEVELING HEAD SLATS OF 4MM



INDEX

1. Code registry
2. Description
3. Use
4. Loaded test
5. Technical specification

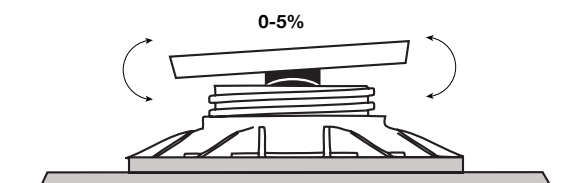
1. CODE REGISTRY

Code	Description	Measures (mm)	Weight	Pkg. / Pallet
TER09-112305N2	Self-Leveling 3D Scopic tile support provided with 4 wings for 4 mm slats	da 35 a 55	10 kg/cf.	40 pz. / 20 cf.
TER09-1123070N2	Self-Leveling 3D Scopic tile support provided with 4 wings for 4 mm slats	da 55 a 70	10 kg/cf.	40 pz. / 20 cf.
TER09-1123110N2	Self-Leveling 3D Scopic tile support provided with 4 wings for 4 mm slats	da 70 a 110	16 kg/cf.	40 pz. / 15 cf.
TER09-1123150N2	Self-Leveling 3D Scopic tile support provided with 4 wings for 4 mm slats	da 110 a 150	18 kg/cf.	40 pz. / 15 cf.
TER09-1123170N2	Self-Leveling 3D Scopic tile support provided with 4 wings for 4 mm slats	da 150 a 170	23 kg/cf.	40 pz. / 15 cf.
TER09-1123200N2	Self-Leveling 3D Scopic tile support provided with 4 wings for 4 mm slats	da 170 a 200	24 kg/cf.	40 pz. / 15 cf.
TER09-1123240N2	Self-Leveling 3D Scopic tile support provided with 4 wings for 4 mm slats	da 205 a 240	24 kg/cf.	35 pz. / 15 cf.
TER09-1123275N2	Self-Leveling 3D Scopic tile support provided with 4 wings for 4 mm slats	da 240 a 275	24 kg/cf.	30 pz. / 15 cf.
TER09-1123310N2	Self-Leveling 3D Scopic tile support provided with 4 wings for 4 mm slats	da 275 a 310	24 kg/cf.	20 pz. / 15 cf.
TER09-1123340N2	Self-Leveling 3D Scopic tile support provided with 4 wings for 4 mm slats	da 310 a 340	24 kg/cf.	20 pz. / 15 cf.
TER09-1123370N2	Self-Leveling 3D Scopic tile support provided with 4 wings for 4 mm slats	da 340 a 370	24 kg/cf.	20 pz. / 15 cf.
TER09-1123400N2	Self-Leveling 3D Scopic tile support provided with 4 wings for 4 mm slats	da 370 a 400	24 kg/cf.	20 pz. / 15 cf.
TER09-1123430N2	Self-Leveling 3D Scopic tile support provided with 4 wings for 4 mm slats	da 400 a 430	24 kg/cf.	20 pz. / 15 cf.
TER09-1123465N2	Self-Leveling 3D Scopic tile support provided with 4 wings for 4 mm slats	da 430 a 465	24 kg/cf.	20 pz. / 15 cf.
TER09-1123500N2	Self-Leveling 3D Scopic tile support provided with 4 wings for 4 mm slats	da 465 a 500	24 kg/cf.	15 pz. / 15 cf.
TER09-1123P2	Fixed head for Paving and for 3D-Scopico - 4 mm	h 10	-	1 pz. / - pz.

MATERIAL

Made of PP (polypropylene).

SELF-LEVELING HEAD



Self-levelling terminal with variable inclination from 0 to 5%.

3D-TELESCOPIC SUPPORTS | SELF-LEVELING HEAD SLATS OF 4MM

2. DESCRIPTION

3D-scopic tiles support with adjustable height from min. 35 to max. 500 mm according to the model. Each box includes a self-leveling head equipped with 4 wings of 10 mm, to be used for slats of 4 mm. Terminal leveling variable inclination from 0 to 5%. Adjustment of the support of 1,5 mm for each rotation of 90° (equal to 5 shots).

Fin for decking is an adjustable in width wing for the placement of wooden joists or similar. 60 mm long, snap-fit on terminal for the 3D support. It allows to position elements from 40 mm to 80 mm width. Fin for decking is a patented product.

3. USE

3D-scopic tiles support is used in external areas, terraces, pavements.

Fin for positioning wooden slats or similar

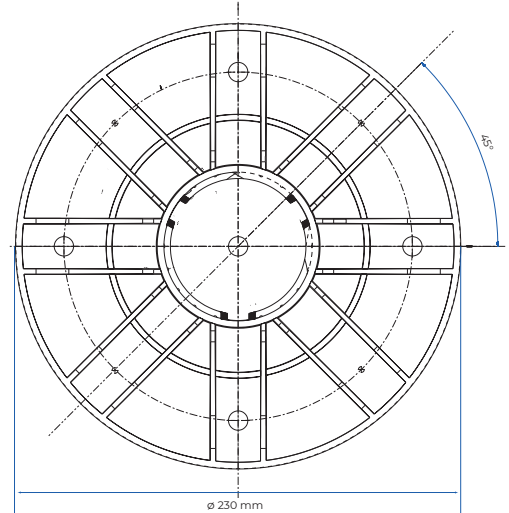
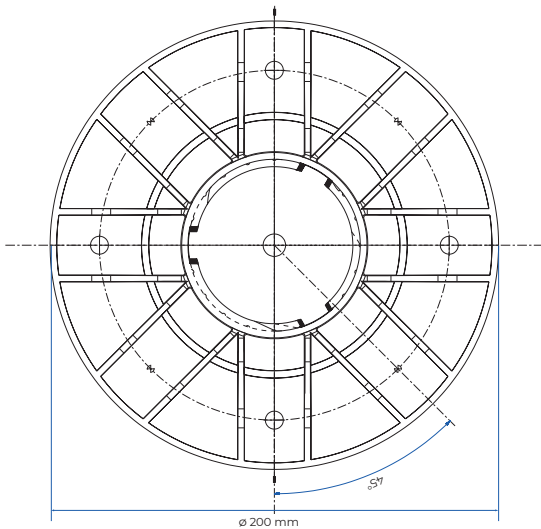
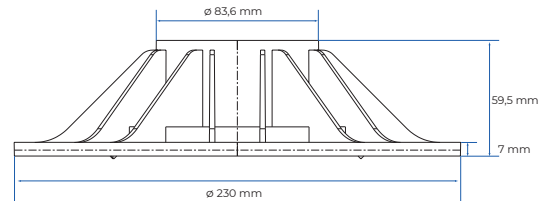
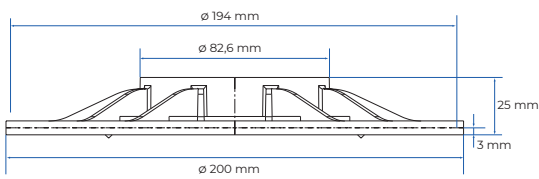
Flange for permanent locking of the 3D-scopic support

The use of polishing and sanding machines is not recommended

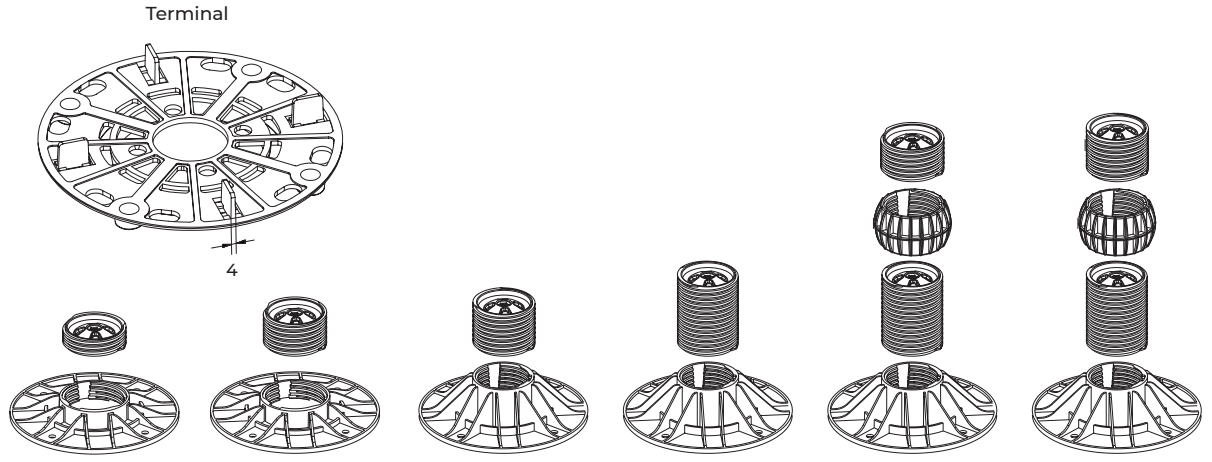


Low base

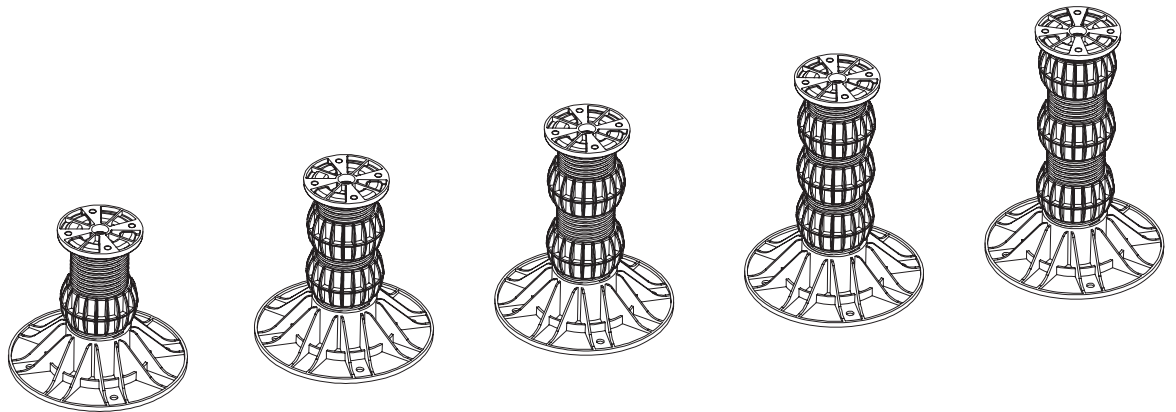
High base



3D-TELESCOPIC SUPPORTS | SELF-LEVELING HEAD SLATS OF 4MM

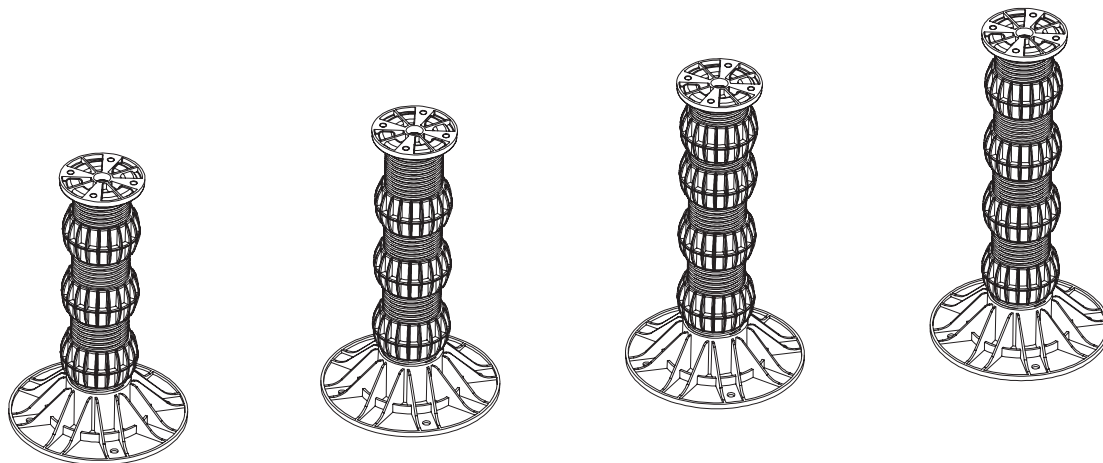


Adjustable height		35 - 55	55 - 70	70 - 110	110 - 150	150 - 170	170 - 200
BASE	ø (mm)	200 x 25	200 x 25	230 x 60	230 x 60	230 x 60	230 x 60
	peso (gr.)	170	170	290	290	290	290
SUPPORT 1	h (mm)	22	42	56	96	96	96
	peso (gr.)	40	60	75	105	105	105
RING	h (mm)					56	56
	peso (gr.)					80	80
SUPPORT 2	h (mm)					42	56
	peso (gr.)					60	75



Adjustable height		200 - 240	240 - 275	275 - 310	310 - 340	340 - 370
BASE	ø (mm)	230 x 60	230 x 60	230 x 60	230 x 60	230 x 60
	peso (gr.)	290	290	290	290	290
SUPPORT 1	h (mm)	96	96	96	96	96
	peso (gr.)	105	105	105	105	105
RING	h (mm)	56	56	56	56	56
	peso (gr.)	80	80	80	80	80
SUPPORT 2	h (mm)	96	72	96	72	96
	peso (gr.)	105	82	105	82	80
RING	h (mm)		56	56	56	56
	peso (gr.)		80	80	80	80
SUPPORT 3	h (mm)		56	72	72	96
	peso (gr.)		75	82	82	80
RING	h (mm)			56	56	56
	peso (gr.)			80	80	80
SUPPORT 4	h (mm)				56	42
	peso (gr.)				75	60

3D-TELESCOPIC SUPPORTS | SELF-LEVELING HEAD SLATS OF 4MM



Adjustable height		370 - 400	400 - 430	430 - 465	465 - 500
BASE	ø (mm)	230 x 60	230 x 60	230 x 60	230 x 60
	peso (gr.)	170	170	290	290
SUPPORT 1	h (mm)	96	96	96	96
	peso (gr.)	105	105	105	105
RING	h (mm)	56	56	56	56
	peso (gr.)	80	80	80	80
SUPPORT 2	h (mm)	96	96	96	96
	peso (gr.)	105	105	105	105
RING	h (mm)	56	56	56	56
	peso (gr.)	80	80	80	80
SUPPORT 3	h (mm)	96	96	96	96
	peso (gr.)	80	80	80	80
RING	h (mm)	56	56	56	56
	peso (gr.)	80	80	80	80
SUPPORT 4	h (mm)	72	96	72	96
	peso (gr.)	82	80	82	80
RING	h (mm)			56	56
	peso (gr.)			80	80
SUPPORT 5	h (mm)			56	72
	peso (gr.)			75	82

3D-TELESCOPIC SUPPORTS | SELF-LEVELING HEAD SLATS OF 4MM

4. PROVE DI CARICO

Code	Maximum load at yield [N]	Maximum load at yield [N]	Yeld deformation [mm]
TER09-1123055N2	51.589	5.259	13,2
TER09-1123070N2	30.400	3.099	19,7
TER09-1123100N2	16.903	1.723	14,2
TER09-1123150N2	26.143	2.665	14,3
TER09-1123170N2	23.073	2.352	20,0
TER09-1123200N2	14.001	1.427	17,0

5. VOCI DI CAPITOLATO

Voce	Descrizione	Unità	Prezzo
Dak.O.TER09.1123xxxN2	Supply and intallation of 3D-scopic tiles support with adjustable height from min. 35 to max. 500 mm according to the model. Each box includes a Self-Leveling head equipped with 4 wings of 10 mm, to be used for slats of 4 mm. Terminal leveling variable inclination from 0 to 5%. Adjustment of the support of 1,5 mm for each rotation of 90° (equal to 5 shots). Made of PP (polypropylene). Used in external areas, terraces, pavements.		
Dak.O.TER09.1123055N2	Measures from 35 to 55 mm.....	cf.	-
Dak.O.TER09.1123070N2	Measures from 55 to 70 mm.....	cf.	-
Dak.O.TER09.1123110N2	Measures from 70 to 110 mm.....	cf.	-
Dak.O.TER09.1123150N2	Measures from 110 to 150 mm.....	cf.	-
Dak.O.TER09.1123160N2	Measures from 150 to 170 mm.....	cf.	-
Dak.O.TER09.1123200N2	Measures from 170 to 200 mm.....	cf.	-
Dak.O.TER09.1123240N2	Measures from 205 to 240 mm.....	cf.	-
Dak.O.TER09.1123275N2	Measures from 240 to 275 mm.....	cf.	-
Dak.O.TER09.1123310N2	Measures from 275 to 310 mm.....	cf.	-
Dak.O.TER09.1123340N2	Measures from 310 to 340 mm.....	cf.	-
Dak.O.TER09.1123370N2	Measures from 340 to 370 mm.....	cf.	-
Dak.O.TER09.1123400N2	Measures from 370 to 400 mm.....	cf.	-
Dak.O.TER09.1123430N2	Measures from 400 a 430 mm.....	cf.	-
Dak.O.TER09.1123465N2	Measures from 430 a 465 mm.....	cf.	-
Dak.O.TER09.1123500N2	Measures from 465 a 500 mm.....	cf.	-
Dak.O.TER09.1123P2	Fixed head	pz.	-