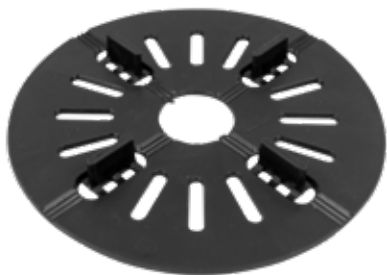


# RUBBER SEPARATOR FOR PLATES



## INDEX

1. Code Registry
2. Description
3. Use
4. Technical Specification

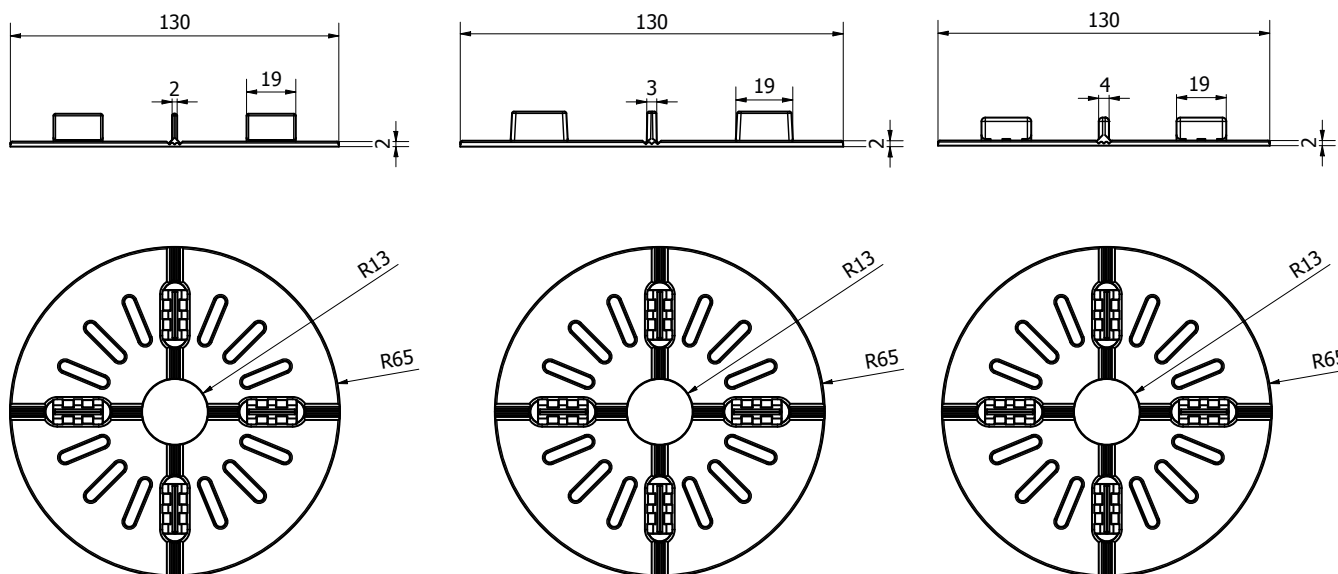
## 1. CODE REGISTRY

Code	Description	Dimension (mm)	Weight (kg/pcs.)	Pkg. / Pallet
TER09-1131/2	Anti-noise rubber pad for tiles with 4 removable spacer tabs (2 mm joint)	Tab 2 - ø 130	0,037	100 pcs. / 7.200 pcs.
TER09-1131	Anti-noise rubber pad for tiles with 4 removable spacer tabs (3 mm joint)	Tab 3 - ø 130	0,037	100 pcs. / 7.200 pcs.
TER09-1131/4	Anti-noise rubber pad for tiles with 4 removable spacer tabs (4 mm joint)	Tab 4 - ø 130	0,037	100 pcs. / 7.200 pcs.

**MATERIAL** Made of thermoplastic rubber (TPE)

## 2. DESCRIPTION

Anti-noise rubber separator for laying plates in outdoor environments, equipped with removable spacer fins. The fins are 18 mm high, with 2 - 3 - 4 mm joint thickness. The separator is 2 mm thick, 130 mm in diameter, and, thanks to the pre-cuts, can be easily divided up to 4 pcs.



## 3. USE

It reduces walkover noise and, thanks to the 4 removeable tabs for the grout lines, allows an easy laying of the tiles.

# RUBBER SEPARATOR FOR PLATES

## 4. TECHNICAL SPECIFICATION

Specification	Description	Unity	Price
<b>Dak.O.TER09.1131</b>	Supply and installation of Anti-noise rubber pad for tiles, with 4 removable spacer tabs (3mm joint) 2 mm height - 130 mm diameter. Made of thermoplastic rubber. It reduces walkover noise and, thanks to the 4 removable tabs for the grout lines, allows an easy laying of the tiles.	pcs	-
<b>Dak.O.TER09.1131/2</b>	Anti-noise rubber pad - 4 removable spacer tabs 2 mm joint .....	pc.	-
<b>Dak.O.TER09.1131</b>	Anti-noise rubber pad - 4 removable spacer tabs 3 mm joint .....	pc.	-
<b>Dak.O.TER09.1131/4</b>	Anti-noise rubber pad - 4 removable spacer tabs 4 mm joint .....	pc.	-