

# UNIVERSAL DECKING HEAD FOR ARKIMEDE



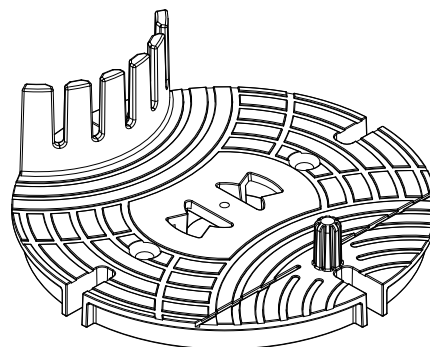
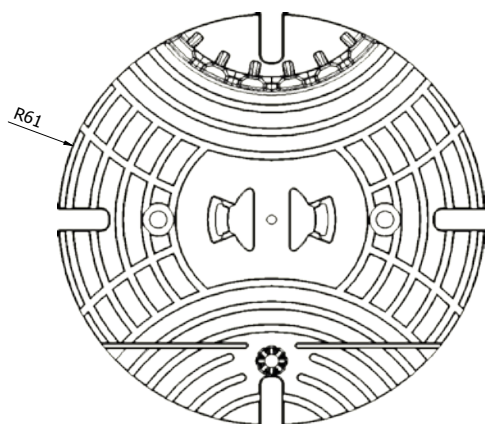
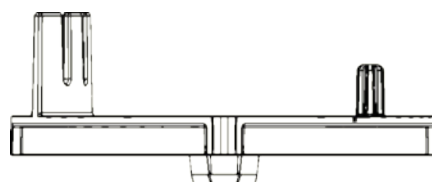
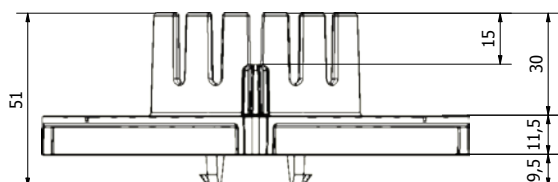
## INDICE

1. Code registry
2. Description
3. Use
4. Technical specification

## 1. CODE REGISTRY

Code	Product	Color	Dimensions (mm)	Weight (g)	Pkg. / Pallet
TER09-1142TPU	Universal decking head for Arkimede Supports	Black	Ø 122	6,8	30 pcs. / 1.350 pcs. (45 pkg)

**MATERIAL** Made of PP (polypropylene).



# UNIVERSAL DECKING HEAD FOR ARKIMEDE

## 2. DESCRIPTION

- Turns Arkimede Decking into Paving
- Joist width minimum 25mm, maximum 75mm
- Equipped with self-centering functionality due to 5 fixing slots
- Not compatible with Arkimede 10

Universal decking head for Arkimede supports\*

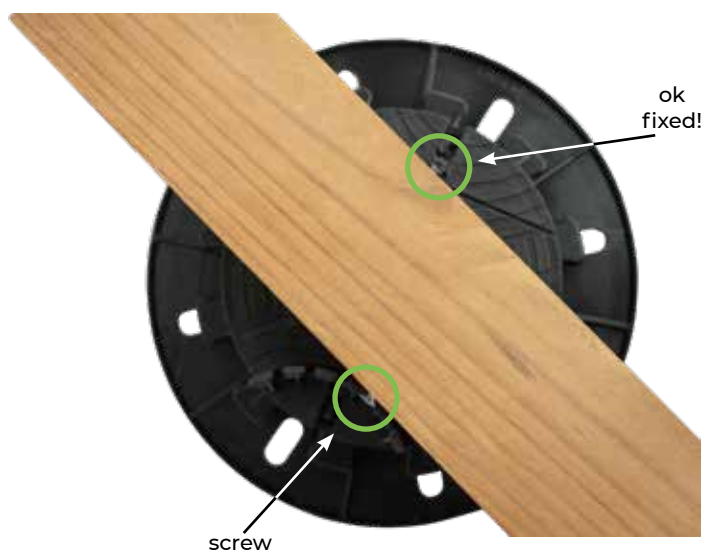
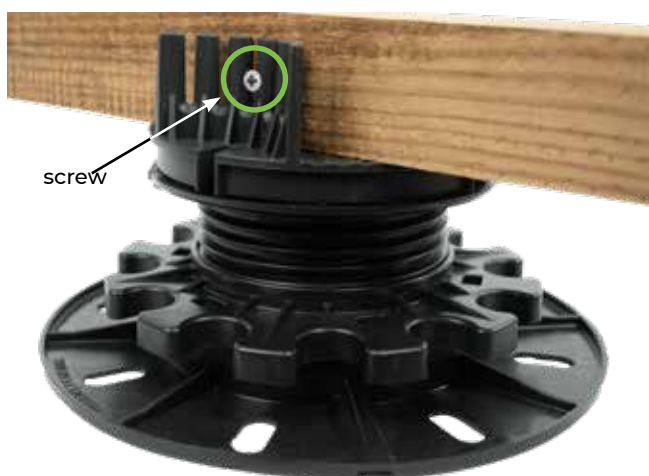
It allows to convert every\* Arkimede paving into Arkimede decking. With the universal decking head can be fixed joist (both steel, aluminium or wood) of various sizes with maximum width of 75 mm. The pin can also be used to make "T" connections between joists



## 3. USE

The head is used to convert Arkimede Paving into Arkimede Decking for the installation of an external raised floor and/or decking. Once the joist is applied to the head it should be screwed securely to the curved slotted fixing tab and should go against both the tab and the pin.

### 3.1 FIXING



# UNIVERSAL DECKING HEAD FOR ARKIMEDE

## 3.2 WARNINGS

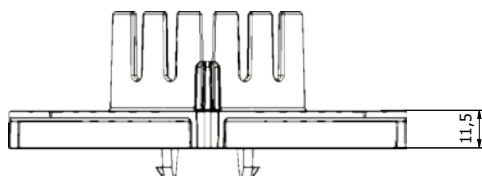
The installation of the accessory on the arkimede support must be done correctly by aligning the four pilot holes on the head with the four tabs on the Arkimede paving support.



## 3.3 OVERALL HEIGHTS

With the application of the universal head, you have to add 11.5 mm height of the Arkimede, as shown in the table below:

	Support only	Stand with universal head attached
	h min/max (mm)	h min/max (mm)
Arkimede 10	<b>not compatible</b>	
Arkimede 18	min. 18 - max. 36	min. 29,5 - max. 47,5
Arkimede 35	min. 35 - max. 60	min. 46,5 - max. 71,5
Arkimede 41	min. 41 - max. 66	min. 52,5 - max. 77,5
Arkimede 60	min. 60 - max. 115	min. 71,5 - max. 125,5
Arkimede 115	min. 115 - max. 220	min. 126,5 - max. 231,5



## 4. TECHNICAL SPECIFICATION

Item	Description	Unit	Price
Dak.O.TER09-1143TPU	Supply and installation of universal joist support head for Arkimede. Made of PP (polypropylene). Used in outdoor areas, terraces, floors Ø 122	pc.	-