

UNIVERSAL CLIP FOR LATERAL LAYING



INDICE

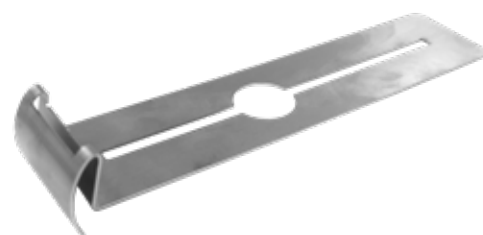
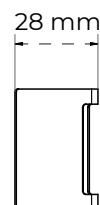
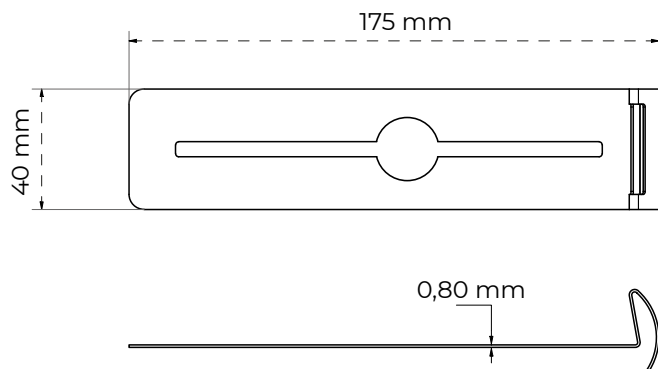
1. Code registry
2. Description
3. Use
4. Technical specification

1. CODE REGISTRY

Code	Description	Measures (mm)	Weight	Pkg. / Pallet
TER09-1146/AV	Universal clip for lateral laying in stainless steel	-	0,048 kg/pc.	100 pc. / 5.000 pcs.
TER09-1146/AP	Universal clip for lateral laying in PP	-	0,007 kg/pc.	200 pc / 28.800 pcs.

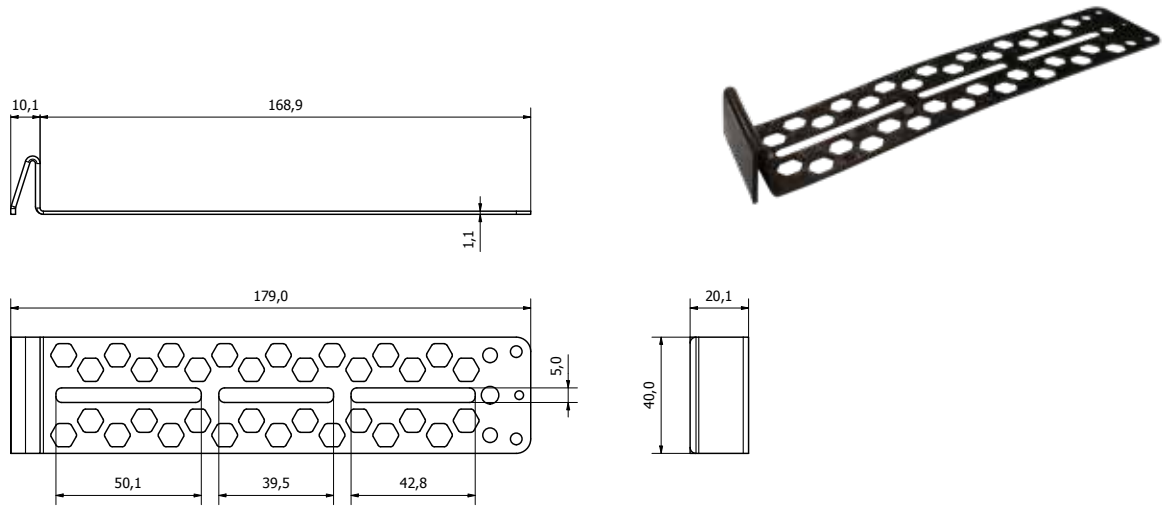
MATERIAL Made of stainless steel or in PP (Polypropylene).

TER09-1146/AV



UNIVERSAL CLIP FOR LATERAL LAYING

TER09-1146/AP



2. DESCRIPTION

Universal clip for the perimeter laying of tiles for floating floors.
The clip avoids the contact between the tiles and the wall, thanks to its special shape that absorbs all possible movements and dilatations.
Specifically designed to be used with these Dakota Supports: **ARKIMEDE, 3D-Scopic, Hercules and Level Up.**

3. USE

Used for laying of perimeter tiles with Dakota raised floor supports.

4. TECHNICAL SPECIFICATION

Item	Description	Unit	Price
Dak.D. TER09-1146/x	Supply and installation of universal clip for the perimeter laying of tiles for floating floors. The clip avoids the contact between the tiles and the wall, thanks to its special shape that absorbs all possible movements and dilatations. Specifically designed to be used with these Dakota Supports: ARKIMEDE, 3D-Scopic, Hercules and Level Up. Made of stainless steel or in PP. Used for laying of perimeter tiles with Dakota raised floor supports.	pc.	-