

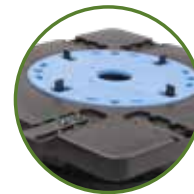
PLASTIC KIT FOR LATERAL FINISHING - ARKIMEDE



WORKS WITH
**HEAD FOR TILES
OF THE ARKIMEDE
SUPPORT ONLY**



ADJUSTABLE **CLIP**
FROM 8 TO 38 MM



WORKS WITH
**RUBBER SHIM
(TER09-1143/G)**

INDEX

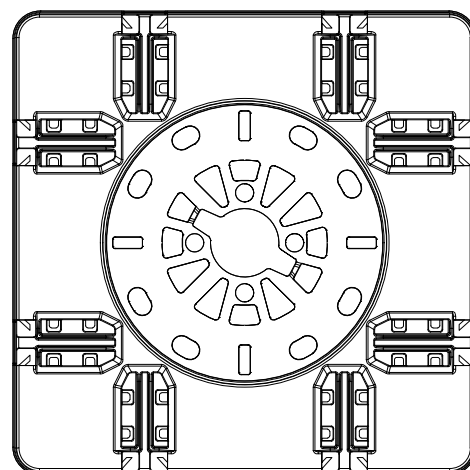
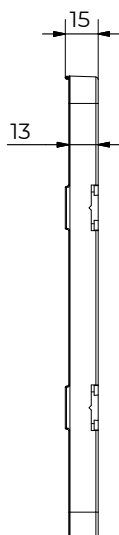
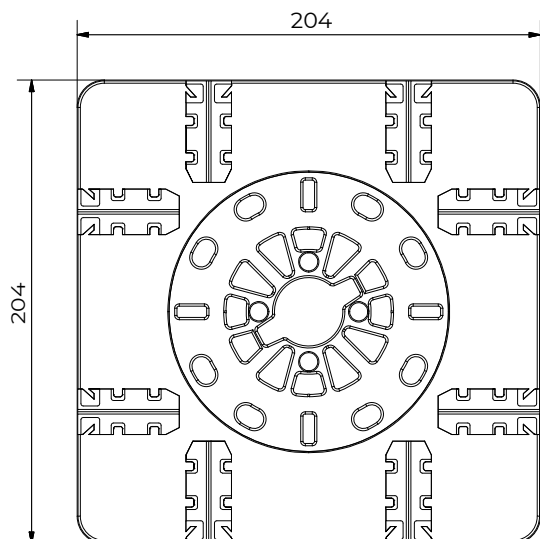
1. Code Registry
2. Use
3. Technical Specification

1. CODE REGISTRY

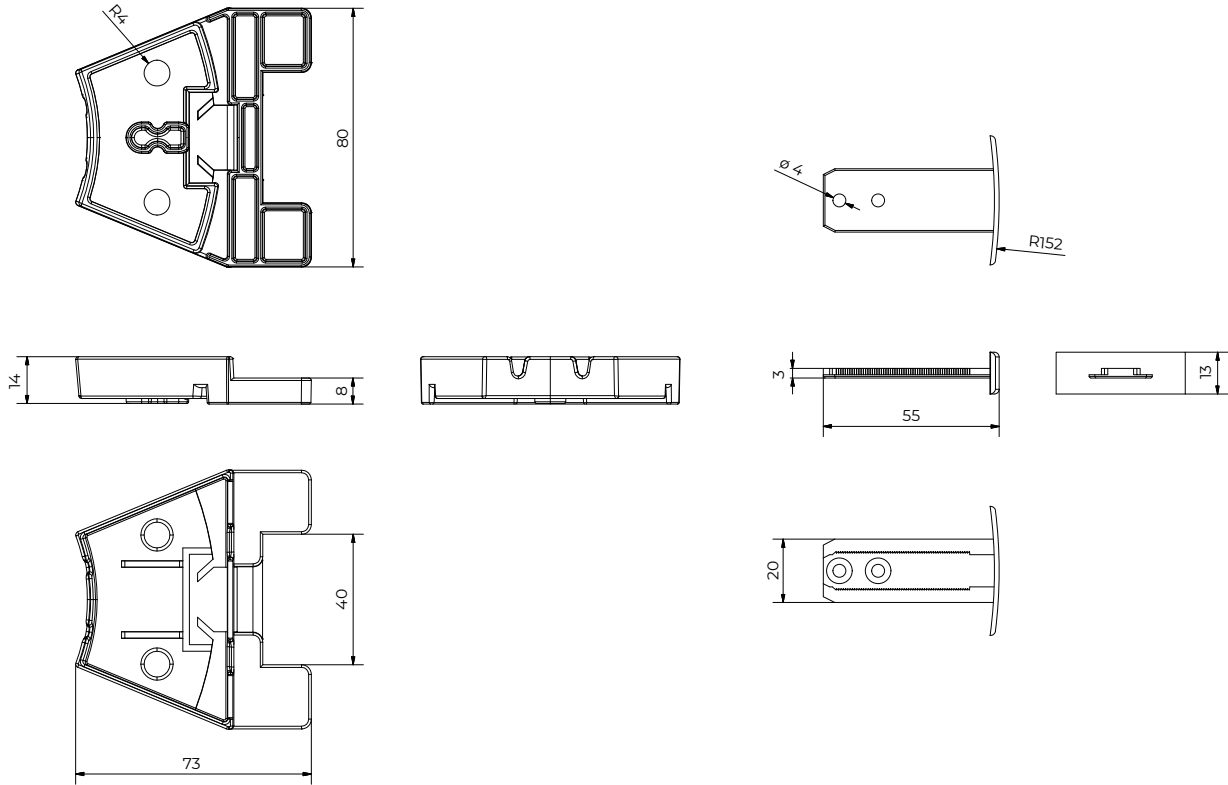
| Code | Description | Dimension (mm) | Weight (kg) | Pkg. / Pallet |
|-----------------|--|----------------|-------------|-----------------|
| TER09-1152/3BPL | Kit of 10 plates, 10 lateral supports and 30 tile fixing clips for lateral finishing | 204 x 204 | 6,5 | 1 set / 144 set |

MATERIAL

Made of PP (Polypropylene).



PLASTIC KIT FOR LATERAL FINISHING - ARKIMEDE



2. USE

Used for the perimeter finish in the absence of a lateral wall, in the installation of raised floors with Arkimede supports. The adjustable clips allow the fixing of tiles of different thickness, from 8 to 38 mm, in a very easy and simple way. Plate and Lateral Clip fit with Head for Tile (2 or 4 mm) of the Arkimede supports only.

3. TECHNICAL SPECIFICATION

| Specification | Description | Unity | Price |
|-----------------------|---|-------|-------|
| Dak.O.TER09.T152/3BPL | Supply and installation of Plate and Lateral Clip made of PP for the lateral finishing of the perimeter space in the absence of a lateral wall. Specifically designed for application with the Arkimede supports only. Made of PP (Polypropylene). Used for the perimeter finish in the absence of a lateral wall, in the installation of raised floors with Arkimede supports. The adjustable clips allow the fixing of tiles of different thickness, from 8 to 38 mm, in a very easy and simple way. Plate and Lateral Clip fit with Head for Tile (2 or 4 mm) of the Arkimede supports only. | pz. | - |