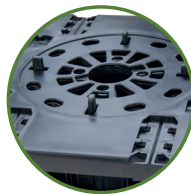
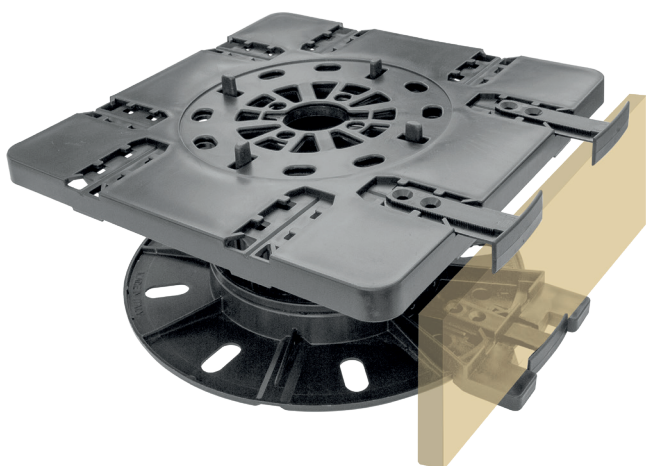
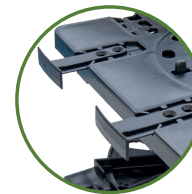


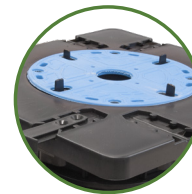
PLASTIC KIT FOR LATERAL FINISHING - ARKIMEDE



WORKS WITH
**HEAD FOR TILES
OF THE ARKIMEDE**
SUPPORT ONLY



ADJUSTABLE **CLIP**
FROM 8 TO 38 MM



WORKS WITH
RUBBER SHIM
(TER09-1143/G)

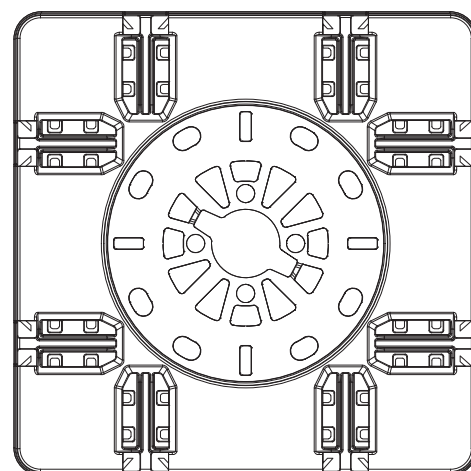
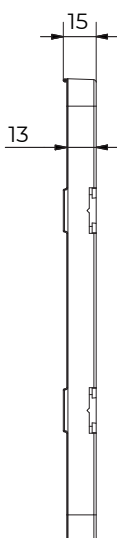
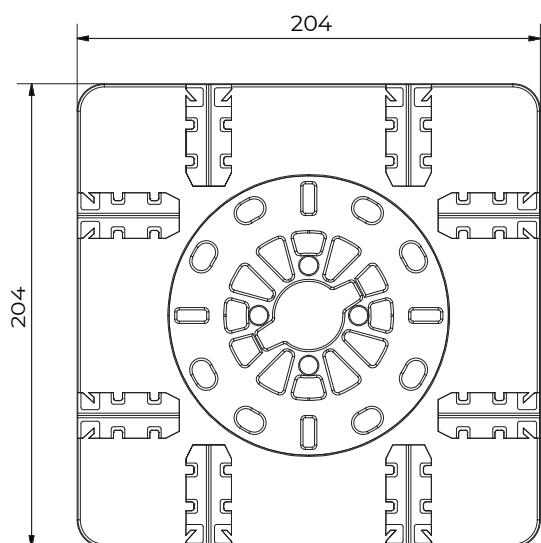
INDEX

1. Code Registry
2. Description
3. Use
4. Technical Specification

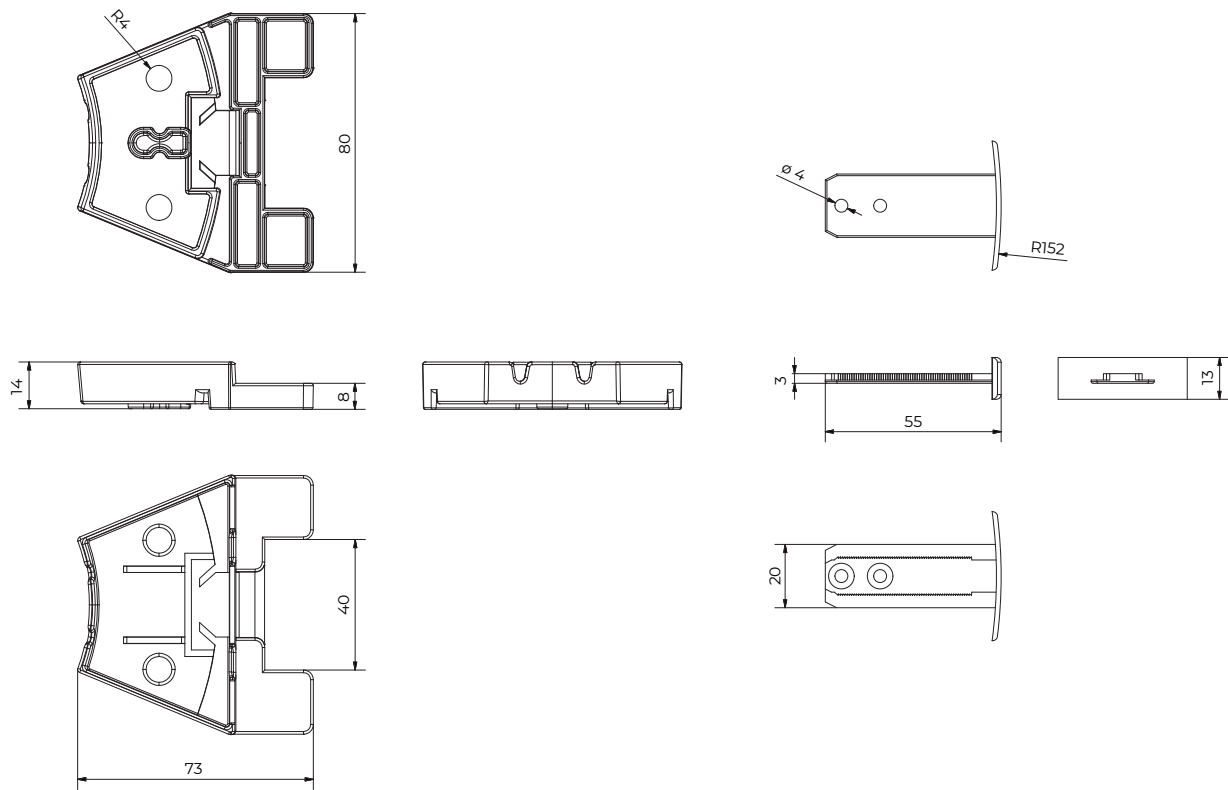
1. CODE REGISTRY

Code	Description	Dimension (mm)	Weight (kg)	Pkg. / Pallet
TER09-1152/3BPL	Kit of 10 plates, 10 lateral supports and 30 tile fixing clips for lateral finishing	204 x 204	6,5	1 set / 144 set

MATERIAL Made of PP (Polypropylene).



PLASTIC KIT FOR LATERAL FINISHING - ARKIMEDE



2. DESCRIPTION

Plate and Lateral Clip made of PP, they are used for the lateral finishing of the perimeter space in the absence of a lateral wall. Specifically designed for application only with the Arkimede supports only

3. USE

Used for the perimeter finish in the absence of a lateral wall, in the installation of raised floors with Arkimede supports.
The adjustable clips allow the fixing of tiles of different thickness, from 8 to 38 mm, in a very easy and simple way.
Plate and Lateral Clip fit with Head for Tile (2 or 4 mm) of the Arkimede supports only.

4. TECHNICAL SPECIFICATION

Specification	Description	Unity	Price
Dak.O.TER09.T152/3BPL	Supply and installation of Plate and Lateral Clip made of PP for the lateral finishing of the perimeter space in the absence of a lateral wall. Specifically designed for application with the Arkimede supports only. Made of PP (Polypropylene). Used for the perimeter finish in the absence of a lateral wall, in the installation of raised floors with Arkimede supports. The adjustable clips allow the fixing of tiles of different thickness, from 8 to 38 mm, in a very easy and simple way. Plate and Lateral Clip fit with Head for Tile (2 or 4 mm) of the Arkimede supports only.	pz.	-