

ARKIMEDE 24 - PAVING | SELF-LEVELING



INDEX

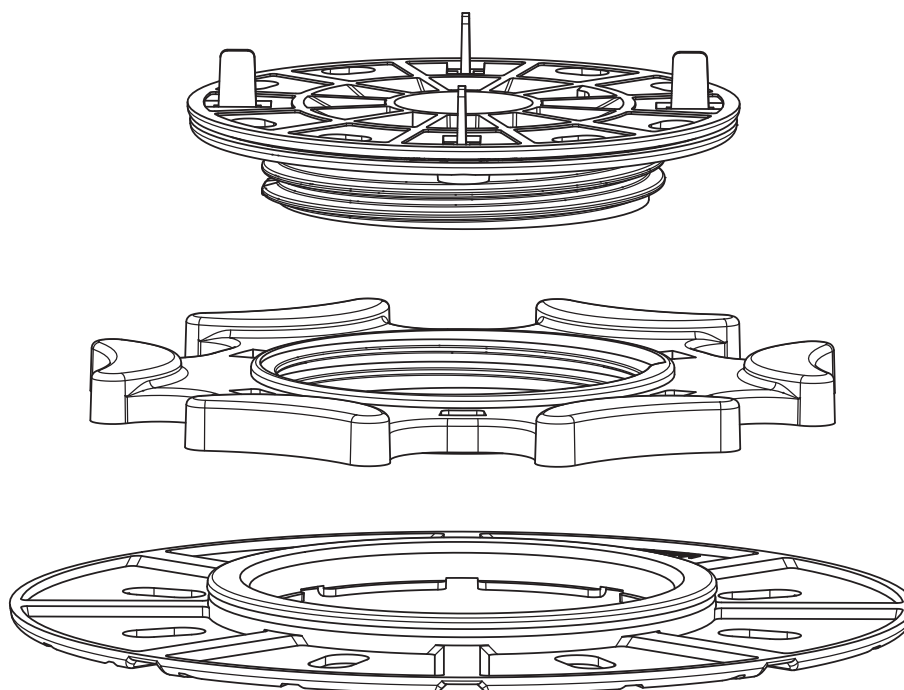
- 1. Registry code
- 2. Description
- 3. Use
- 4. Fields of use
- 5. Technical specification

1. REGISTRY CODE

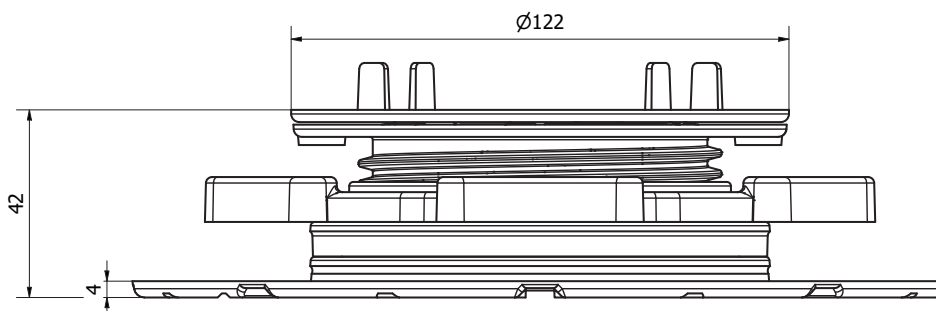
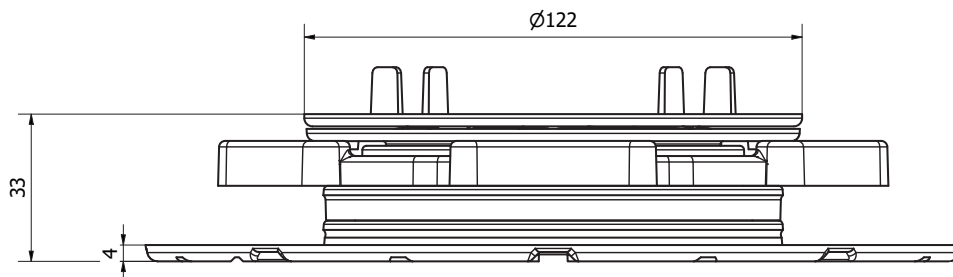
Code	Description	Measures (mm)	Color	Pkg / Pallet
TER09-1195/4A2M	Arkimede 24 - Self-leveling Paving 2 mm	24 - 42	Black	30 pcs. / 600 pcs.
TER09-1195/4A4M	Arkimede 24 - Self-leveling Paving 4 mm	24 - 42	Black	30 pcs. / 600 pcs.
TER09-1145/P9	Arkimede 24 - Extension 9mm	h 9	Black	30 pcs. / 3.780 pcs.

MATERIAL

PP (polypropylene).



ARKIMEDE 24 - PAVING | SELF-LEVELING



2. DESCRIPTION

The Arkimedes 24 Self-Leveling Paving is the perfect solution for outdoor raised paving.

This product combines the flexibility and great ease of use of the Arkimede line (with fixed head) with the advantage of an integrated self-levelling head (for slopes from 0 to 5%).

It is height adjustable from 24 to 42 mm (with the included 9mm extension, excluding 25, 50 and 100 mm extensions) and can be combined with all Arkimedes 18 paving accessories.

3. USE

The Arkimede 24 can be used in outdoor areas, terraces, shared flooring.
With the appropriate extensions, the height of the Support can be extended.

4. FIELDS OF USE

Use in outdoor areas, terraces, shared flooring.
Thanks to the pre-cut, the spacer fins can be easily removed for use in shape of "T", linear or to have the head completely flat (e.g., laying in the center of the tile).

5. TECHNICAL SPECIFICATION

Item	Description	Unit	Price
Dak.D.TER09.1195/4AxM	Supply and installation of self-leveling telescopic support for paving Dimensions: height adjustable from 24 up to 42 mm with 9 mm extension Self-leveling head for slopes from 0 to 5% and 4 removable 2 or 4 mm fins Made of PP (polypropylene) Used in outdoor areas, terraces, shared flooring..	pcs.	-
Dak.D.TER9.1145/P9	PP Extension 9 mm	-	-