

RIALTO™ SAFETY GRID

INDEX

1. Code registry
2. Description
3. Use
4. Laying and compatibility
5. Load test
6. Technical specification

1. CODE REGISTRY

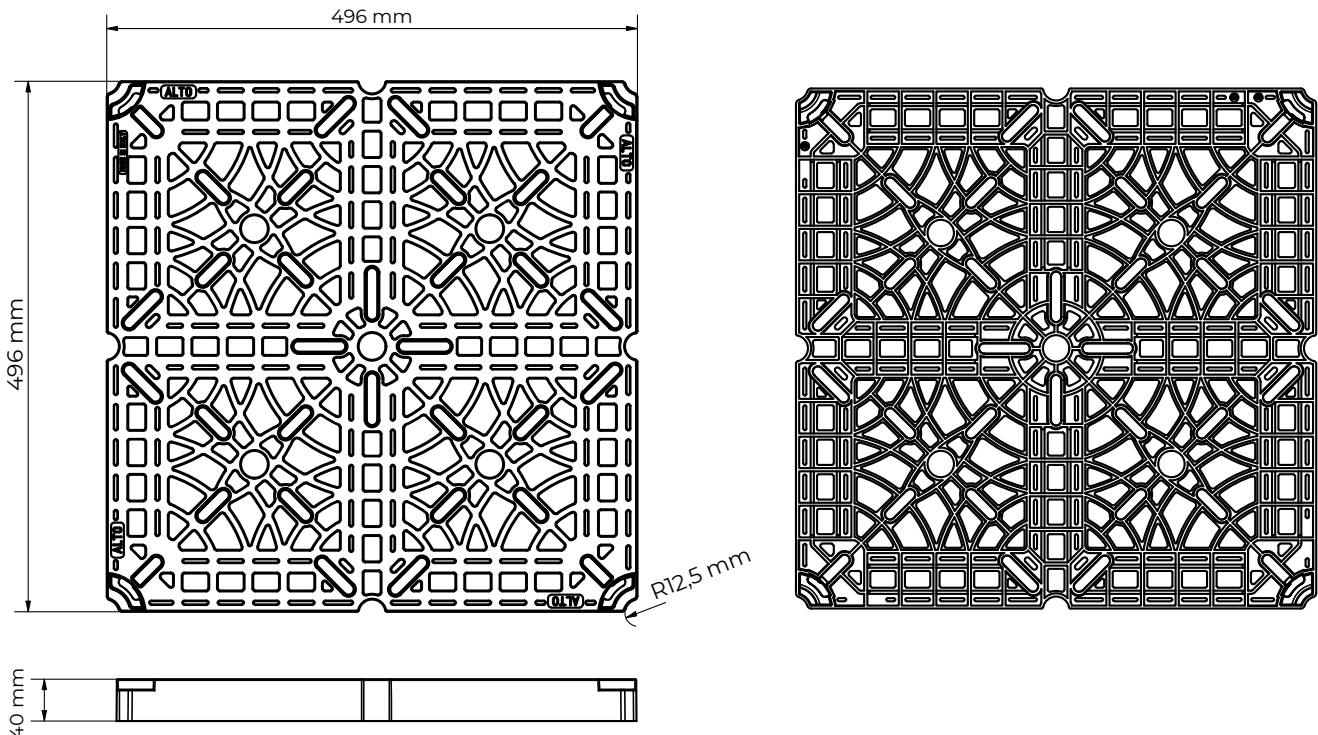
Code	Description	Measures (mm)	Weight (g/pc.)	Color	Pkg. /Pallet
TER09-1245	Rialto™ Safety Grid - open version	500 x 500	3.035	Black	1 pc. / 132 pcs.
TER09-1246	Rialto™ Safety Grid - closed version	500 x 500	3.200	Black	1 pc. / 132 pcs.
TER09-1247	Locking Joint for Rialto™ system	-	25,2	Black	27 pz / 216 pkg.
TER09-1131/2	Rubber separator - 4 removable tabs thk. 2 mm	Ø 130 - thk. 2	33,0	Black	100 pc. / 7.200 pcs.
TER09-1131	Rubber separator - 4 removable tabs thk. 3 mm	Ø 130 - thk. 2	33,0	Black	100 pc. / 7.200 pcs.
TER09-1131/4	Rubber separator - 4 removable tabs thk. 4 mm	Ø 130 - thk. 2	33,0	Black	100 pc. / 7.200 pcs.

MATERIAL

Rialto™ Safety Grid and Locking Connector made of PP (polypropylene)
Rubber separator made of TPV. (Thermoplastic Vulcanized Rubber)

RIALTO™ SAFETY GRID OPEN VERSION

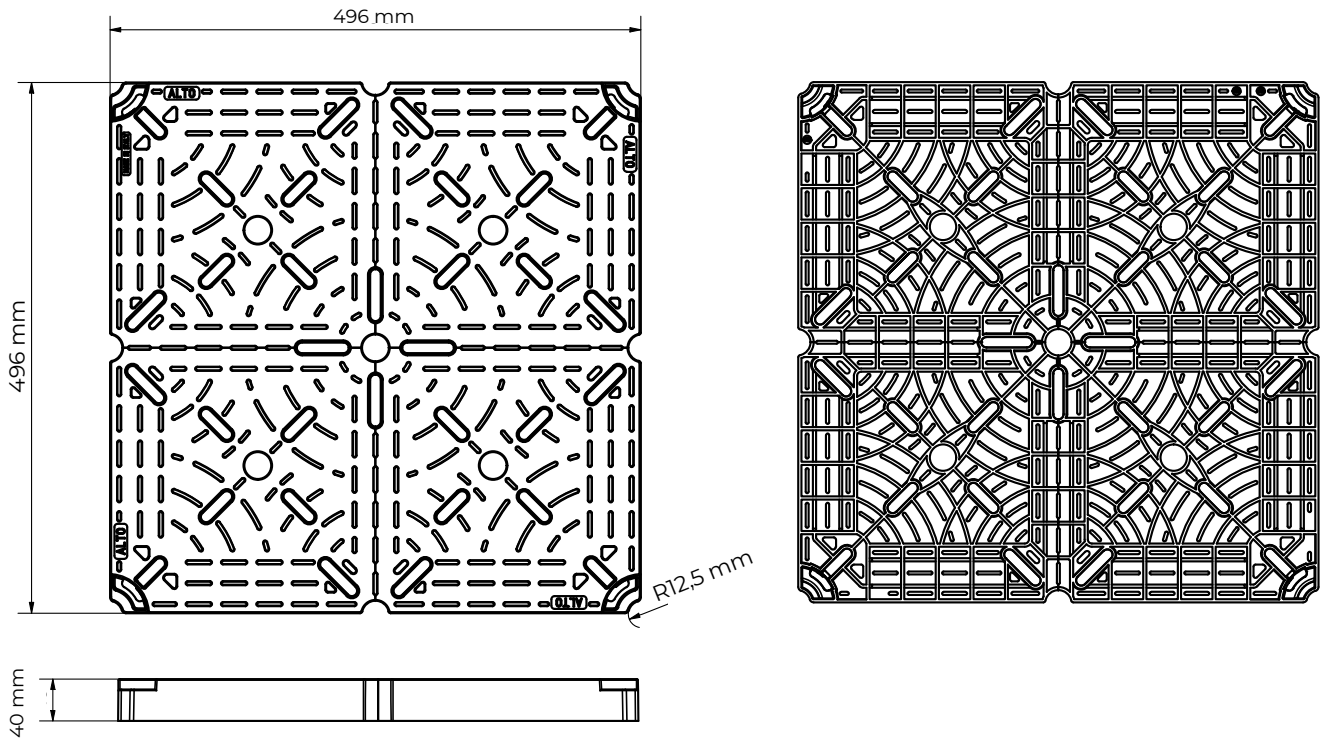
TER09-1245



RIALTO™ SAFETY GRID

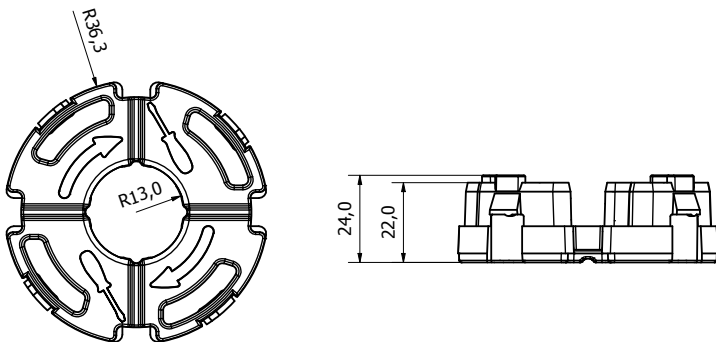
RIALTO™ SAFETY GRID CLOSED VERSION

TER09-1246



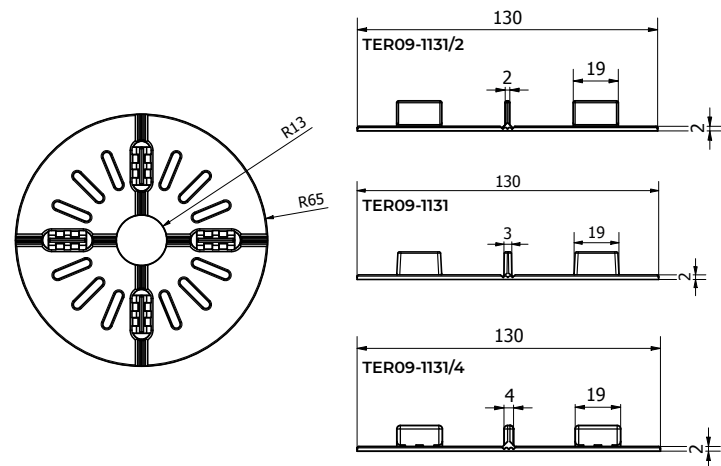
LOCKING CONNECTOR

TER09-1247



ACOUSTIC RUBBER SHIM WITH TILE SEPARATORS

TER09-1131



2. DESCRIPTION

The Rialto™ safety grid enables the laying of a safe (no fall-through), strong, stable and perfectly flat (lippage free) sub-structure for external raised floors and walkways.

The Rialto™ safety grid is designed to be supported by all Dakota tile/paver support pedestals: Arkimede, Hercules and 3D-scopic, with which the desired height can be achieved in a few simple steps.

The solidity and integrity of the system is guaranteed by the material of the grid, made of reinforced polypropylene and by the use of the special Locking Connector (TER09-1247), that joins the grid together to make an integrated structure of exceptional stability and strength.

Once the grids are laid and locked together, the last step is the application of a final covering such as:

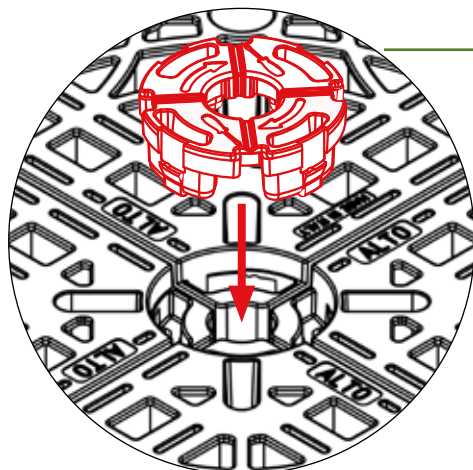
- Multi-size tiles for external use (concrete, porcelain, marble, etc), for this type of covering we suggest using the OPEN GRID as this ensures optimal draining of rainwater to the ground below. The use of the TPV Acoustic Rubber Separator (TER09-1131), makes it possible to drastically reduce footfall noise and guarantee a 2-3-4 mm joint between the tiles
- Synthetic Grass or Outdoor Carpeting. In this case we suggested using the CLOSED GRID as this provides the appropriate support for the flooring material.

RIALTO™ SAFETY GRID

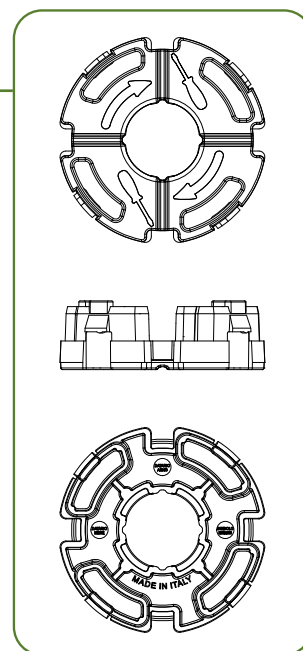
3. USE

Use with the Locking Connector (TER09-1247), to connect together all the grids, to make a stable and continuous structure of exceptional stability and strength.

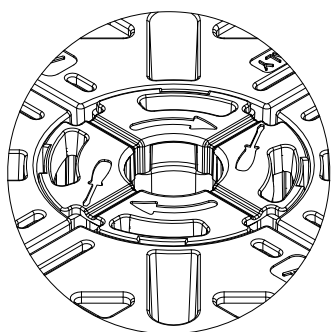
1. POSITIONING OF THE CONNECTION JOINT



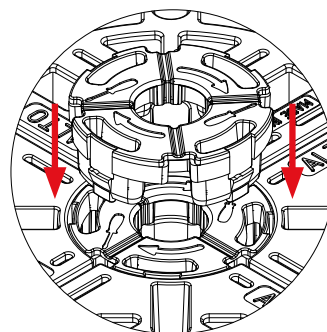
TER09-1247



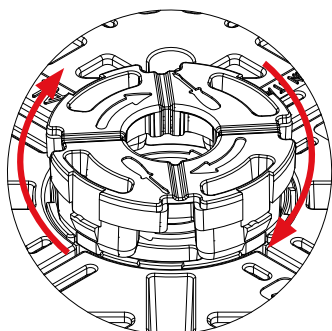
2. UNLOCKED



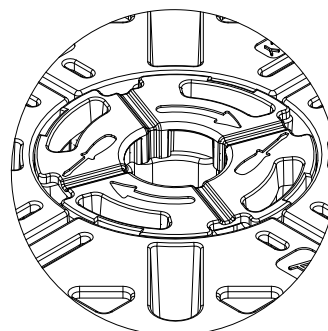
3. USE ANOTHER JOINT AS A "SCREWDRIVER"



4. TURN TO LOCK



5. LOCKED

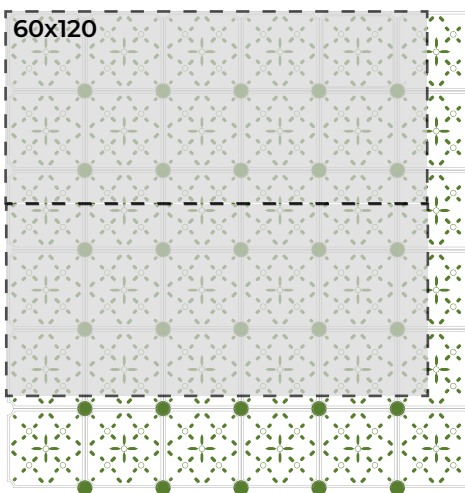
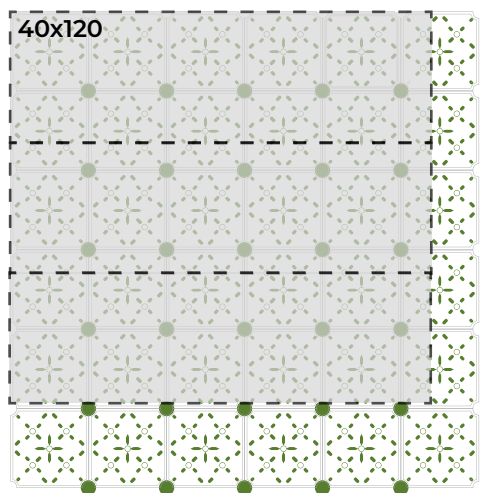
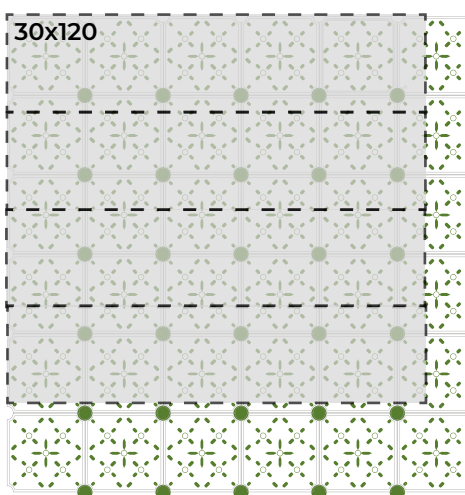
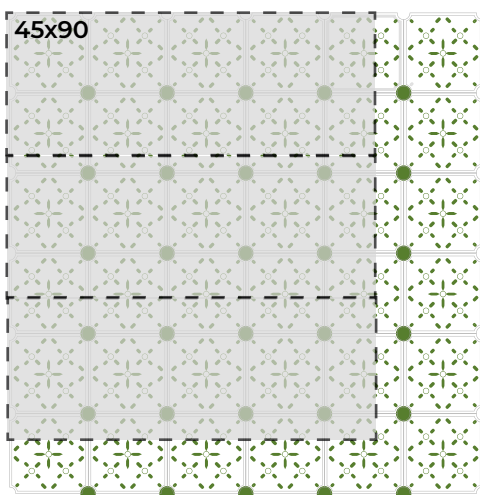
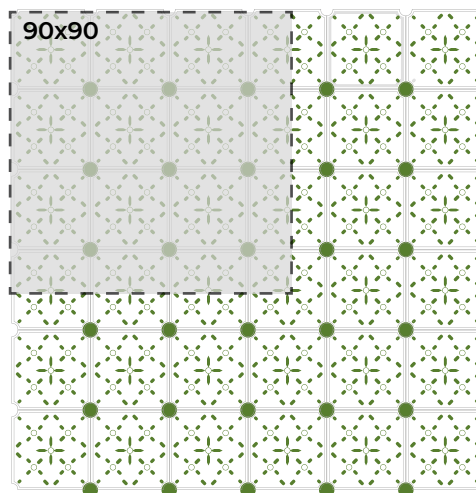
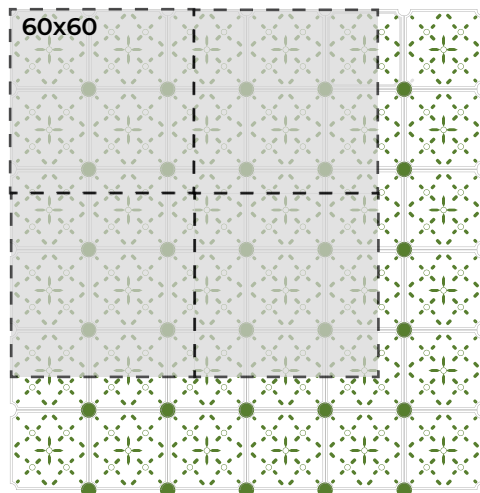


RIALTO™ SAFETY GRID

4. LAYING AND COMPATIBILITY

Rialto™ safety grids are designed to create structures for the laying of external tiles of different sizes. For each tile size, we always recommend the placement of a centrally positioned support pedestal under the Rialto™ safety grid.

Some example of finishing layout:

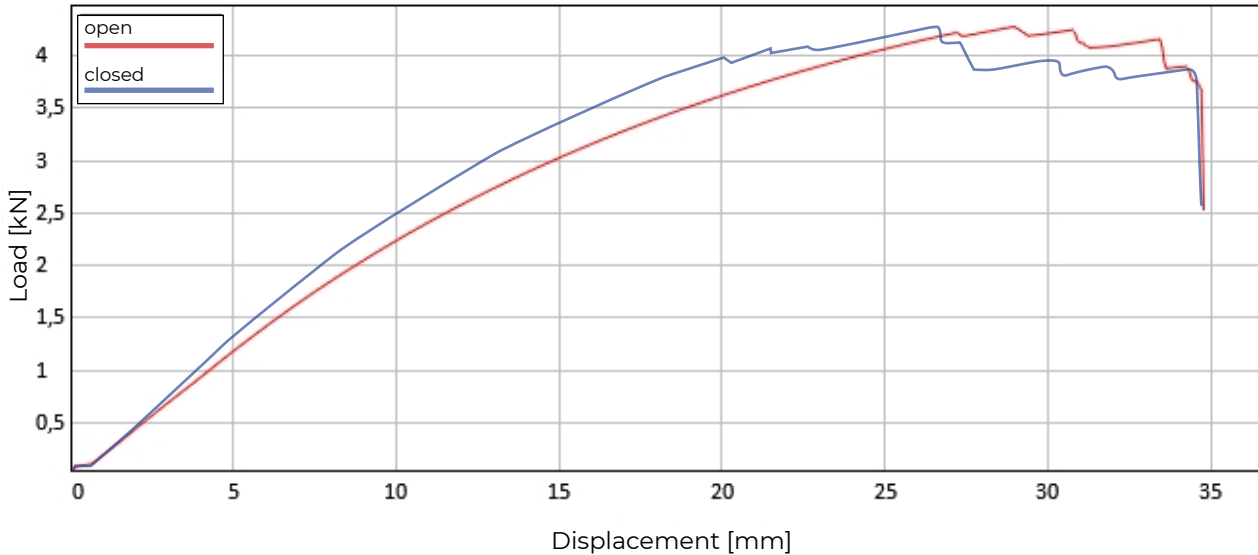


RIALTO™ SAFETY GRID

5. LOAD TEST

Test carried out with a 150 mm punch on central area

Load curve/Displacement



Results obtained

	Maximum load [kN]	Maximum Displacement [mm]
open	4,27	28,94
closed	4,29	27,61
average	4,28	28,28

6. TECHNICAL SPECIFICATION

Item	Description	Unit	Price
Dak.O.TER09.124x	Supply and installation of Rialto™ safety grid for laying floating floors in open (for paving) and closed (for synthetic turf application) versions Available in black color Grid made of PP (polypropylene), rubber separator made of TPV. (ThermoplasticVulcanizate) Dimensions 500 x 500 mm		
Dak.O.TER9-1245	Grid Rialto™ open 500 x 500 mm	pc.	-
Dak.O.TER9-1246	Grid Rialto™ closed 500 x 500 mm	pc.	-
Dak.O.TER09.1247	Locking Connector for Rialto™ system.....	pc.	-
Dak.O.TER09.1131/2	∅ 130 mm - thick. 2 mm.....	pc.	-
Dak.O.TER09.1131	∅ 130 mm - thick. 3 mm.....	pc.	-
Dak.O.TER09.1131/4	∅ 130 mm - thick. 4 mm.....	pc.	-