

# LINEAR JOIST CONNECTOR FOR KERADECK® 20



## INDEX

1. Registry code
2. Use
3. Description
4. Technical specification

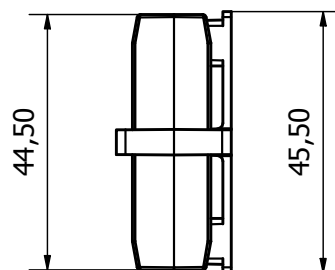
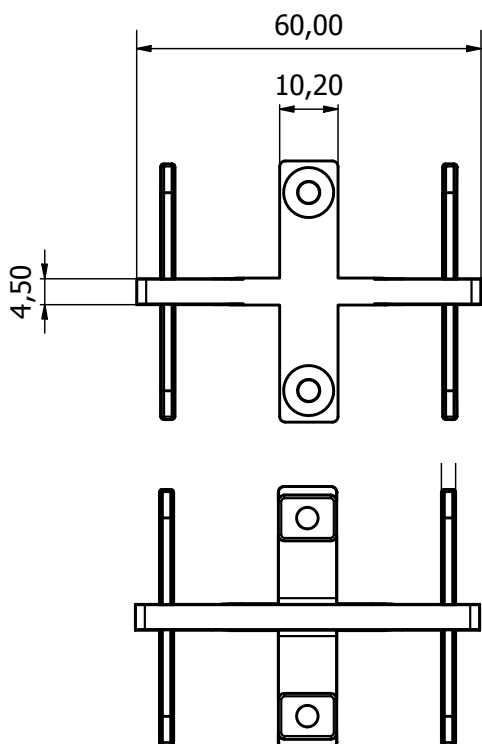
## 1. REGISTRY CODE

Code	Description	Measures (mm)	Weight (kg)	Pkg./ Pallet	U.M.
TER09-2299S/B	Linear joist connector for keradeck 20	60 x 44,5 x 20	0,014	130 pcs. / 18.720 pcs.	pc.

**MATERIAL** Made of polyamide (PA)

## 2. DESCRIPTION

The linear connector allows the joining of two Keradeck® joists in a linear direction. Other types of connectors can create different types of connections.



# LINEAR JOIST CONNECTOR FOR KERADECK® 20

## 3. USE

Used interlocking in the grooves of the joist

## 4. VOCI DI CAPITOLATO

Item	Description	Unit	Price
Dak.D.TER09-2299S/B	Supply and installation of polyamide connector for assembly Keradeck® 20 joists. Available in black color. Made of polyamide. Used as a connector and additional stabilizer for Keradeck 20 joist.	pc	-