

# "T" CONNECTOR FOR KERADECK® 20



## INDEX

1. Code registry
2. Use
3. Description
4. Technical specification

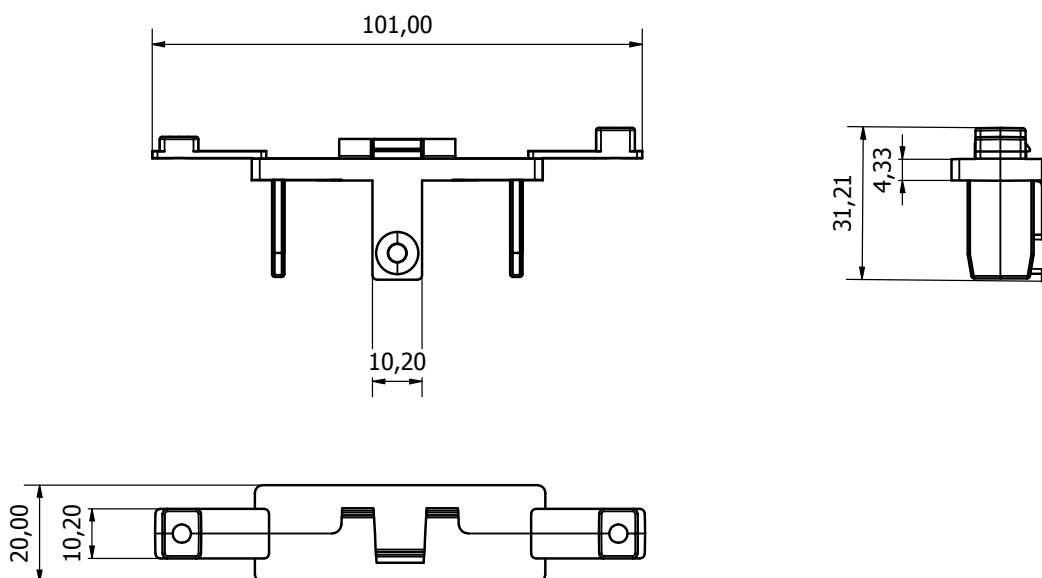
## 1. CODE REGISTRY

Code	Description	Measures (mm)	Weight (kg)	Pkg./ Pallet	U.M.
TER09-2299S/C	"T" connector for Keradeck® 20	100 x 20 x 31	0,014	130 pcs. / 18.720 pcs.	pc.

**MATERIAL** Made of Polyamide (PA)

## 2. DESCRIPTION

The connector allows the "T" junction of two Keradeck® joists. Other types of connectors are able to create different types of connections.



# "T" CONNECTOR FOR KERADECK® 20

## 3. USE

Used interlocking in the grooves of the joist. Used as a linear junction element between Keradeck® hanger plates.

## 4. TECHNICAL SPECIFICATION

Item	Description	Unit	Price
Dak.D.TER09-2299S/C	Supply and installation of polyamide connector for Keradeck® 20 joist. Available in black color Made of polyamide Used as a linear junction element between Keradeck® hanger plates.	pc.	-