

OVERLAP MOUNTING JOIST CONNECTOR FOR KERADECK® JOISTS



INDEX

1. Registry code
2. Use
3. Description
4. Technical specification

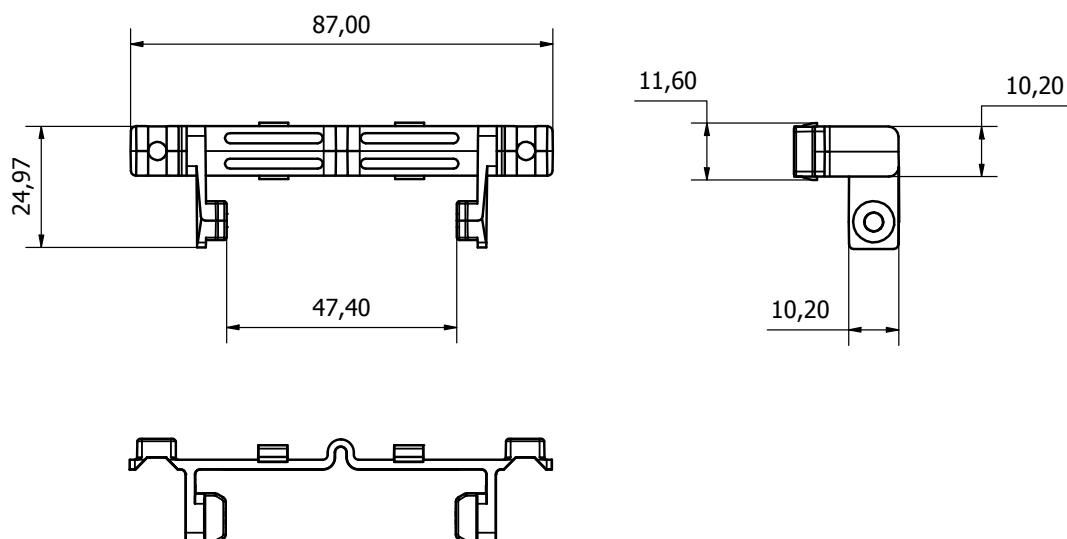
1. REGISTRY CODE

Code	Description	Measures (mm)	Weight (kg)	Pkg./ Pallet
TER09-2299S/D	Overlap Mounting Joist Connector fo Keradeck® joists	87 x 25 x 12	0,006	200 pcs. / 28.800 pcs.

MATERIAL Made of polyamide (PA)

2. DESCRIPTION

The connector allows the overlap joining of two or more Keradeck® joists. Other types of connectors are able to create different types of connections.



OVERLAP MOUNTING JOIST CONNECTOR FOR KERADECK® JOISTS

3. USE

Used interlocking in the grooves of the joist

4. TECHNICAL SPECIFICATION

Item	Description	Unit	Price
Dak.D.TER09-2299S/D	Supply and installation of polyamide connector for assembly and overlapping of Keradeck® 20 joists. Available in black color. Made of polyamide. Used as a connector and additional stabilizer for Keradeck 20 joist.	pc.	-