

PLASTIC BASEMENT FOR SCAFFOLDING BASE



INDEX

1. Code registry
2. Description
3. Use
4. Technical specification

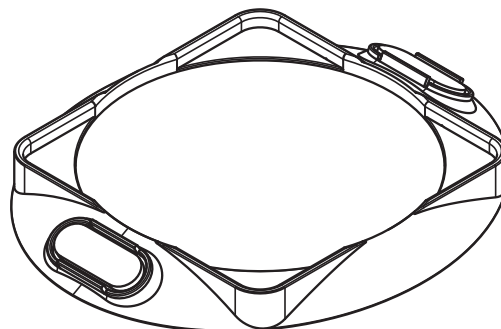
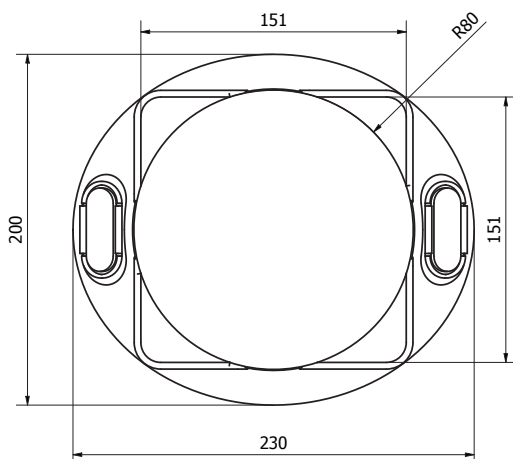
1. CODE REGISTRY

Code	Description	Weight	Measures (mm)	Color	Pkg. / Pallet
TER26-6302	Plastic basement for scaffolding base	0,238 gr/m ²	200 x 230	Yellow	50 pc. / 600 pcs.

MATERIAL Made of PP (polypropylene).

2. DESCRIPTION

Warning and protective device of areas and/or elements on the construction site. Made of PP (polypropylene), yellow colour. Resistant to ageing due to exposure to the atmospheric agents. Equipped with red reflectors, to enable visibility in the dark. Packed in carton box.



PLASTIC BASEMENT FOR SCAFFOLDING BASE

3. USE

To indicate the presence of scaffolding supporting bases and prevent dangers.

4. TECHNICAL SPECIFICATION

Item	Description	Unit	Price
Dak.E.TER26-63002	Supply and installation of a plastic basement for scaffolding base to signal the presence of scaffolding bases. Made of polypropylene and equipped with two red reflectors. Packed in a box.	pc.	-