

GALVANIZED STEEL RECESSED COVER FOR BLACK SLOT GRATING



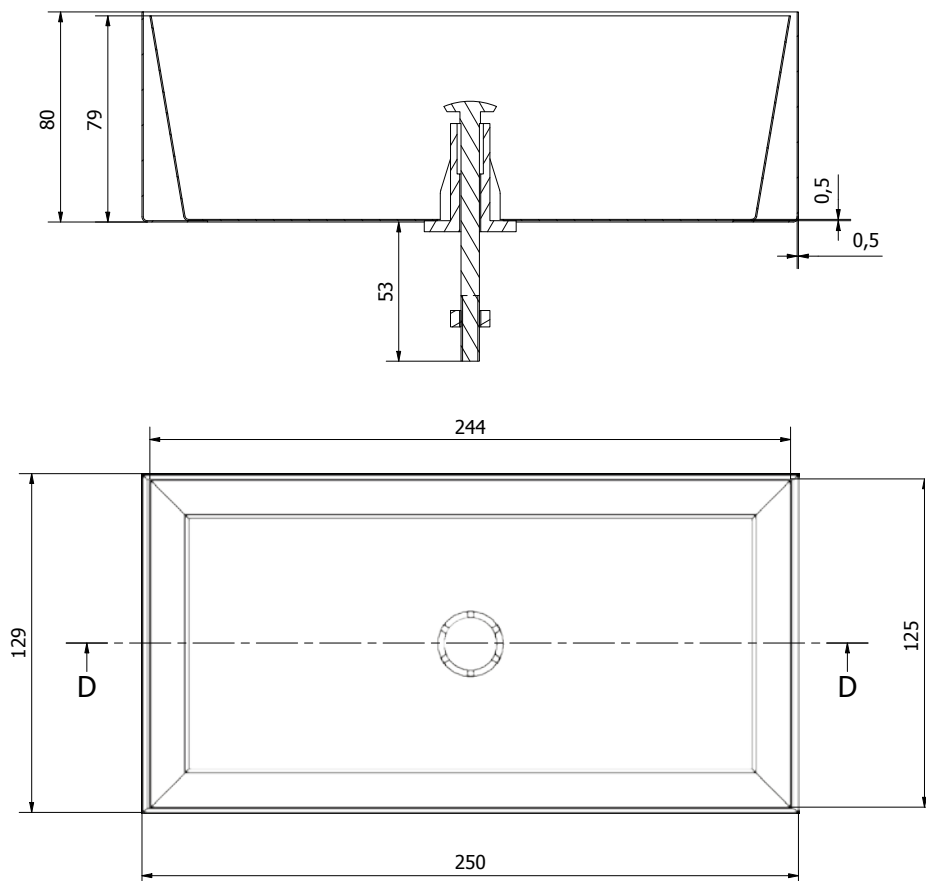
INDEX

1. Code registry
2. Description
3. Use
4. Technical specification

1. CODE REGISTRY

Code	Description	Measures (mm)	Weight	Color	Pkg. / Pallet
ZIN05-6755	Galvanized steel recessed cover	250 x 129 x h. 80	1,16 kg/pc.	Steel	1 pc. / 250 pcs.

MATERIAL Made of galvanized steel. Metal sheet thickness: 10/10.



GALVANIZED STEEL RECESSED COVER FOR BLACK SLOT GRATING

2. DESCRIPTION

Galvanized steels recessed cover available in sizes 250 x 129 x h. 80 mm

3. USE

Used to allow inspection and maintenance of the catch-pit and to “camouflage” its presence, giving aesthetic continuity to the pavement. The size is suitable for use with MIDI or Taurus channels.

4. GALVANIZED ARTICLES AND PROFILES: WARNINGS FOR USE AND INSTALLATION

All carbon steel items and profiles in the DAKOTA catalog undergo a galvanization treatment, i.e., a coating of zinc on the materials (referred to as Galvanizing), aimed at protecting them from the oxidation process.

However, the lifecycle of the product does not stop at production, but sees its use in various environments and uses, with its final placement in flooring and manufactured goods exposed to various potential criticalities that can significantly damage the protective zinc coating, leading to the manifestation of rust phenomena. These are some of the most frequent critical conditions:

- The installation of DAKOTA's galvanized steel products involves the use of concrete, adhesives, fillers, cement mortars, etc., depending on the applicator and end utilities.
- Once laid, DAKOTA galvanized steel products may come into contact with products of various chemical compositions used for cleaning adjacent surfaces and joints;
- The places where they are laid can present different levels and situations of high environmental corrosiveness;

Laboratory tests have led to the conclusion that both laying and cleaning products with Ph less than 6 or greater than 11 can compromise the zinc coating and trigger the oxidation process of the steel, to the point of causing deterioration and ultimately the destruction of the item.

Therefore, it is critical that::

- The installer as well as the end user thoroughly check in advance the manufacturer's technical specifications of the bonding and/or cleaning products to be used
- The installer provides protection for galvanized steel parts so that they do not come into contact with bonding and/or grouting and/or cleaning materials that can damage them
- The designer, installer, maintainer and even the end user are aware of using stainless steel items, as an alternative to galvanized steel items, in places where environmental corrosivity is high.

5. TECHNICAL SPECIFICATION

Item	Description	U.M.	Price
Dak.D.ZIN05.6755	Supply and installation of Galvanized steel recessed cover available in sizes 250 x 129 x h. 80 mm. Made of galvanized steel. Metal sheet thickness: 10/10. Used to allow inspection and maintenance of the catch-pit and to “camouflage” its presence. The size is suitable for use with MIDI or Taurus channels.	Pc.	-