

# ALUMINUM ANGLE BEAD



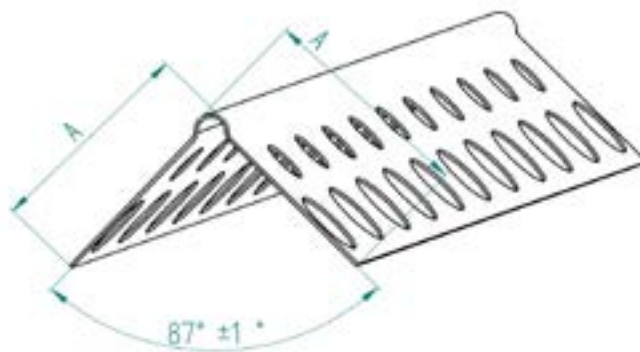
## INDEX

- 1. Registry code
- 2. Description
- 3. Use
- 4. Technical specification

## 1. REGISTRY CODE

Code	Description	Measures (mm)	Weight	Color	Pkg. / Pallet
ZIN31-1662B	Aluminum angle bead	25 x 25 x 0,4 x 2.500	25,00 kg/cf.	Steel	500 m / 44 pkg.

**MATERIAL** Made of aluminum



Features	Measure unit	Data	Tolerance
Profile dimensions (A)	mm	25 x 25	± 1,0
Slab thickness	mm	0,40	± 0,02
Profile length	mm	2.500	± 5
Packaging	m	500	-

## 2. DESCRIPTION

Corn bead perforated on both sides. Packed in boxes.

## 3. USE

Used to protect/reinforce the corners of plasterboard sheets and also in plasters in interior renovation.

## 4. TECHNICAL SPECIFICATION

Item	Description	U.M.	Price
<b>Dak.B.ZIN31.1662B</b>	Supply and installation of Angular perforated on both sides. Shoulder dimensions 25 x 25 mm and thickness of 0.45 mm. Packaged in boxes. Made of aluminum. Used to protect/reinforce corners of plasterboard sheets and also in plasters in interior room renovations. Dimensions 25 x 25 x 2,500 mm.....	pkg.	-