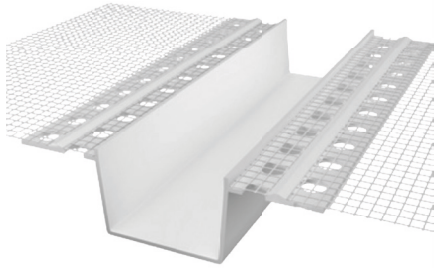


PVC PROFILE FOR GROOVES WITH MESH



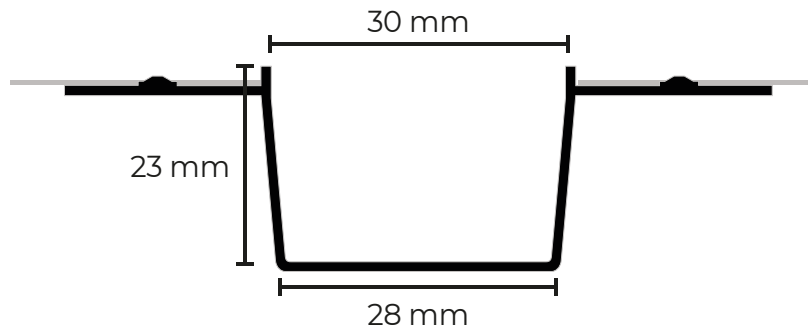
INDEX

1. Code registry
2. Description
3. Use
4. Technical specification

1. CODE REGISTRY

Code	Description	Measures (mm)	Weight	Color	Pkg. / Pallet
ZIN32-1687R/50	PVC profile for grooves with mesh 10 x 10	23/30/23 x 2.500	9,14 kg/cf.	White	50 m / 20 pkg.

MATERIAL Made of PVC and equipped with fiberglass mesh strips with a width of 10 cm on each side.



2. DESCRIPTION

Shaped profile to be inserted into the grooves of the insulating panels with heat-sealed fiberglass.

3. USE

Used for the creation of architectural motifs with recesses of various shapes.

The addition of fiberglass avoids cracks to occur and makes possible the positioning of the profile maintaining total system continuity yet allowing a complete overlap with the reinforcing mesh surface.

4. TECHNICAL SPECIFICATION

Item	Description	U.M.	Price
Dak.B.ZIN32.1687R/50	Supply and installation of Shaped profile to be inserted into the grooves of insulation panels with heat-sealed fiberglass mesh. Made of PVC and equipped with strips of fiberglass mesh with a width of 10 cm on each side. Used to enable the creation of architectural patterns with indentations of various shapes. The addition of the fiberglass mesh prevents the formation of cracks and makes it possible to position the profile while maintaining total continuity of the coat system by allowing a complete overlap with the surface reinforcement mesh. Dimensions 23/30/23 x 2.500 mm.....	pkg.	-