

BLUE PLIER PLUS FOR LEVELING WEDGE



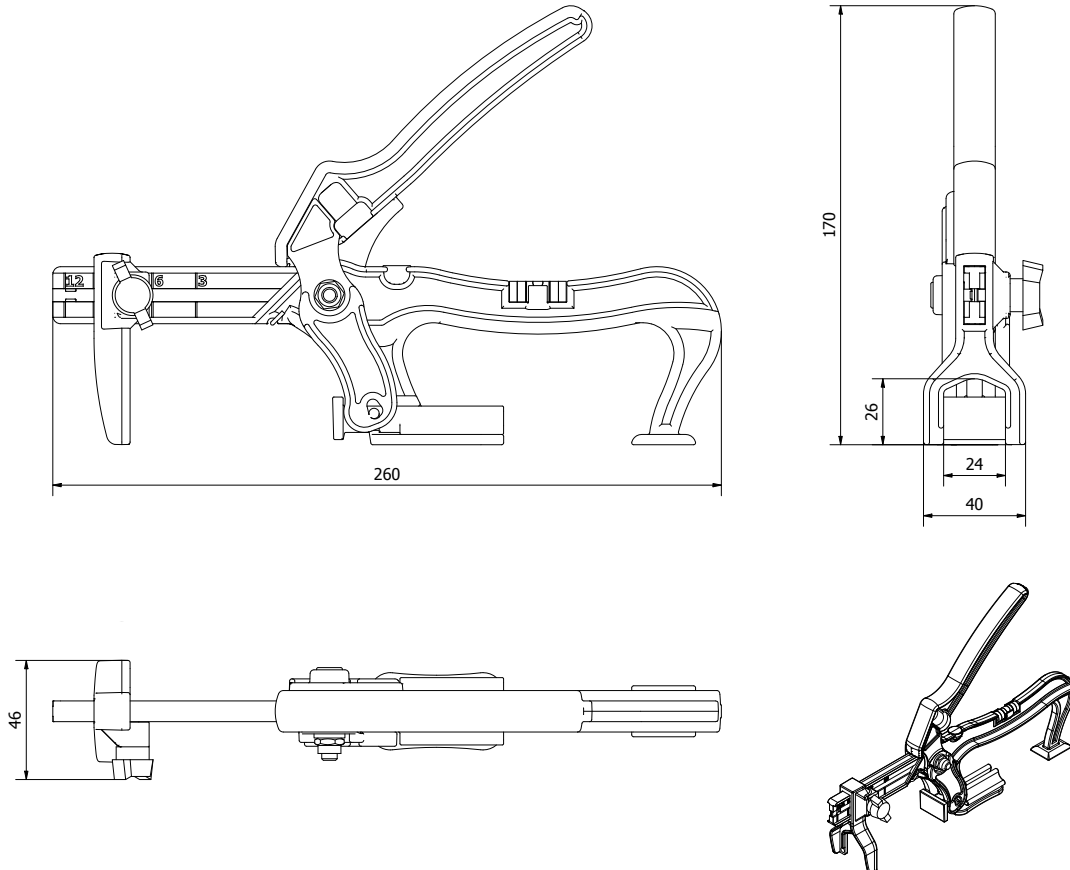
INDEX

1. Code registry
2. Description
3. Use
4. Technical specification

1. CODE REGISTRY

Code	Description	Color	Measure (mm)	Weight (kg/pc.)	Pkg. / Pallet
TER04-4209PBNEW	Blue Plier Plus for leveling wedge	Blu	3 - 12	0,110	70 pcs. / 1.050 pcs.

MATERIAL Made of PA (polyamide) with 50% fiberglass



BLUE PLIER PLUS FOR LEVELING WEDGE

2. DESCRIPTION

Leveling element adjustment plier, compatible with Two Level and One Level wedge systems. The plier, manufactured from fiberglass-reinforced polypropylene, is available in blue color, individually packaged.

3. USE

Used to easily adjust tile leveling wedges.



FACILITATED SUPPORT

Convenience and ease of use due to the ability to stand on the work surface during exercise.

PERFECT ALIGNMENT

Optimized functionality due to the skid that remains parallel to the work surface leading to perfect adhesion between the contact surface between skid and wedge during use.

BUILT-IN SPIRIT LEVEL

Thanks to the built-in spirit level, it is possible to have a tilt index at all times when laying.

EASY ADJUSTMENT

Graduated plier end (3 to 12mm) to highlight the optimal adjustment of the fork according to the thickness of the tile used.*

* The indication for the clevis was calculated for disposable tile elements from 3 to 12mm. A margin of error of 1mm was considered in the indication, so as to easily ensure that the wedge can be inserted into the disposable element even if the position of the element is not optimal.

Regarding the index, the scale on the plier can also be adjusted for 12 to 20mm clips, according to this scheme:

mm	Equivalence (mm)
3	12
6	14
9	16
10	18
12	20

4. TECHNICAL SPECIFICATION

Item	Description	Unit	Price
Dak.I.TER04.4209PBNEW	Supply and installation of plus pliers for leveling wedges Made of PA (polyamide) with 50% fiberglass . Used for laying tile leveling wedges. Individually packaged.	pc.	-
Dak.I.TER04.4209PBNEW	Blue Plier Plus for leveling wedge.....	pc.	-