

# STAINLESS STEEL SIDE TILE FINISHING BRACKETS



## INDEX

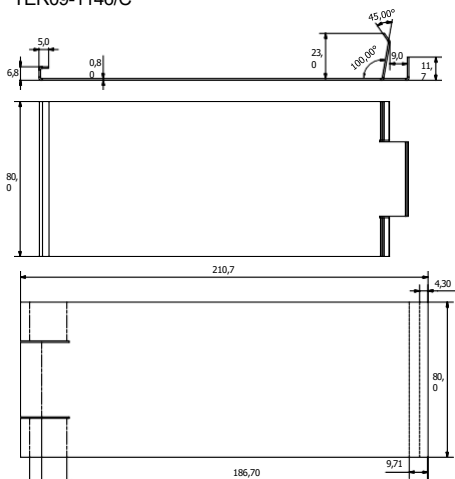
1. Data and Documentation
2. Use
3. Specifications

## 1. DATA AND DOCUMENTATION

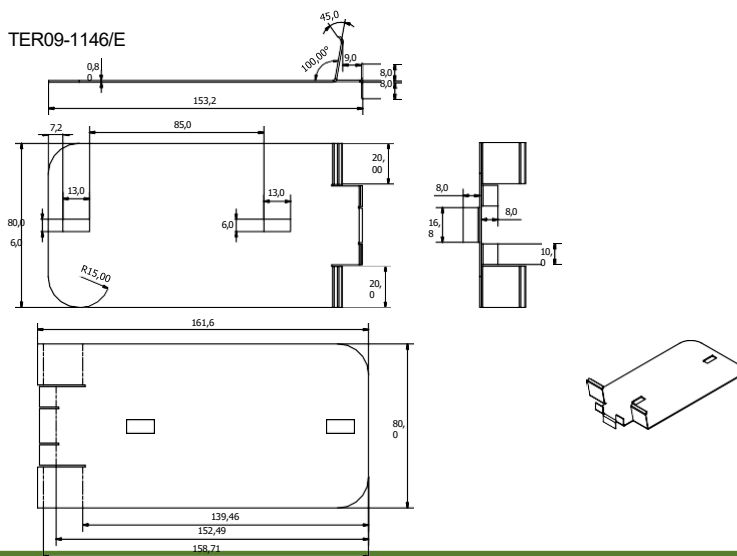
| Code         | Description                               | Dimensions (mm) | Weight       | Pkg. / Pallet    |
|--------------|---|-----------------|--------------|------------------|
| TER09-1146/C | Sub-base bracket for 10 mm side trim      | -               | 0.106 kg/pc. | 80 pcs. / - pcs. |
| TER09-1146/E | Bracket Plate for 10 mm Side Finishing    | -               | 0.079 kg/pc. | 80 pcs. / - pcs. |
| TER09-1146/D | 20 mm Sub-Base Bracket for Side Finishing | -               | 0.107 kg/pc. | 80 pcs. / - pcs. |
| TER09-1146/F | Bracket Plate for 20 mm Side Finishing    | -               | 0.077 kg/pc. | 80 pcs. / - pcs. |

**MATERIAL** Made of stainless steel.

TER09-1146/C

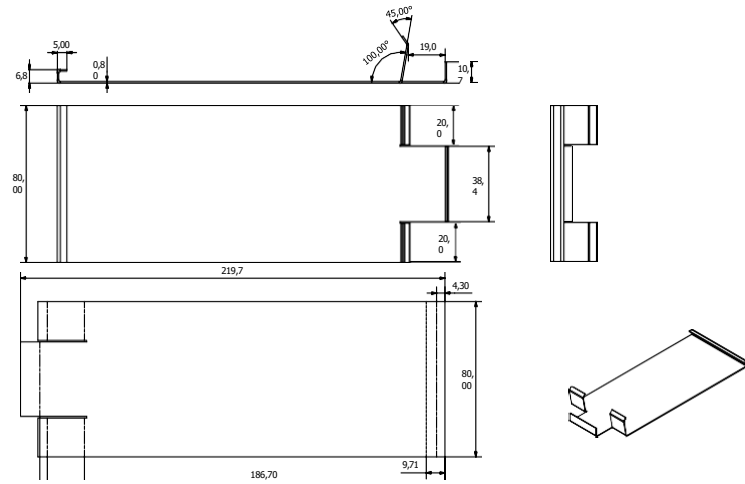


TER09-1146/E

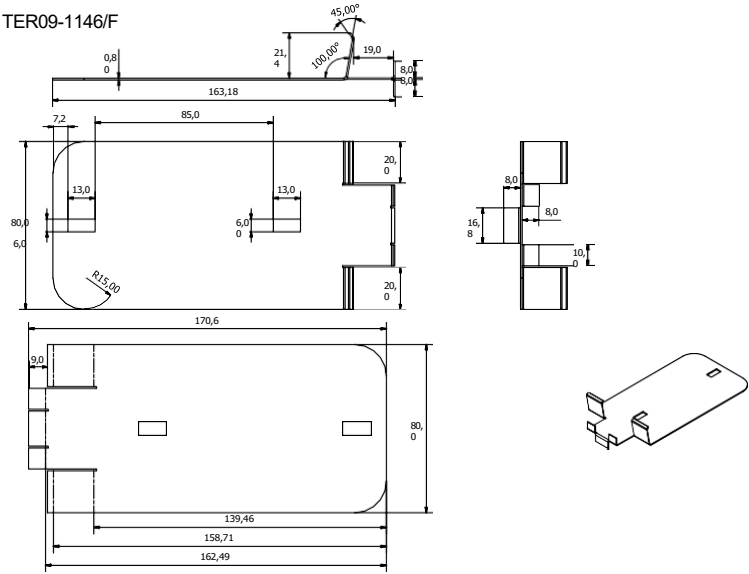


# STAINLESS STEEL SIDE TILE FINISHING BRACKETS

TER09-1146/D



TER09-1146/F



## 2. USE

Used when laying perimeter tiles with Dakota raised floor supports.

## 3. SPECIFICATION ITEMS

| Entry                      | Description  | Unit | Price |
|----------------------------|--|------|-------|
| <b>Dak.D. TER09-1146/x</b> | Supply and installation of Bracket that allows, in the installation of floating floors, the finishing of the perimeter space in the absence of a side retaining wall. Specifically designed for use only with Dakota, Arkimede and Arkimede Nano floating supports. Made of stainless steel. Used for perimeter finishing in the absence of a retaining side wall, when laying raised floors with Arkimede supports. |      |       |
| <b>Dak.D. TER09-1146/C</b> | 10 mm sub-base.....  | pc.  | -     |
| <b>Dak.D. TER09-1146/E</b> | 10 mm plate.....   | pc.  | -     |
| <b>Dak.D. TER09-1146/D</b> | 20 mm sub-base.....  | pc.  | -     |
| <b>Dak.D. TER09-1146/F</b> | 20 mm plate.....   | pc.  | -     |