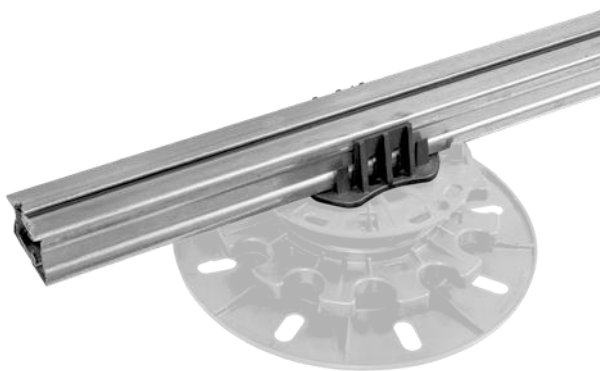


MAGNELIS® MAGATELLO KIT FOR ARKIMEDES



INDEX

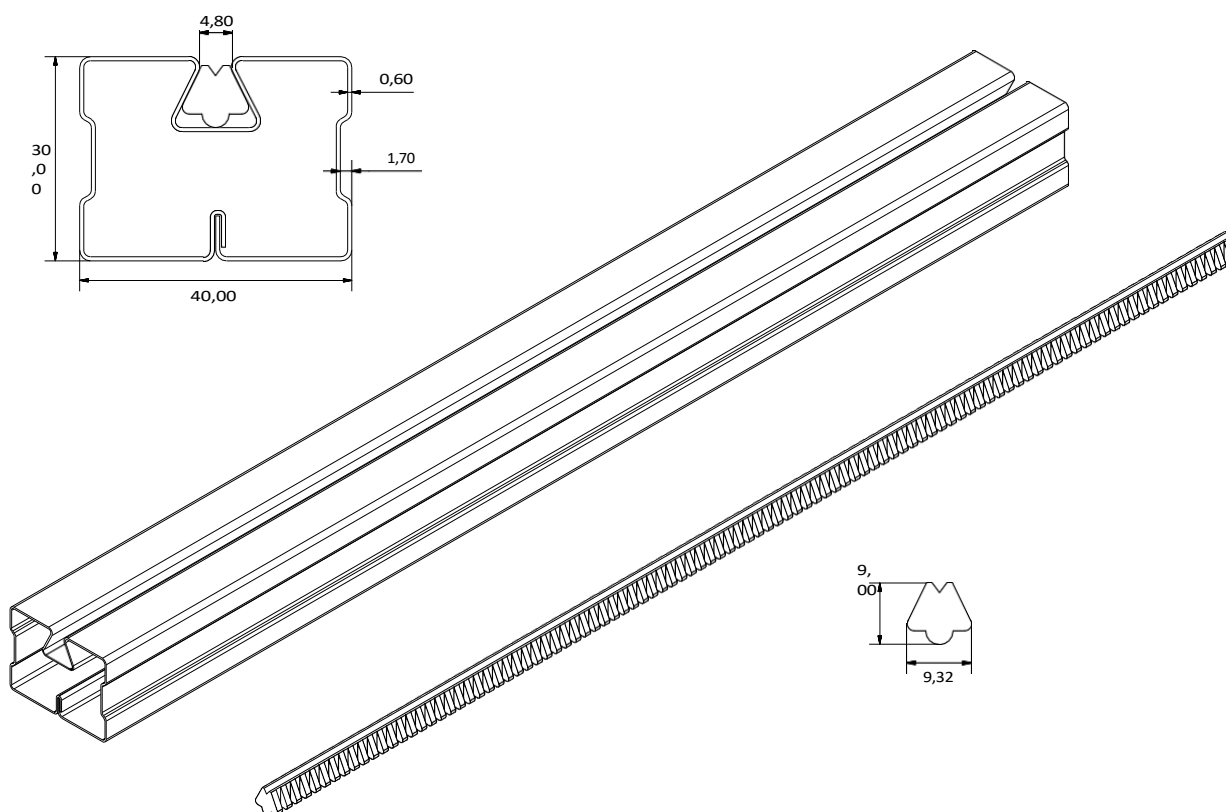
1. Data and Documentation
2. Use
3. Specifications

1. DATA AND DOCUMENTATION

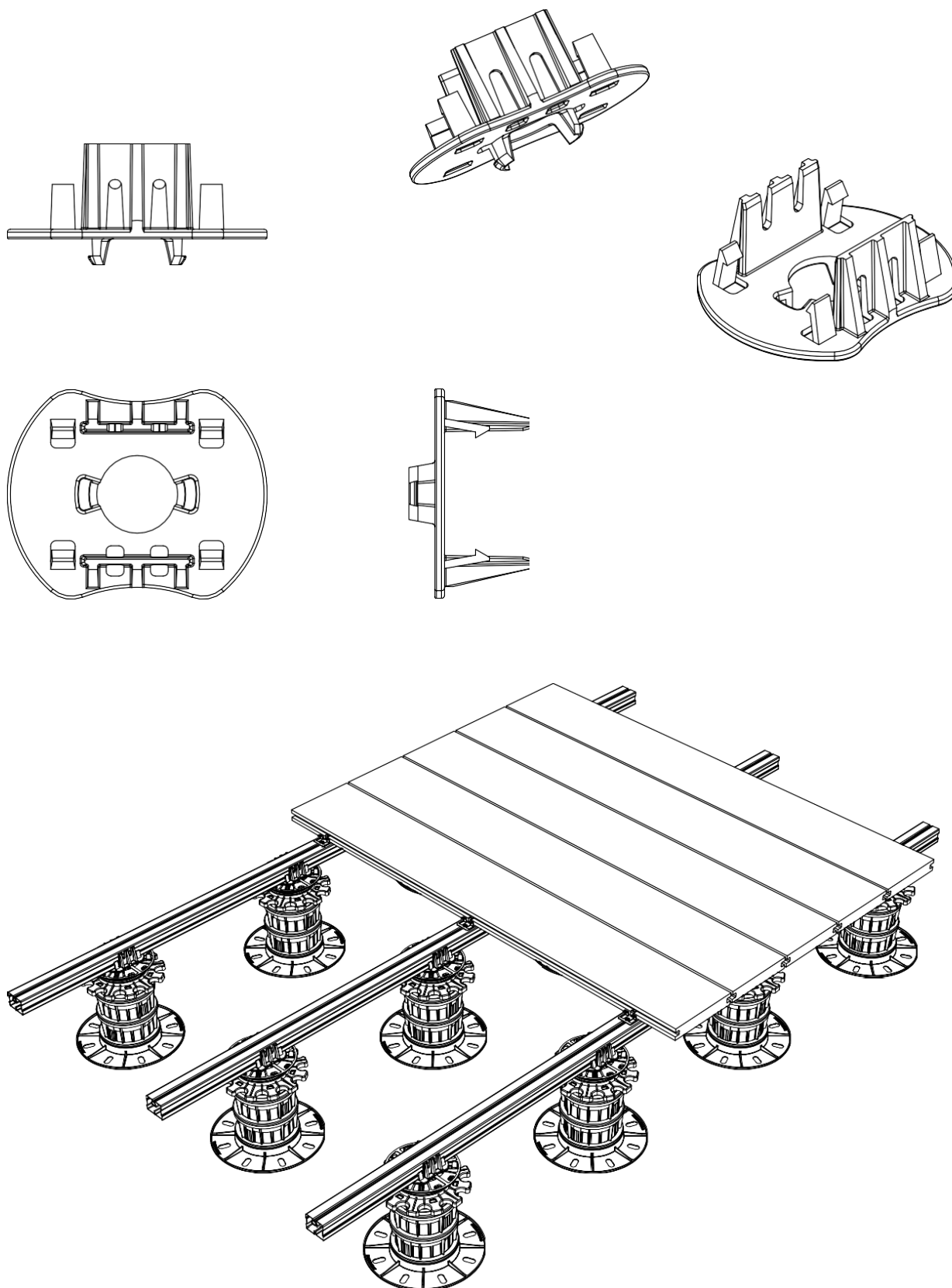
Code	Description	Dimensions (mm)	Weight	Pkg. / Pallet
TER09-1149ZM2	Magnelis® Steel Hammerhead with V-Line	40 x 30 x 2,000	2 kg/pc.	1 pc. / 200 pcs.
TER09-1151	Support for Magatello	-	0.02 kg/pc.	30 pcs. / 6,000 pcs.
MIN01-5200P	Fixala Plus - Phosphated Self-Leading Screw Black Nailhead with adapter	∅ 3.5 x 25	1.36 kg/cf.	1,000 pcs. / 384 cf.

MATERIAL

batten and jig support made of PP (polypropylene), jig made of Magnelis® steel.



MAGNELIS® MAGATELLO KIT FOR ARKIMEDES



MAGNELIS® MAGATELLO KIT FOR ARKIMEDES

2. USE

Used for creating a substructure when laying decking outdoors with Arkimede supports. The insertion of the 'V'-shaped batten into the special template of the batten and its subsequent fastening by means of self-drilling screws guarantees perfect clamping and an optimal seal.
Recommended spacing 50 cm

3. SPECIFICATION ITEMS

Entry	Description	Unit	Price
Dak.O.TER09-11xx	Supply and installation of a kit consisting of Magnelis® steel magatelet with batten and support for hooking and fixing the magatelet for Arkimede. batten and jig holder made of PP (polypropylene), jig made of steel. Used for substructure creation when laying decking outdoors with Arkimede supports. The insertion of the 'V'-shaped batten into the appropriate template and its subsequent fixing by means of self-drilling screws guarantees perfect locking and an optimal seal. Recommended centre distance 50 cm.		
Dak.O.TER09-1149ZM2	MAGatello in Steel Magnelis ® with lath.....	pc.	-
Dak.O.TER09-1151	Mounting bracket for Arkimede.....	pc.	-